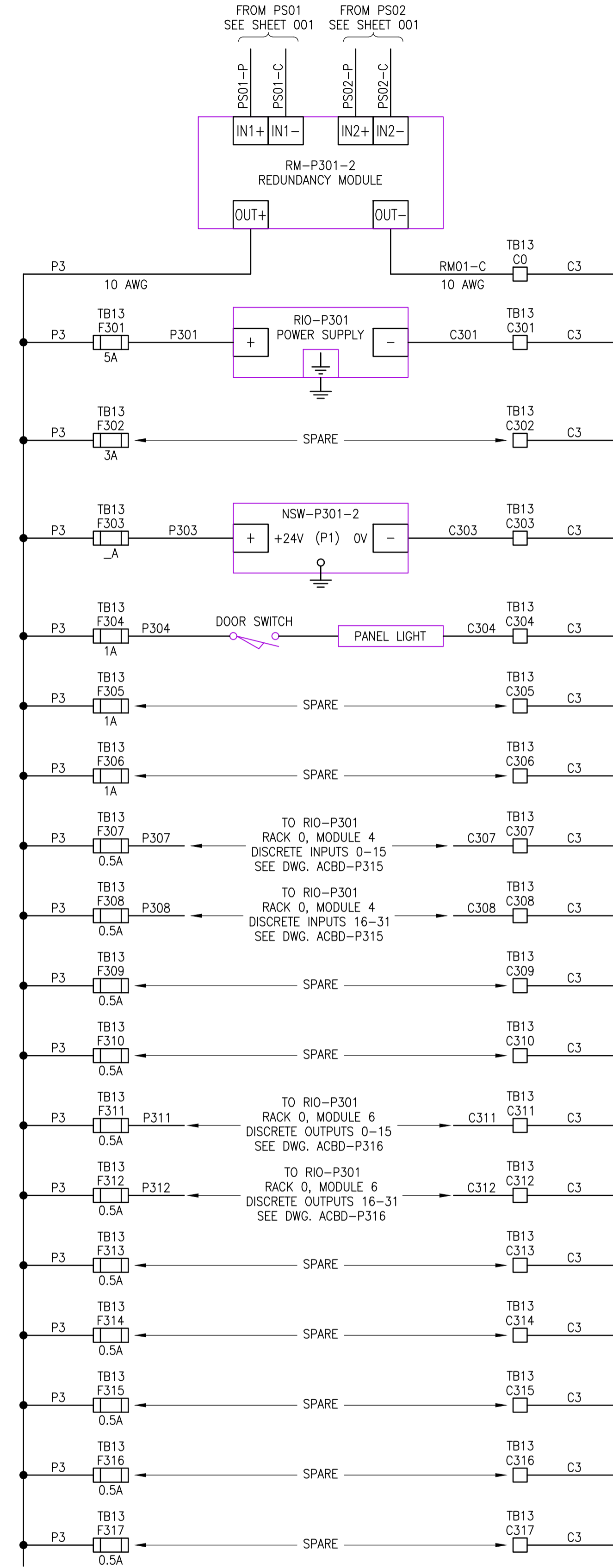


FUSE SCHEDULE			
TB	IDENTIFIER	SIZE	RATING
TB13	F301	5x20mm	5A TD
	F302	5x20mm	3A TD
	F303	5x20mm	T.B.D
	F304	5x20mm	1A FA
	F305	5x20mm	1A FA
	F306	5x20mm	1A FA
	F307	5x20mm	0.5A FA
	F308	5x20mm	0.5A FA
	F309	5x20mm	0.5A FA
	F310	5x20mm	0.5A FA
	F311	5x20mm	0.5A FA
	F312	5x20mm	0.5A FA
	F313	5x20mm	0.5A FA
	F314	5x20mm	0.5A FA
	F315	5x20mm	0.5A FA
F316	5x20mm	0.5A FA	
F317	5x20mm	0.5A FA	

NOTES  
 FA = FAST ACTING  
 TD = TIME DELAY

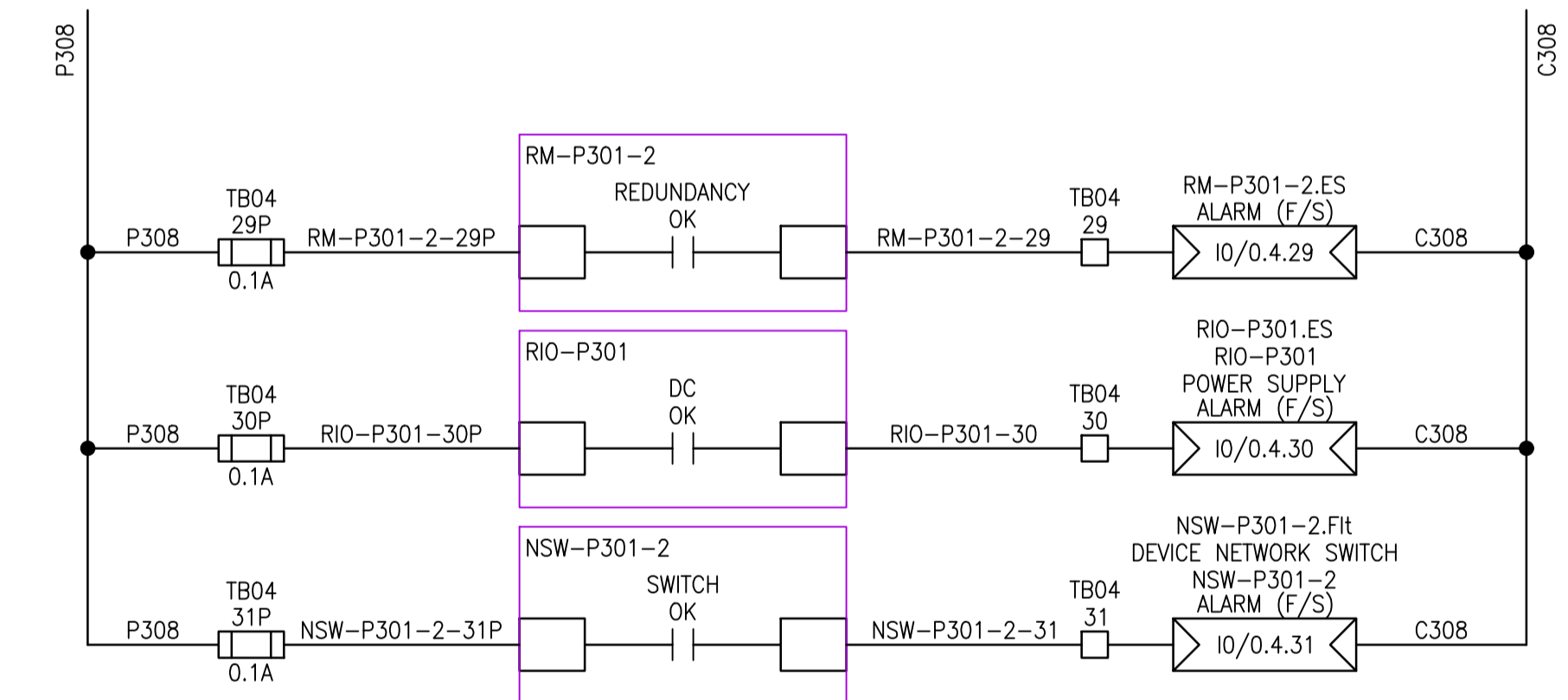
RM-P301-2 POWER CONSUMPTION SCHEDULE AT 24 VDC				
LOAD	QTY.	CURRENT (mA)	SUBTOTAL (mA)	NOTES
RIO-P301	1	1650	1650	1
DISCRETE INPUTS	32	2.5	80	2
DISCRETE OUTPUTS	32	100	3200	2
NETWORK SWITCH	1	T.B.A.	T.B.A.	2
LED24V15	2	500	1000	2
<b>TOTAL</b>			<b>5930</b>	

NOTES  
 1. BASED ON MAXIMUM SUPPLY CURRENT ON POWER SUPPLY DATA SHEET.  
 2. BASED ON DATA SHEET.  
 3. ESTIMATED.



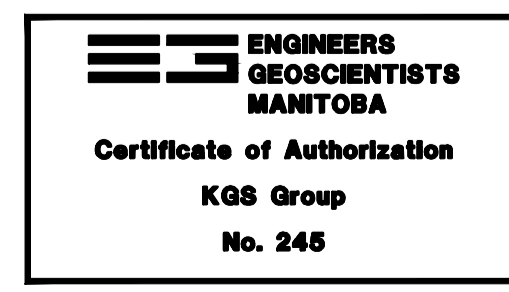
TERMINAL LAYOUT TB13

F301
C301
F302
C302
F303
C303
F304
C304
F305
C305
F306
C306
F307
C307
F308
C308
F309
C309
F310
C310
F311
C311
F312
C312
F313
C313
F314
C314
F315
C315
F316
C316
F317
C317



LEGEND:  
 EQUIPMENT GROUND

REFERENCE DRAWINGS	DESCRIPTION



NO.	REVISIONS	DATE	DESIGN	CHECK
00	ISSUED FOR CONSTRUCTION - 682-2018	2018/08/27	DDW	JAB

**KGS GROUP**  
 CONSULTING ENGINEERS

DESIGNED BY: D. WILSON  
 DRAWN BY: G. NELSON  
 SCALE: AS SHOWN  
 DATE: 2018/07/20

CHECKED BY: J. BOUCHARD  
 APPROVED BY: D. WILSON  
 ISSUED FOR CONSTRUCTION BY: B. STATION  
 DATE: 2018/08/27

CONSULTANT NO.: 1-0102-ACBD-P314-002

ENGINEER'S SEAL

**THE CITY OF WINNIPEG**  
 WATER AND WASTE DEPARTMENT

SOUTH END WATER POLLUTION CONTROL CENTRE  
 TRAVELLING BRIDGES REFURBISHMENT  
 AUTOMATION - POWER DISTRIBUTION SCHEMATIC  
 PRIMARY CLARIFIERS  
 LCP-P301-2, TRAVELLING BRIDGE PLC CABINET - RIO-P301

CITY DRAWING NUMBER: 1-0102-ACBD-P314-002  
 SHEET: 002  
 REV: 00  
 SIZE: A1