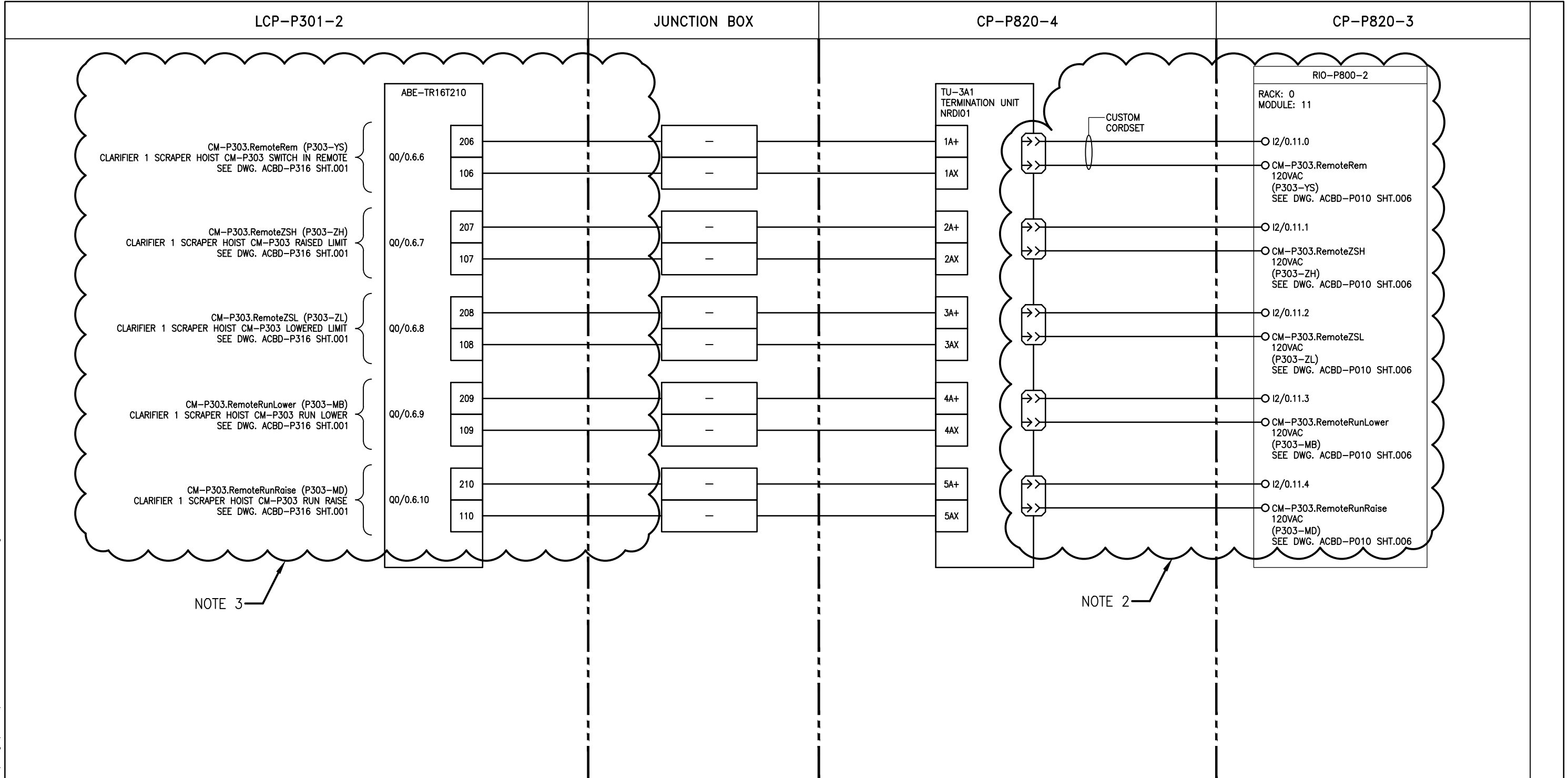


B SIZE - 279mm x 432mm

LAST SAVE: 2018/08/27 - 8:58am
 PATH: P:\Projects\2018\18-0107-007\Dwg\Elec\1-0102-AILD-P305-002.dwg



NOTES

- PREVIOUS IDENTIFIERS ARE SHOWN IN PARENTHESES.
- SCOPE OF WORK NOT A PART OF 682-2018 CONTRACT.
- SCOPE OF WORK INCLUDED WITHIN 682-2018 CONTRACT.



NO.	REVISIONS	DATE	DESIGN	CHECK
00	ISSUED FOR CONSTRUCTION - 682-2018	2018/08/27	DDW	JAB

KGS GROUP CONSULTING ENGINEERS	
DESIGNED BY: D. WILSON	CHECKED BY: J. BOUCHARD
DRAWN BY: D. SHABATAEV	APPROVED BY: D. WILSON
SCALE: NTS	DATE: 2018/07/20
ISSUED FOR CONSTRUCTION	
BY: B. STATION	DATE: 2018/08/27
CONSULTANT NO.: 1-0102-AILD-P305-002	

ENGINEER'S SEAL

THE CITY OF WINNIPEG
 WATER AND WASTE DEPARTMENT

SOUTH END WATER POLLUTION CONTROL CENTRE
 TRAVELLING BRIDGES REFURBISHMENT
 AUTOMATION - LOOP DIAGRAM
 RIO-P301 OUTPUTS / RIO-P800-2 INPUTS
 PRIMARY CLARIFIER 1 TRAVELLING BRIDGE INTERCONNECTION

CITY DRAWING NUMBER	SHEET	REV.	SIZE
1-0102-AILD-P305	002	00	B