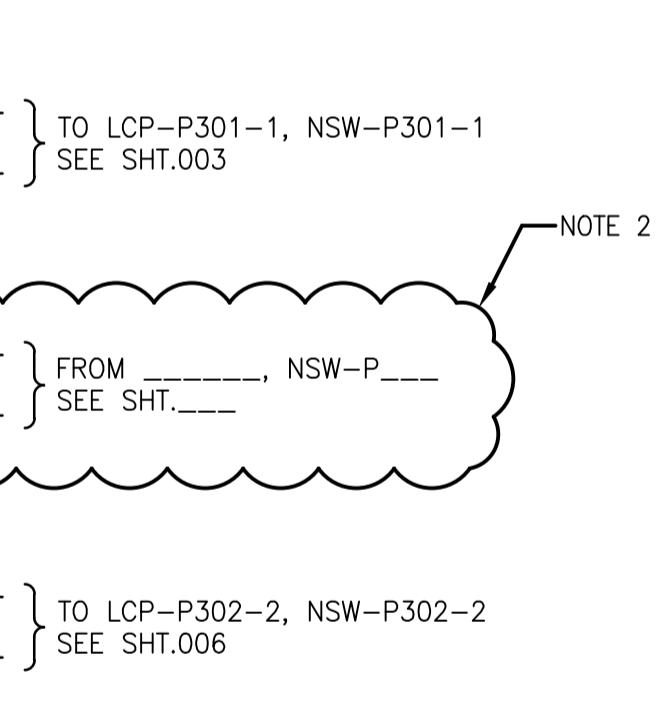


LEGEND:

- RJ45 PORT OR PATCH PANEL
- FIBRE PORT OR PATCH PANEL
- WALL PLATE RJ45 JACK
- CAT6 CABLE, SHIELDED - PART OF DEVICE NETWORK RIO RING
- CAT6 CABLE, SHIELDED - PART OF DEVICE NETWORK DIO SUB-RING
- CAT6 CABLE
- RJ45 CONNECTOR UNSHIELDED
- RJ45 CONNECTOR SHIELDED
- LC FIBRE CONNECTOR

GENERAL NOTES:

1. DEVICE NETWORK RING (OUTGOING AND RETURN) CABLES AND PRIMARY AND SECONDARY CONTROL NETWORK CABLES TO BE RUN WITH A MINIMUM SEPARATION OF 1.22m WHERE CABLES ARE INSTALLED HORIZONTALLY AND 0.3m WHERE THE CABLES ARE INSTALLED VERTICALLY. THE MINIMUM SEPARATION IS NOT REQUIRED WHILE THE CABLES ARE INSIDE CABINETS OR PLINTHS.
2. NOT IN SCOPE OF WORK FOR PROJECT 682-2018.



1-0102-ANET-A005	FACILITY FIBRE ALLOCATION
1-0102-ABDG-P001	CONTROL SYSTEM ARCHITECTURE, PRIMARY CLARIFIERS
REFERENCE DRAWINGS	DESCRIPTION



NO.	REVISIONS	DATE	DESIGN	CHECK
00	ISSUED FOR CONSTRUCTION - 682-2018	2018/08/27	DDW	JAB

KGS GROUP CONSULTING ENGINEERS	
DESIGNED BY: D. WILSON	CHECKED BY: J. BOUCHARD
DRAWN BY: D. SHABATAEV	APPROVED BY: D. WILSON
SCALE: NTS	ISSUED FOR CONSTRUCTION BY: B. STATION
DATE: 2018/07/20	DATE: 2018/08/27
CONSULTANT NO.: 1-0102-ANET-P003-004	

ENGINEER'S SEAL

THE CITY OF WINNIPEG WATER AND WASTE DEPARTMENT			
SOUTH END WATER POLLUTION CONTROL CENTRE SEWPCU UPGRADING/EXPANSION PROJECT AUTOMATION - NETWORK DIAGRAM PRIMARY CLARIFIERS DEVICE NETWORK			
CITY DRAWING NUMBER	SHEET	REV.	SIZE
1-0102-ANET-P003	004	00	A1