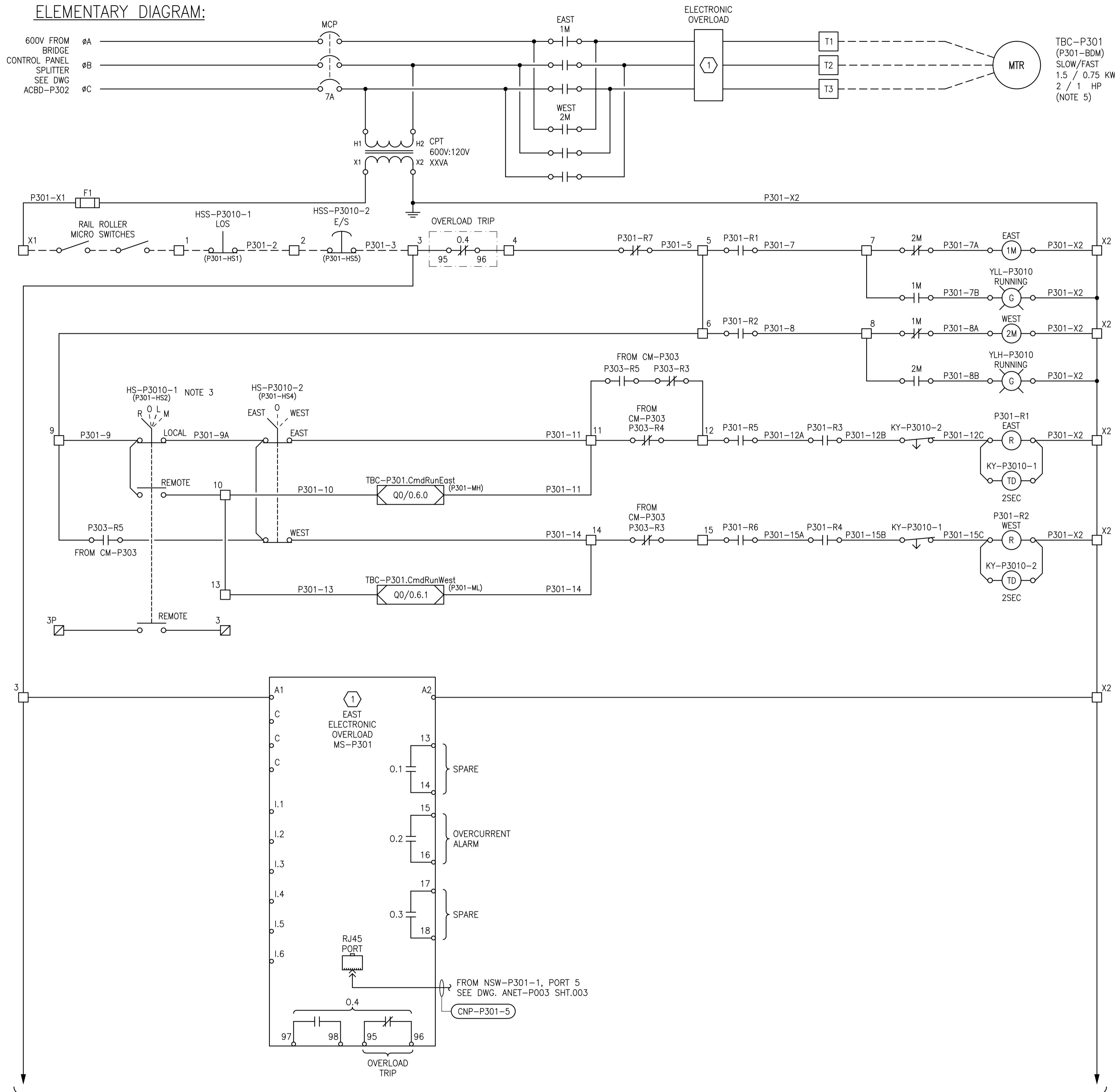


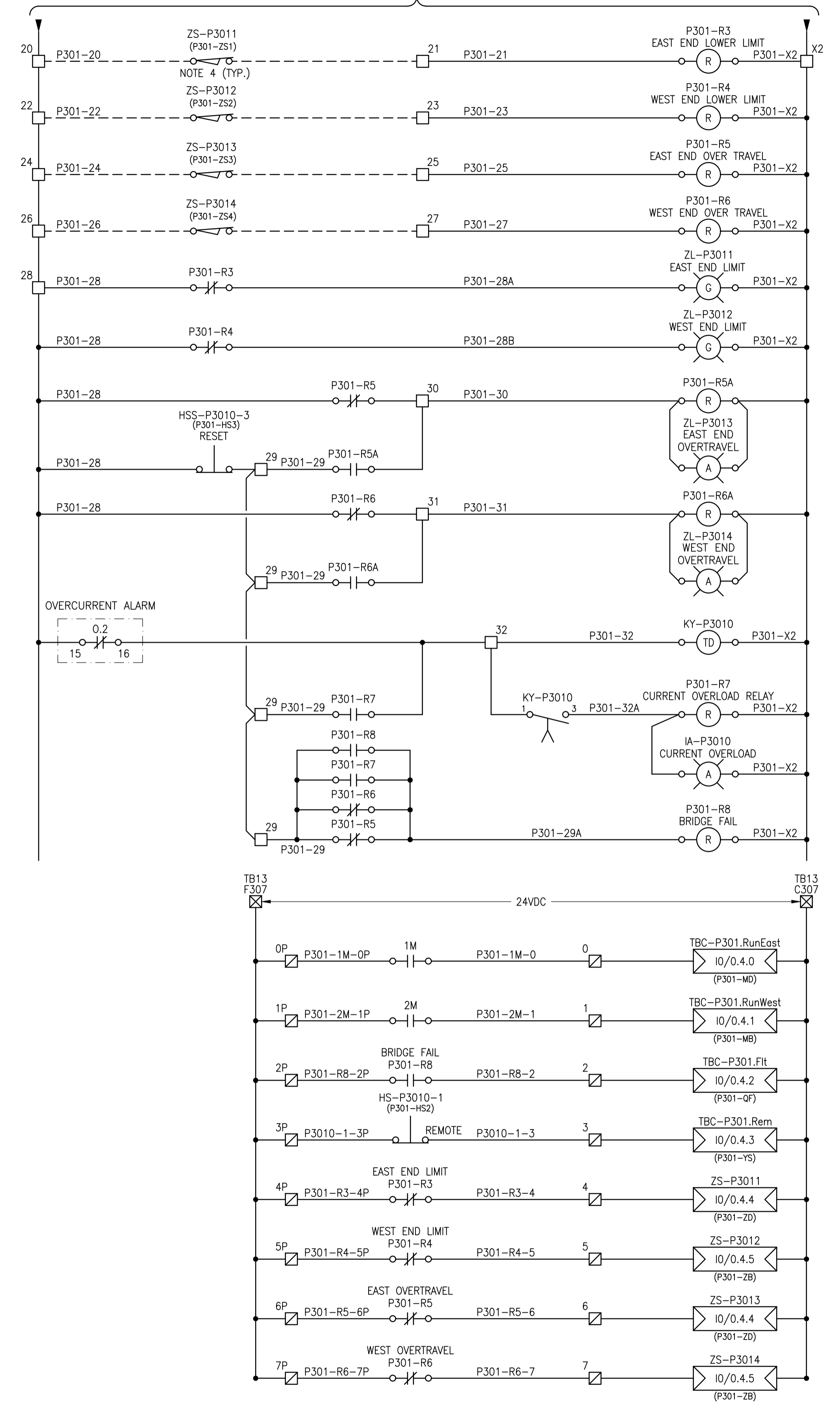
A1 SIZE - 594mm x 841mm

ELEMENTARY DIAGRAM:



TBC-P301  
(P301-BDM)  
SLOW/FAST  
1.5 / 0.75 KW  
2 / 1 HP  
(NOTE 5)

CONTINUED FROM LEFT



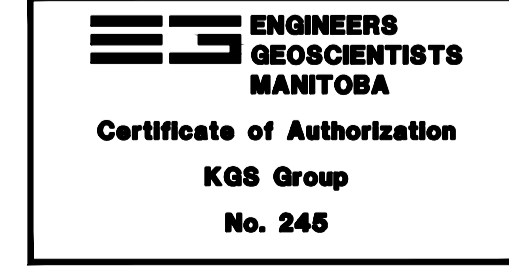
CONTINUED AT RIGHT

NOTES

- THIS DRAWING SUPERCEDES SEP-1056, SEP-1057, SEP-1058 AND PART OF SEP-1053.
- PREVIOUS IDENTIFIERS ARE SHOWN IN PARENTHESES.
- REMOTE, OFF, LOCAL, MAINTENANCE CONTROL FOR DRIVE AND HOIST ALL ON THE SAME SWITCH.
- LIMIT SWITCHES SHOWN IN NON-ACTIVATED STATE.
- MOTOR WIRED FOR SLOW SPEED OPERATION ONLY.

LEGEND:

<input type="checkbox"/> LCP-P301-1, TB-P301 TERMINAL	<input type="checkbox"/> PLC-P301 OUTPUT
<input checked="" type="checkbox"/> LCP-P301-1, TB04 TERMINAL	<input type="checkbox"/> PLC-P301 INPUT
<input checked="" type="checkbox"/> LCP-P301-1, TB13 TERMINAL	



NO.	REVISIONS	DATE	DESIGN	CHECK
01	RE-ISSUED FOR CONSTRUCTION-682-2018	2018/08/27	DDW	JAB
00	ISSUED FOR CONSTRUCTION - 976-2016	2017/04/05	SSB	TMC

<b>KGS GROUP</b> CONSULTING ENGINEERS	
DESIGNED BY: D. WILSON	CHECKED BY: J. BOUCHARD
DRAWN BY: D. SHABATAEV	APPROVED BY: D. WILSON
SCALE: NTS	ISSUED FOR CONSTRUCTION BY: B. STATION
DATE: 2018/07/20	DATE: 2018/08/27
CONSULTANT NO.: 1-0102-EMCL-P301-001	

ENGINEER'S SEAL

**THE CITY OF WINNIPEG**  
WATER AND WASTE DEPARTMENT

SOUTH END WATER POLLUTION CONTROL CENTRE  
SEWPCU UPGRADING/EXPANSION PROJECT  
ELECTRICAL - MOTOR STARTER SCHEMATIC  
TBC-P301  
PRIMARY CLARIFIER 1 TRAVELLING BRIDGE COLLECTOR

CITY DRAWING NUMBER: 1-0102-EMCL-P301-001 | SHEET: 01 | REV: 01 | SIZE: A1

LAST SAVE: 2018/08/27 - 10:02am  
PATH: P:\Projects\2018\18-0107-007 Dwg [Elec] - 0102-EMCL-P301-001.dwg