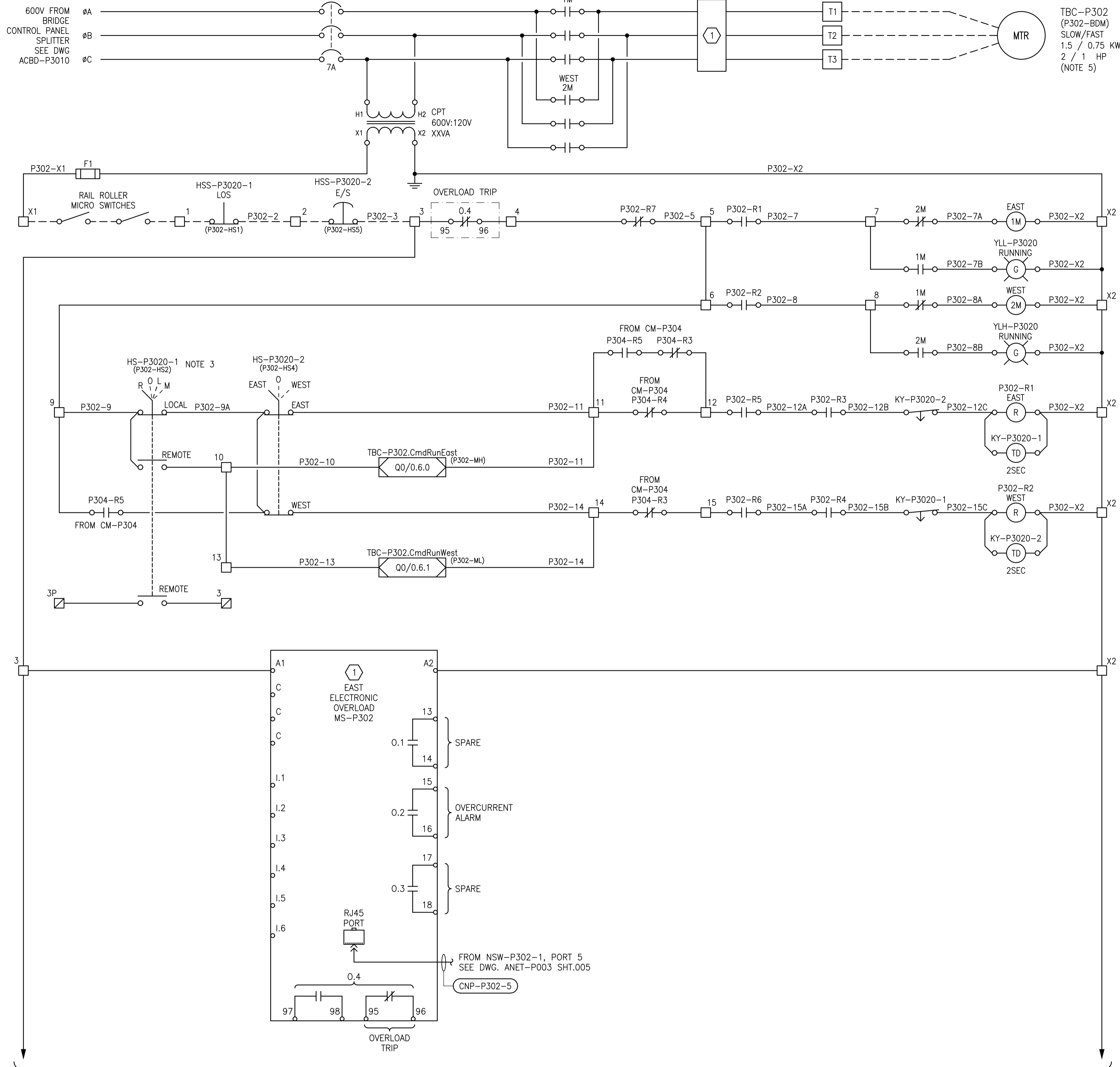


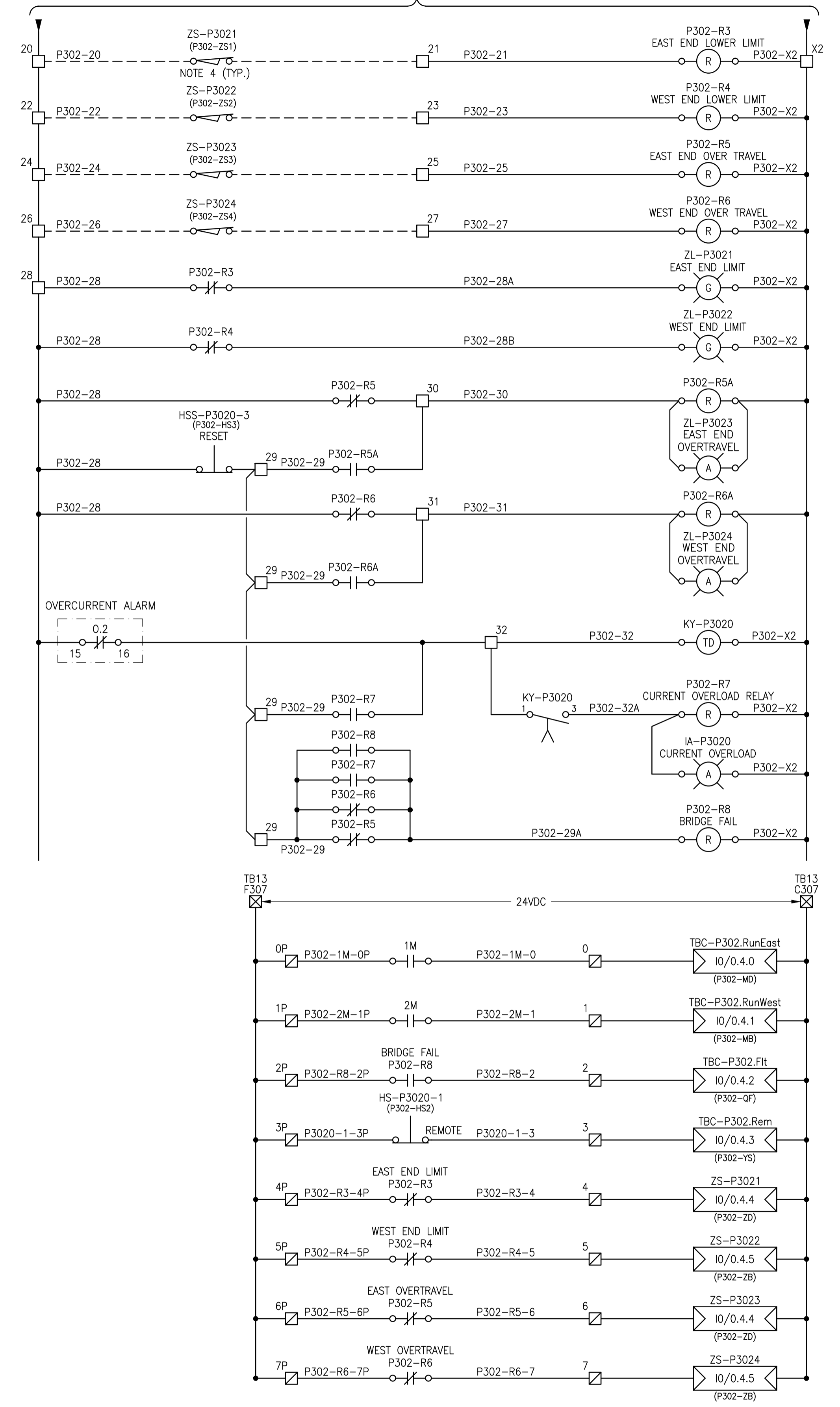
A1 SIZE - 594mm x 841mm

ELEMENTARY DIAGRAM:



TBC-P302
(P302-BDM)
SLOW/FAST
1.5 / 0.75 KW
2 / 1 HP
(NOTE 5)

CONTINUED FROM LEFT



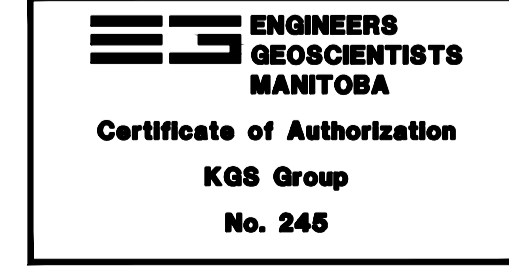
CONTINUED AT RIGHT

NOTES

- THIS DRAWING SUPERCEDES SEP-1065, SEP-1066, SEP-1067 AND PART OF 1063.
- PREVIOUS IDENTIFIERS ARE SHOWN IN PARENTHESES.
- REMOTE, OFF, LOCAL, MAINTENANCE CONTROL FOR DRIVE AND HOIST ALL ON THE SAME SWITCH.
- LIMIT SWITCHES SHOWN IN NON-ACTIVATED STATE.
- MOTOR WIRED FOR SLOW SPEED OPERATION ONLY.

LEGEND:

<input type="checkbox"/> LCP-P302-1, TB-P302 TERMINAL	<input type="checkbox"/> PLC-P302 OUTPUT
<input checked="" type="checkbox"/> LCP-P302-1, TB04 TERMINAL	<input type="checkbox"/> PLC-P302 INPUT
<input checked="" type="checkbox"/> LCP-P302-1, TB13 TERMINAL	



NO.	REVISIONS	DATE	DESIGN	CHECK
01	RE-ISSUED FOR CONSTRUCTION-682-2018	2018/08/27	DDW	JAB
00	ISSUED FOR CONSTRUCTION - 976-2016	2017/04/05	SSB	TMC

KGS GROUP
CONSULTING ENGINEERS

DESIGNED BY: D. WILSON
DRAWN BY: D. SHABATAEV
SCALE: NTS
DATE: 2018/07/20

CHECKED BY: J. BOUCHARD
APPROVED BY: D. WILSON
ISSUED FOR CONSTRUCTION BY: B. STATION
DATE: 2018/08/27

CONSULTANT NO.: 1-0102-EMCL-P302-001

ENGINEER'S SEAL

THE CITY OF WINNIPEG
WATER AND WASTE DEPARTMENT

SOUTH END WATER POLLUTION CONTROL CENTRE
SEWPC UPGRADING/EXPANSION PROJECT
ELECTRICAL - MOTOR STARTER SCHEMATIC
TBC-P302
PRIMARY CLARIFIER 2 TRAVELLING BRIDGE COLLECTOR

CITY DRAWING NUMBER: 1-0102-EMCL-P302
SHEET: 001
REV: 01
SIZE: A1

LAST SAVE: 2018/08/27 - 10:02am
PATH: P:\Projects\2018\18-0107-007 Dwg [Elec] - 0102-EMCL-P302-001.dwg