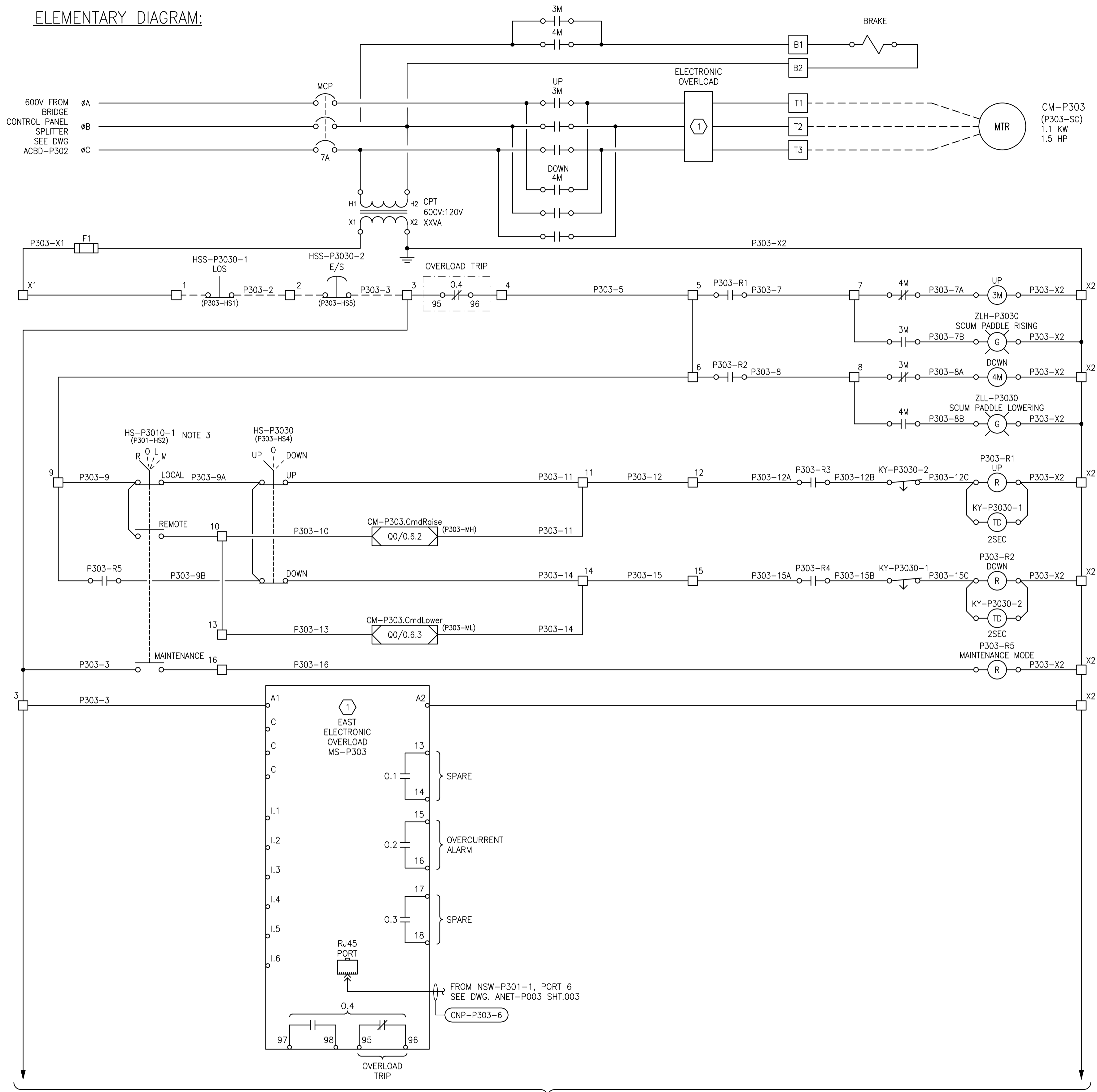
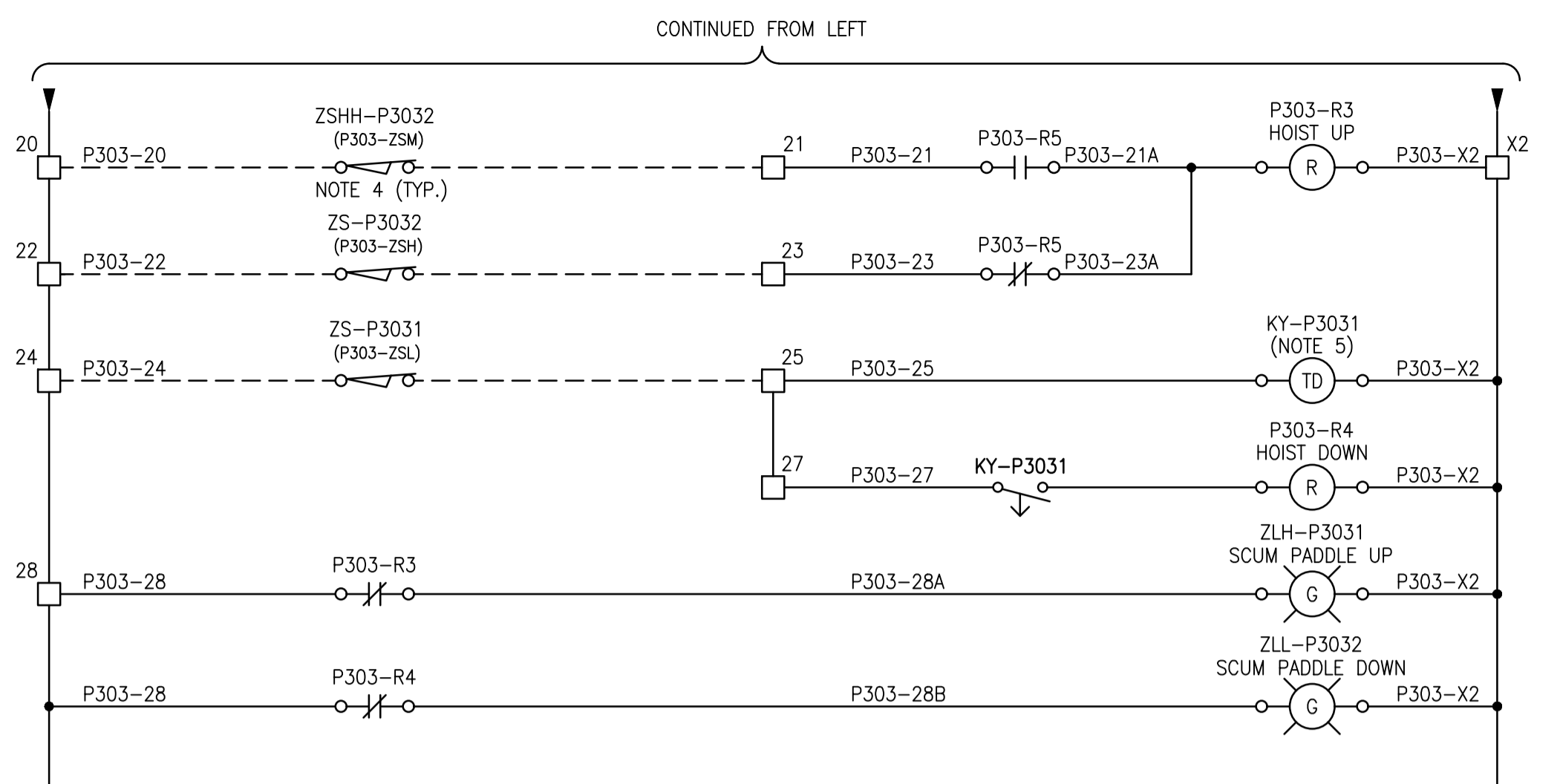


A1 SIZE - 594mm x 841mm

ELEMENTARY DIAGRAM:

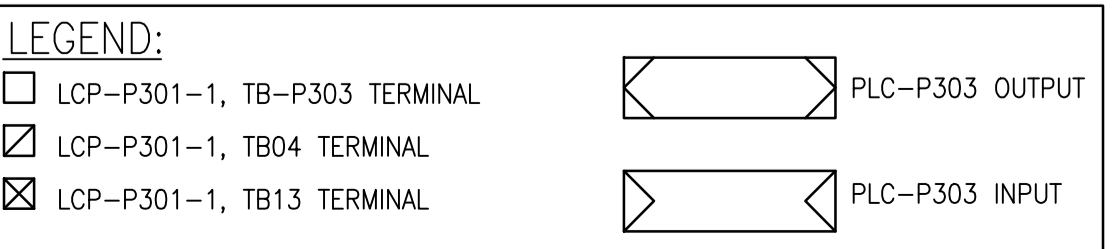


CONTINUED AT RIGHT



CONTINUED FROM LEFT

- NOTES**
- THIS DRAWING SUPERCEDES SEP-1059, SEP-1060.
 - PREVIOUS IDENTIFIERS ARE SHOWN IN PARENTHESES.
 - REMOTE, OFF, LOCAL, MAINTENANCE CONTROL FOR DRIVE AND HOIST ALL ON THE SAME SWITCH.
 - LIMIT SWITCHES SHOWN IN NON-ACTIVATED STATE.
 - OFF DELAY TIMER TO ALLOW CABLE SLACK.



NO.	REVISIONS	DATE	DESIGN	CHECK
01	RE-ISSUED FOR CONSTRUCTION-682-2018	2018/08/27	DDW	JAB
00	ISSUED FOR CONSTRUCTION - 976-2016	2017/04/05	SSB	TMC

KGS GROUP
CONSULTING ENGINEERS

DESIGNED BY: D. WILSON
DRAWN BY: D. SHABATAEV
SCALE: NTS
DATE: 2018/07/20
CONSULTANT NO.: 1-0102-EMCL-P303-001

CHECKED BY: J. BOUCHARD
APPROVED BY: D. WILSON
ISSUED FOR CONSTRUCTION BY: B. STATION
DATE: 2018/08/27

ENGINEER'S SEAL

THE CITY OF WINNIPEG
WATER AND WASTE DEPARTMENT

SOUTH END WATER POLLUTION CONTROL CENTRE
SEWPCC UPGRADING/EXPANSION PROJECT
ELECTRICAL - MOTOR STARTER SCHEMATIC
CM-P303
PRIMARY CLARIFIER 1 COLLECTOR MECHANISM

CITY DRAWING NUMBER: 1-0102-EMCL-P303
SHEET: 001
REV: 01
SIZE: A1

LAST SAVE: 2018/08/27 - 10:02am
PATH: P:\Projects\2018\18-0107-007 Dwg [Elec]\1-0102-EMCL-P303-001.dwg