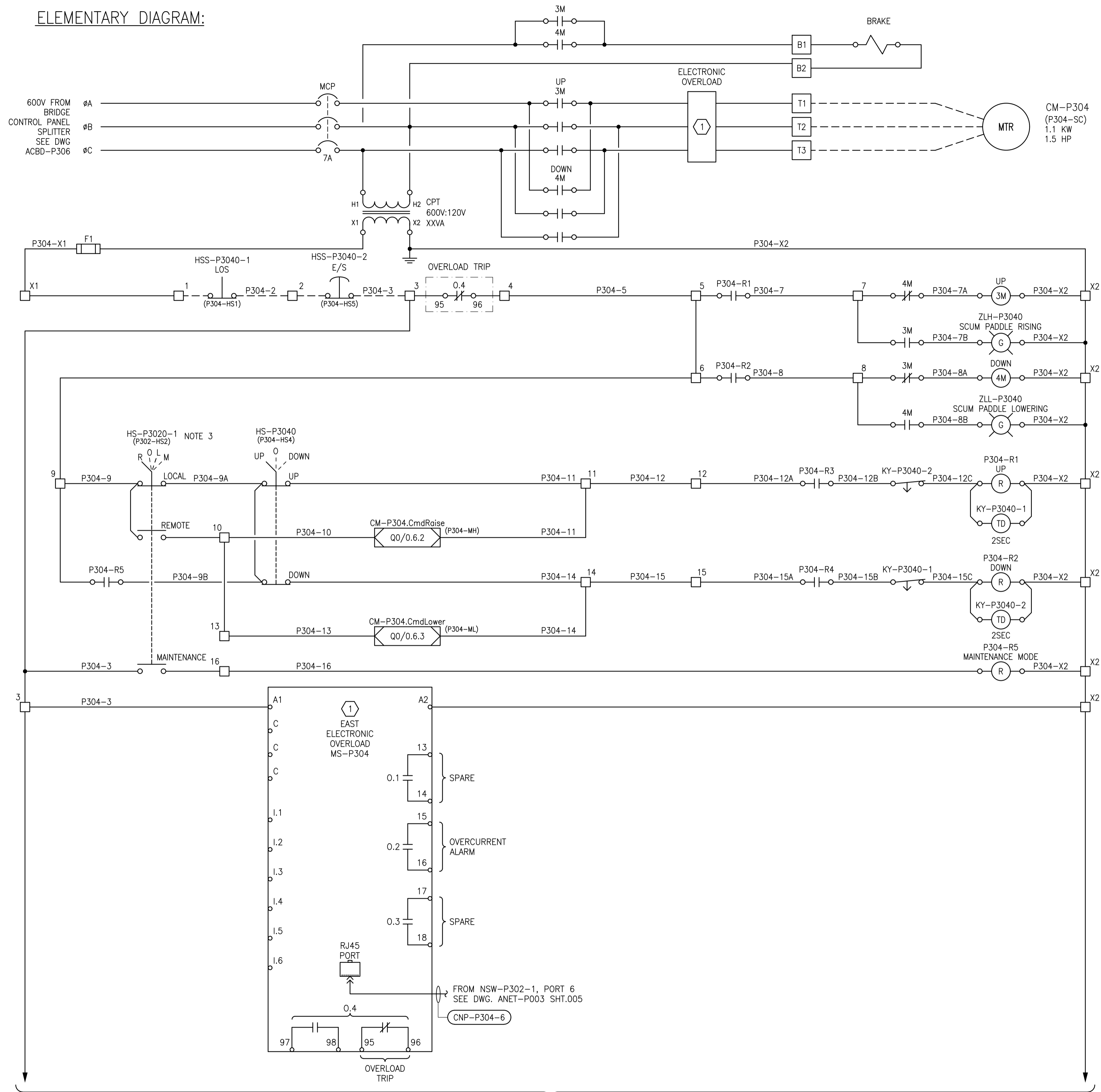
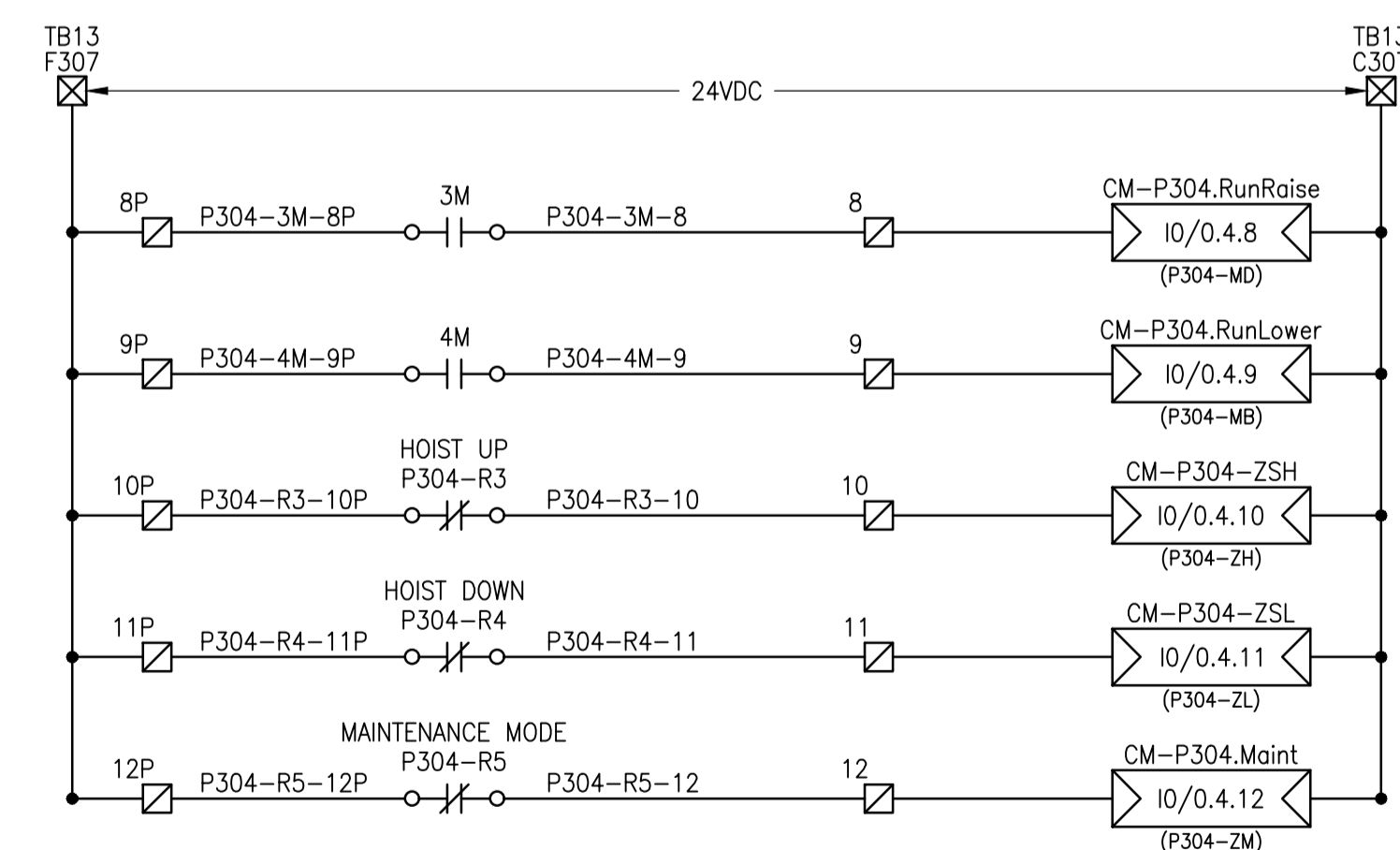
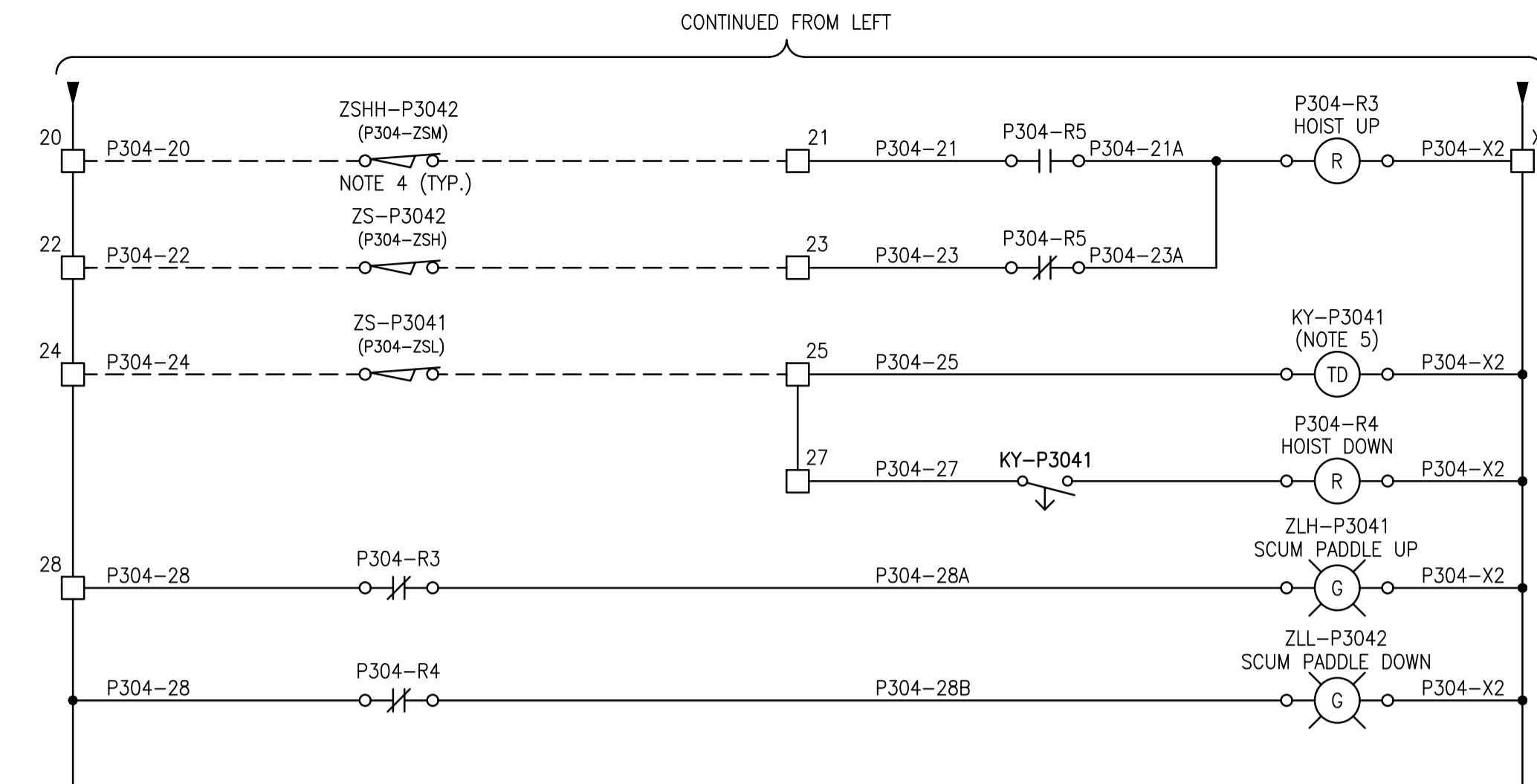


ELEMENTARY DIAGRAM:



CONTINUED AT RIGHT



NOTES

- THIS DRAWING SUPERCEDES SEP-1068, SEP-1069.
- PREVIOUS IDENTIFIERS ARE SHOWN IN PARENTHESES.
- REMOTE, OFF, LOCAL, MAINTENANCE CONTROL FOR DRIVE AND HOIST ALL ON THE SAME SWITCH.
- LIMIT SWITCHES SHOWN IN NON-ACTIVATED STATE.
- OFF DELAY TIMER TO ALLOW CABLE SLACK.

LEGEND:

- LCP-P301-1, TB-P304 TERMINAL
- LCP-P301-1, TB04 TERMINAL
- LCP-P301-1, TB13 TERMINAL
- PLC-P304 OUTPUT
- PLC-P304 INPUT



| NO. | REVISIONS | DATE | DESIGN | CHECK |
|-----|-------------------------------------|------------|--------|-------|
| 01 | RE-ISSUED FOR CONSTRUCTION-682-2018 | 2018/08/27 | DDW | JAB |
| 00 | ISSUED FOR CONSTRUCTION - 976-2016 | 2017/04/05 | SSB | TMC |

| | |
|--|---|
| KGS GROUP CONSULTING ENGINEERS | |
| DESIGNED BY: D. WILSON | CHECKED BY: J. BOUCHARD |
| DRAWN BY: D. SHABATAEV | APPROVED BY: D. WILSON |
| SCALE: NTS | ISSUED FOR CONSTRUCTION BY: B. STATION |
| DATE: 2018/07/20 | DATE: 2018/08/27 |
| CONSULTANT NO.: 1-0102-EMCL-P304-001 | |

ENGINEER'S SEAL

THE CITY OF WINNIPEG
WATER AND WASTE DEPARTMENT

SOUTH END WATER POLLUTION CONTROL CENTRE
SEWPCC UPGRADING/EXPANSION PROJECT
ELECTRICAL - MOTOR STARTER SCHEMATIC
CM-P304
PRIMARY CLARIFIER 2 COLLECTOR MECHANISM

CITY DRAWING NUMBER: 1-0102-EMCL-P304 001 01 A1

| REFERENCE DRAWINGS | DESCRIPTION |
|--------------------|-------------|
| | |