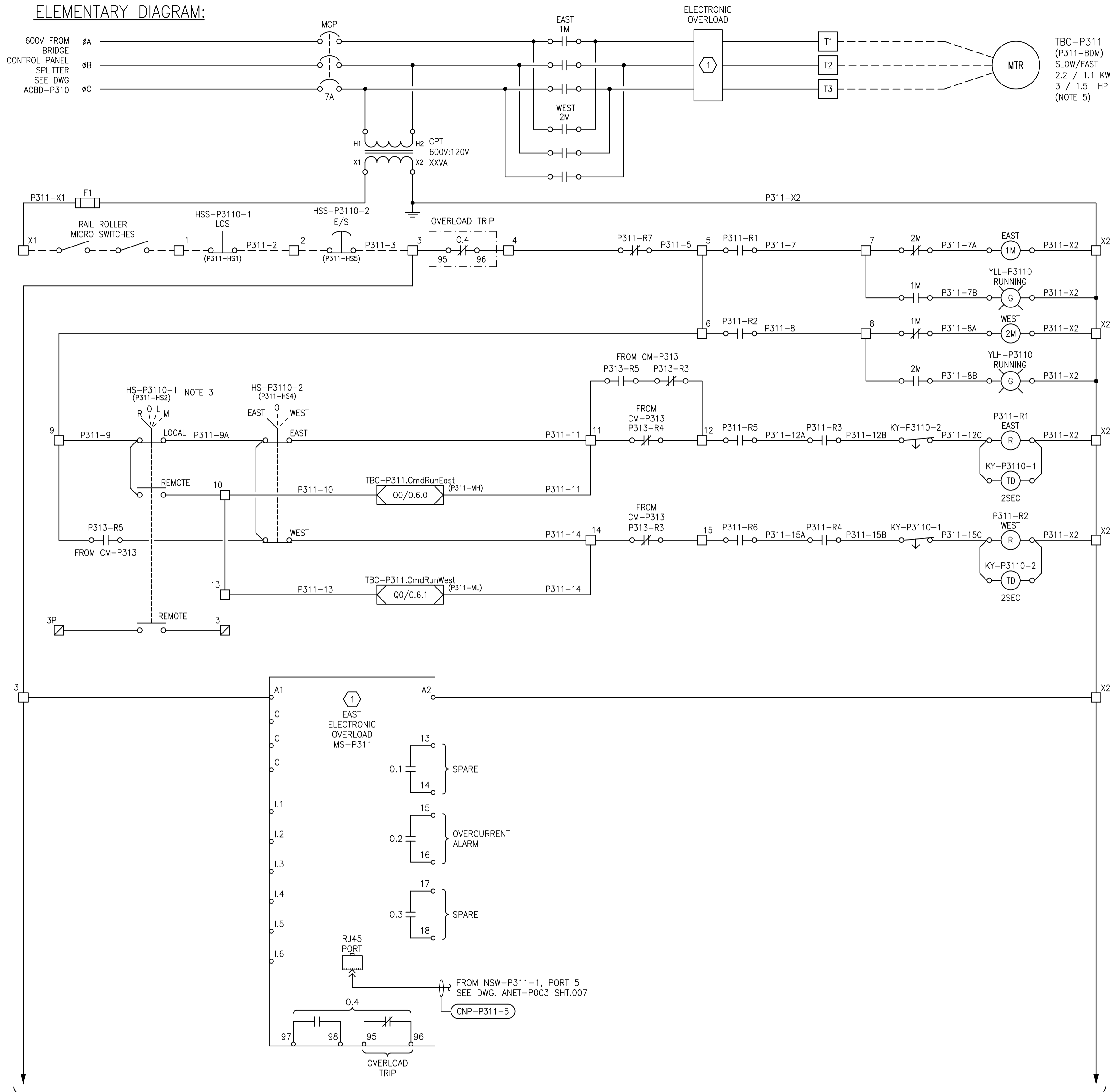


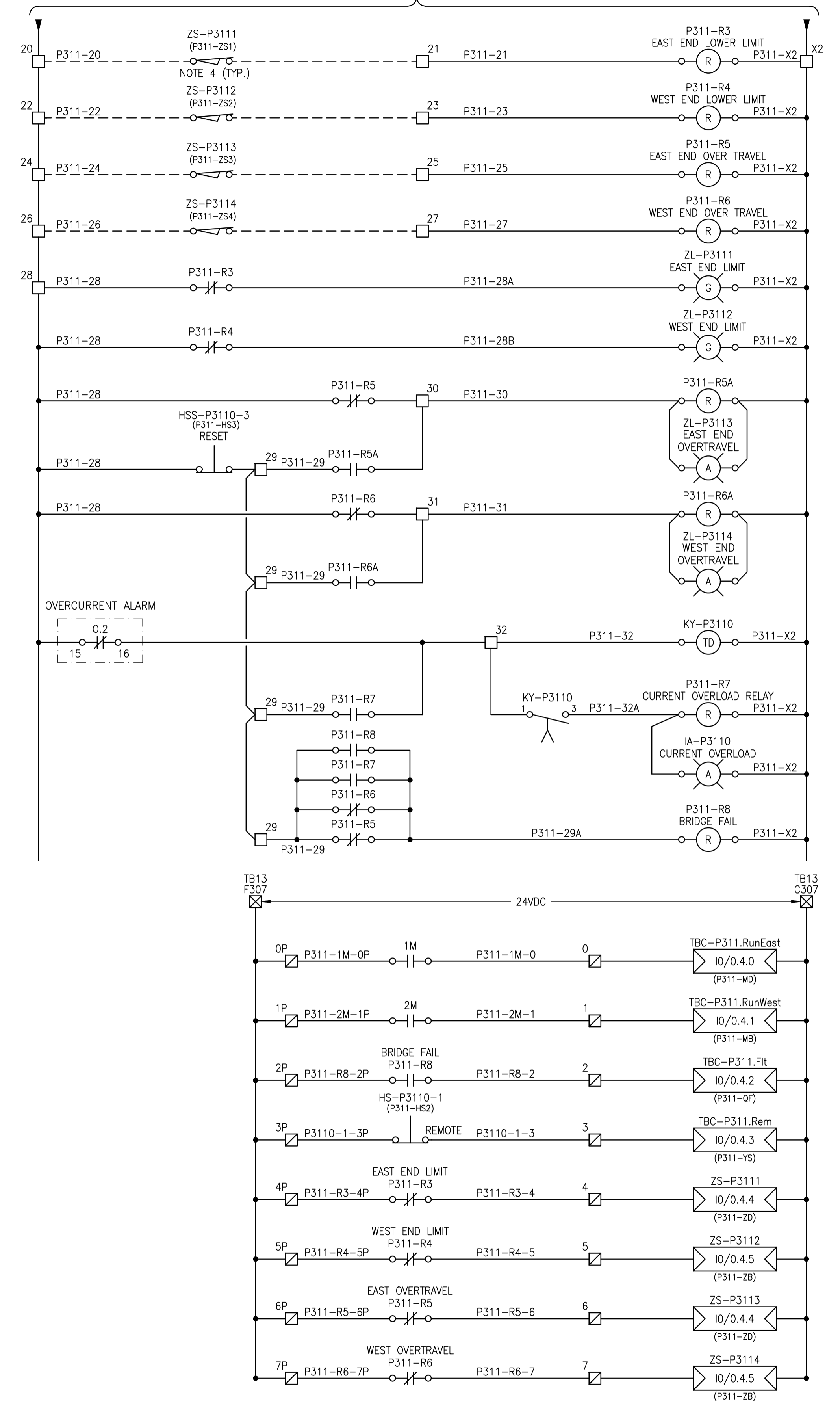
A1 SIZE - 594mm x 841mm

ELEMENTARY DIAGRAM:



TBC-P311
(P311-BDM)
SLOW/FAST
2.2 / 1.1 KW
3 / 1.5 HP
(NOTE 5)

CONTINUED FROM LEFT

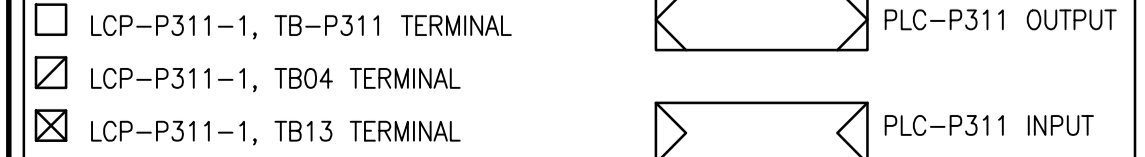


CONTINUED AT RIGHT

NOTES

- THIS DRAWING SUPERCEDES SEP-1075, SEP-1076, SEP-1077, SEP-1078 AND PART OF SEP-1072.
- PREVIOUS IDENTIFIERS ARE SHOWN IN PARENTHESES.
- REMOTE, OFF, LOCAL, MAINTENANCE CONTROL FOR DRIVE AND HOIST ALL ON THE SAME SWITCH.
- LIMIT SWITCHES SHOWN IN NON-ACTIVATED STATE.
- MOTOR WIRED FOR SLOW SPEED OPERATION ONLY.

LEGEND:



NO.	REVISIONS	DATE	DESIGN	CHECK
01	RE-ISSUED FOR CONSTRUCTION-682-2018	2018/08/27	DDW	JAB
00	ISSUED FOR CONSTRUCTION - 976-2016	2017/04/05	SSB	TMC

KGS GROUP
CONSULTING ENGINEERS

DESIGNED BY: D. WILSON
DRAWN BY: D. SHABATAEV
SCALE: NTS
DATE: 2018/07/20
CONSULTANT NO.: 1-0102-EMCL-P311-001

CHECKED BY: J. BOUCHARD
APPROVED BY: D. WILSON
ISSUED FOR CONSTRUCTION BY: B. STATION
DATE: 2018/08/27

ENGINEER'S SEAL

THE CITY OF WINNIPEG
WATER AND WASTE DEPARTMENT

SOUTH END WATER POLLUTION CONTROL CENTRE
SEWPC UPGRADING/EXPANSION PROJECT
ELECTRICAL - MOTOR STARTER SCHEMATIC
TBC-P311
PRIMARY CLARIFIER 3 TRAVELLING BRIDGE COLLECTOR

CITY DRAWING NUMBER: 1-0102-EMCL-P311
SHEET: 001
REV: 01
SIZE: A1

LAST SAVE: 2018/08/27 - 10:02am
PATH: P:\Projects\2018\18-0107-007 Dwg [Elec]\1-0102-EMCL-P311-001.dwg

REFERENCE DRAWINGS DESCRIPTION