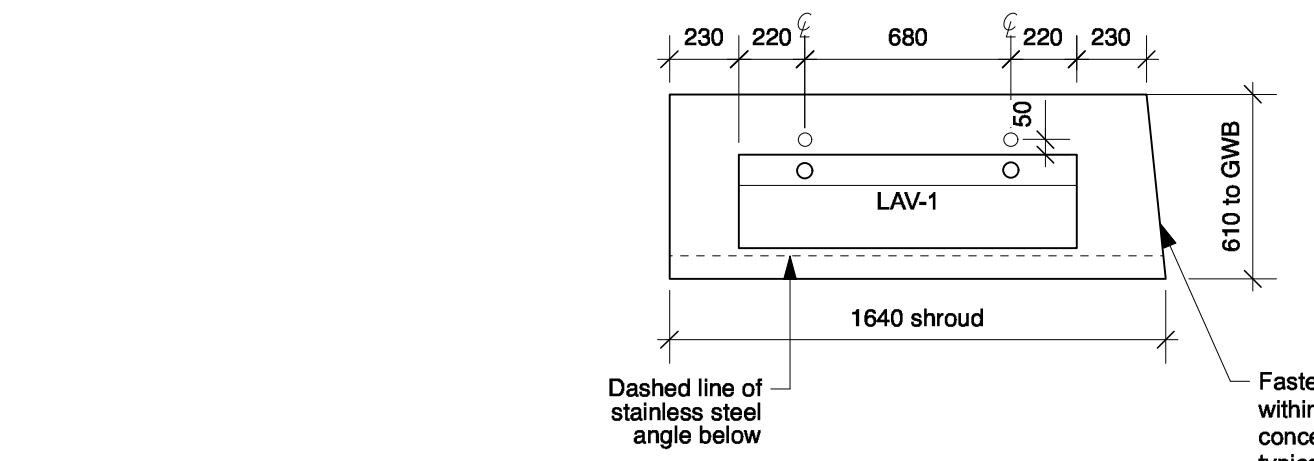
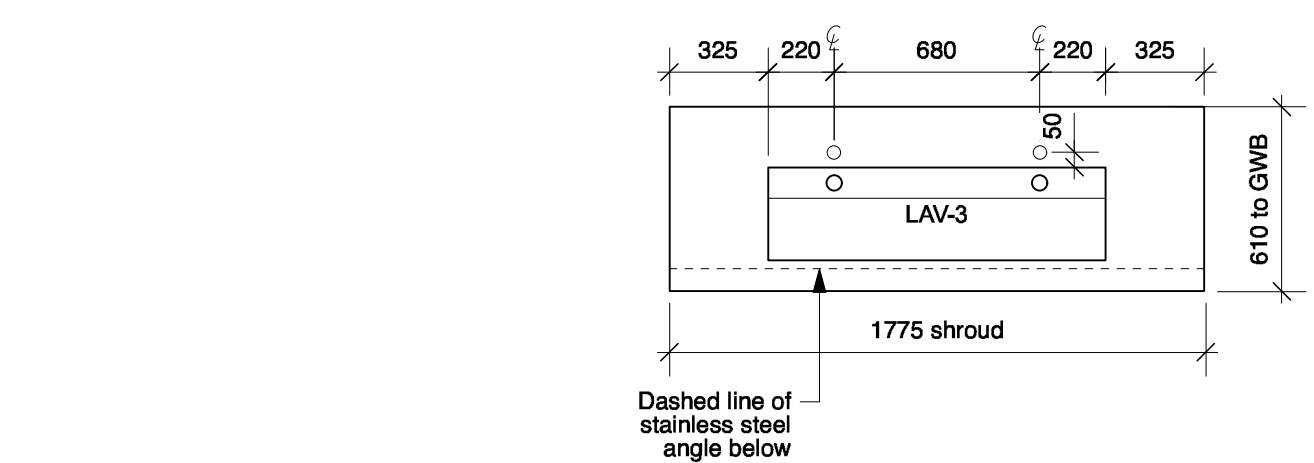
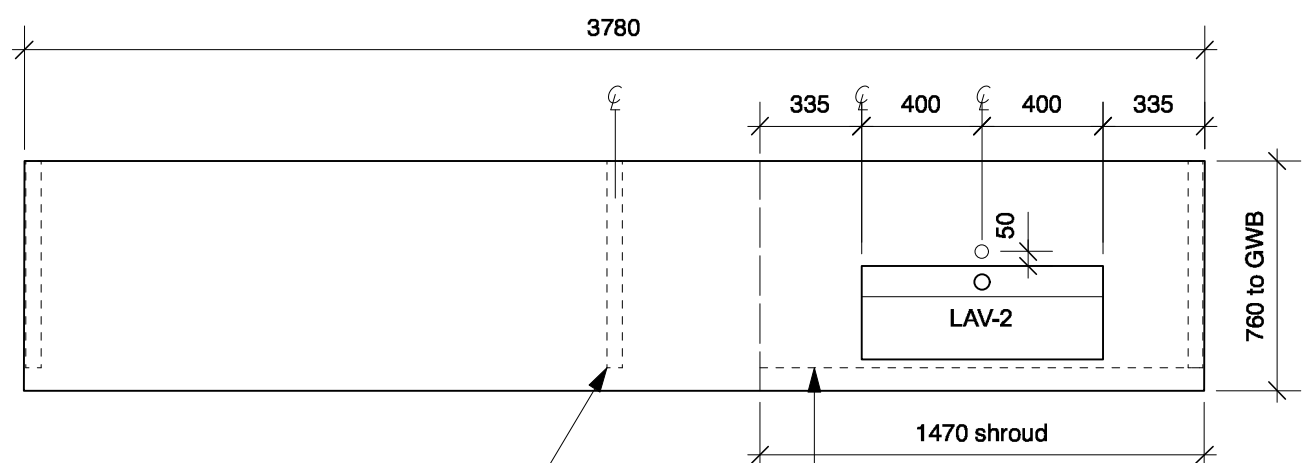
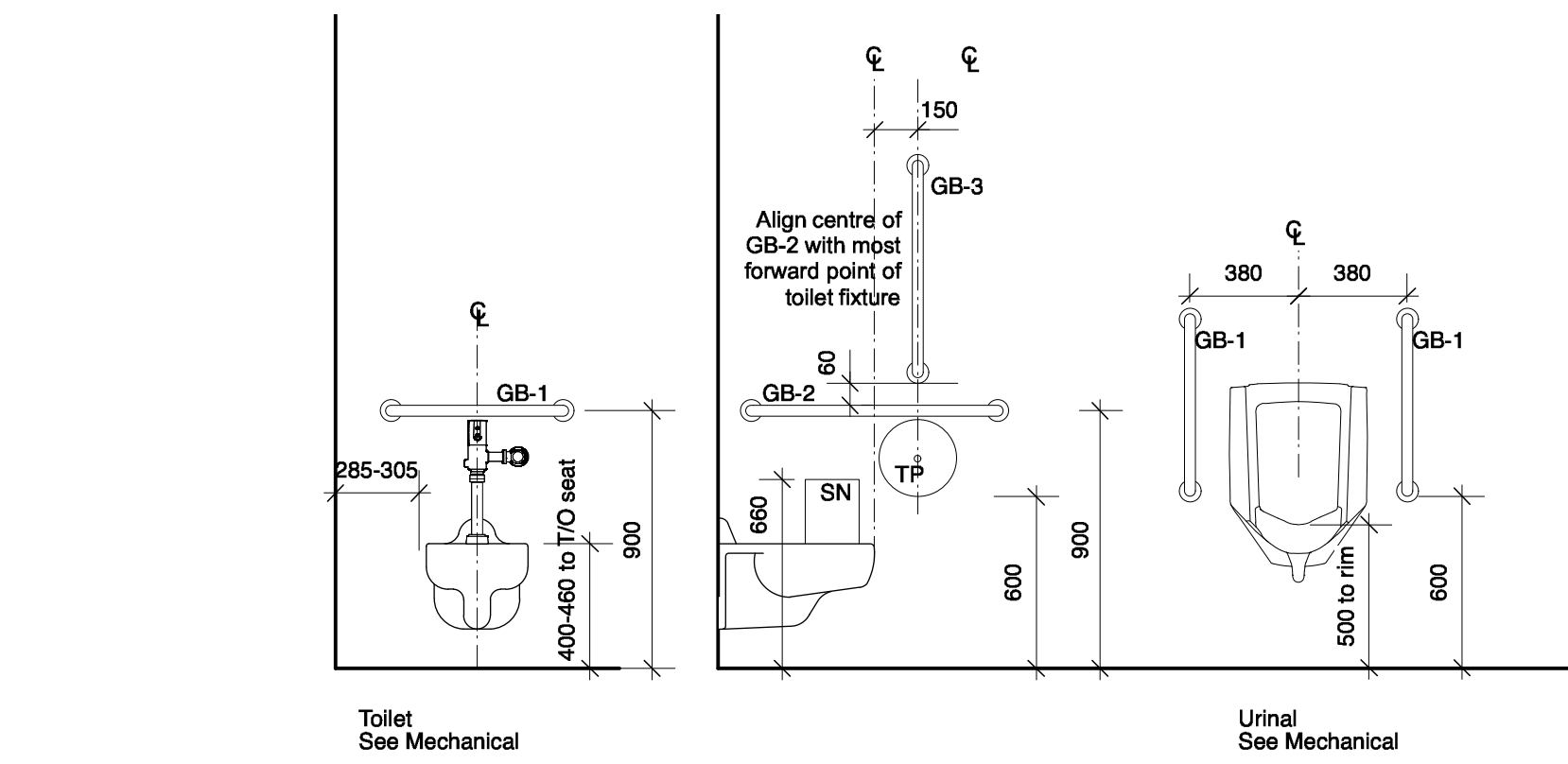


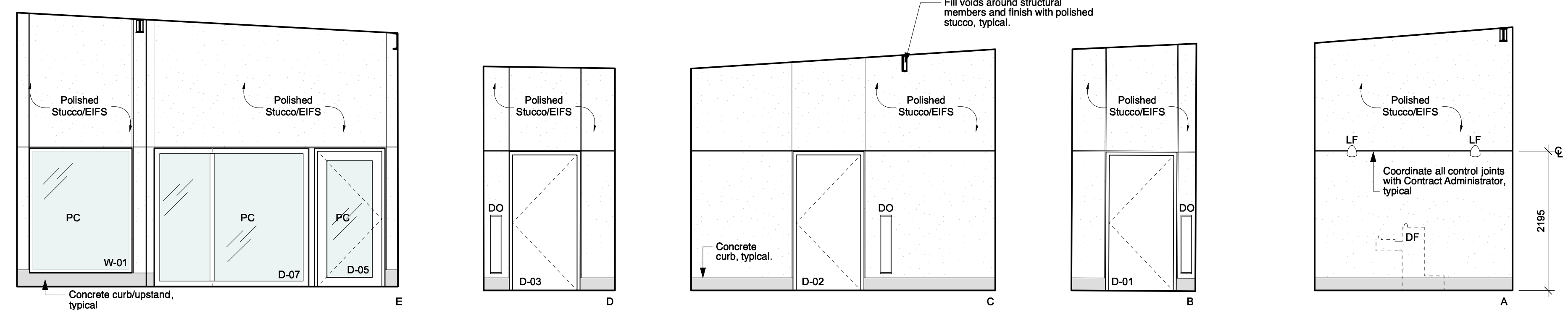
5 Stainless Steel Lavatory Details
A-700 1:10



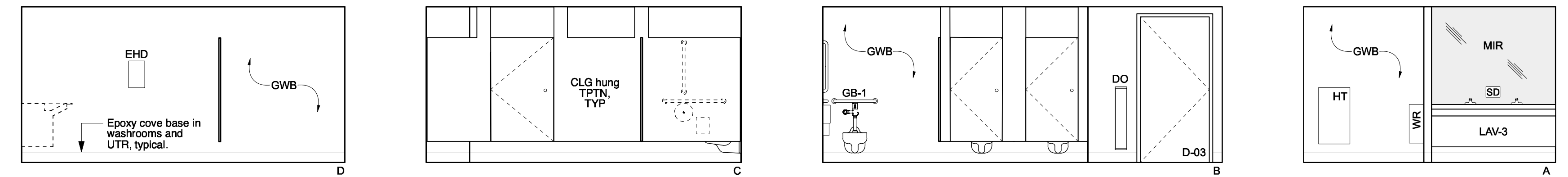
6 Stainless Steel Lavatory Plan Dimensions
A-700 1:25



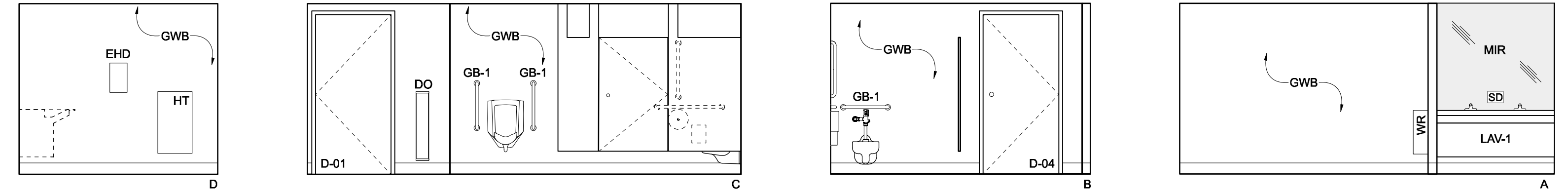
7 Typical Washroom Accessory Elevations
A-700 1:25



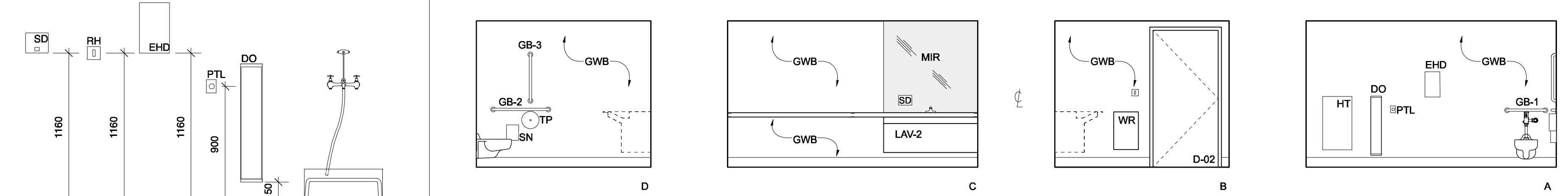
4 Covered Patio Interior Elevations
A-700 1:50



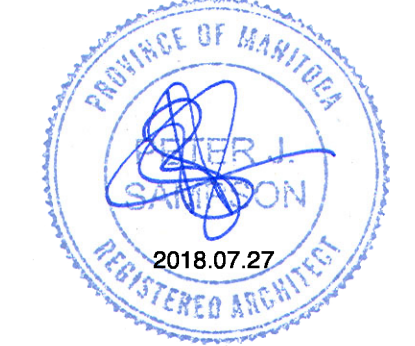
3 Women's Washroom Interior Elevations
A-700 1:50



2 Men's Washroom Room Interior Elevations
A-700 1:50



1 Universal Toilet Room Interior Elevations
A-700 1:50



This drawing must not be scaled. The contractors shall verify all dimensions and other data on site prior to commencement of work. Discrepancies, errors, and omissions are to be reported to the Architect prior to proceeding with the Work.
Drawings and specifications as instruments of service are the property of the Architect; the copyright in the same being reserved to him.
No reproduction or revision to these drawings may be made without the permission of the Architect, and when made, must bear his name. All prints to be returned to the Architect upon request.