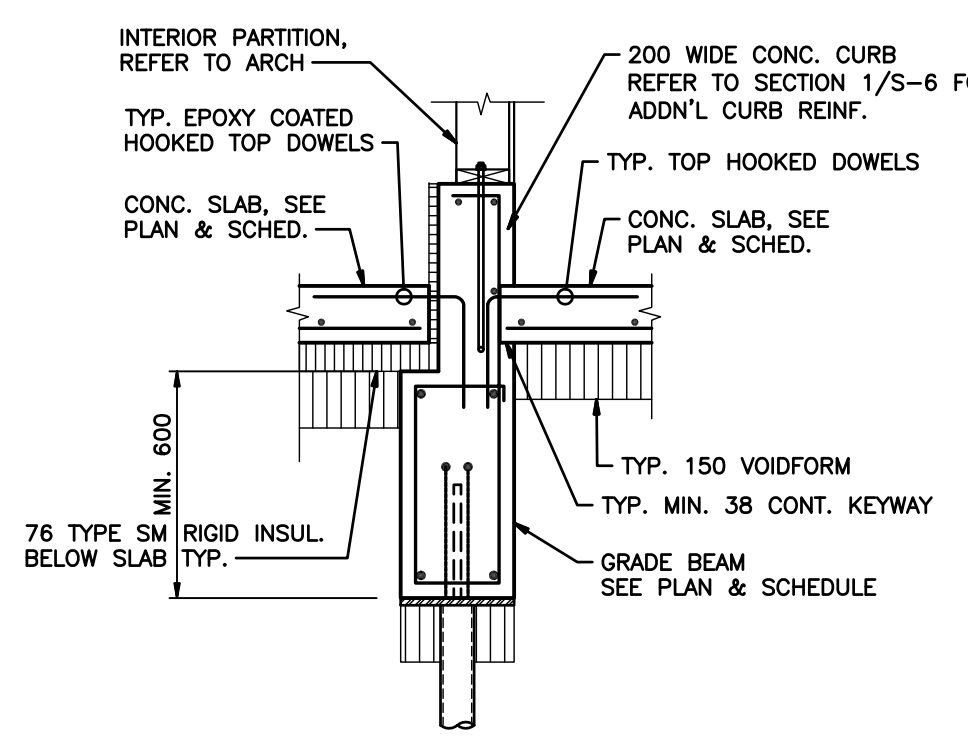
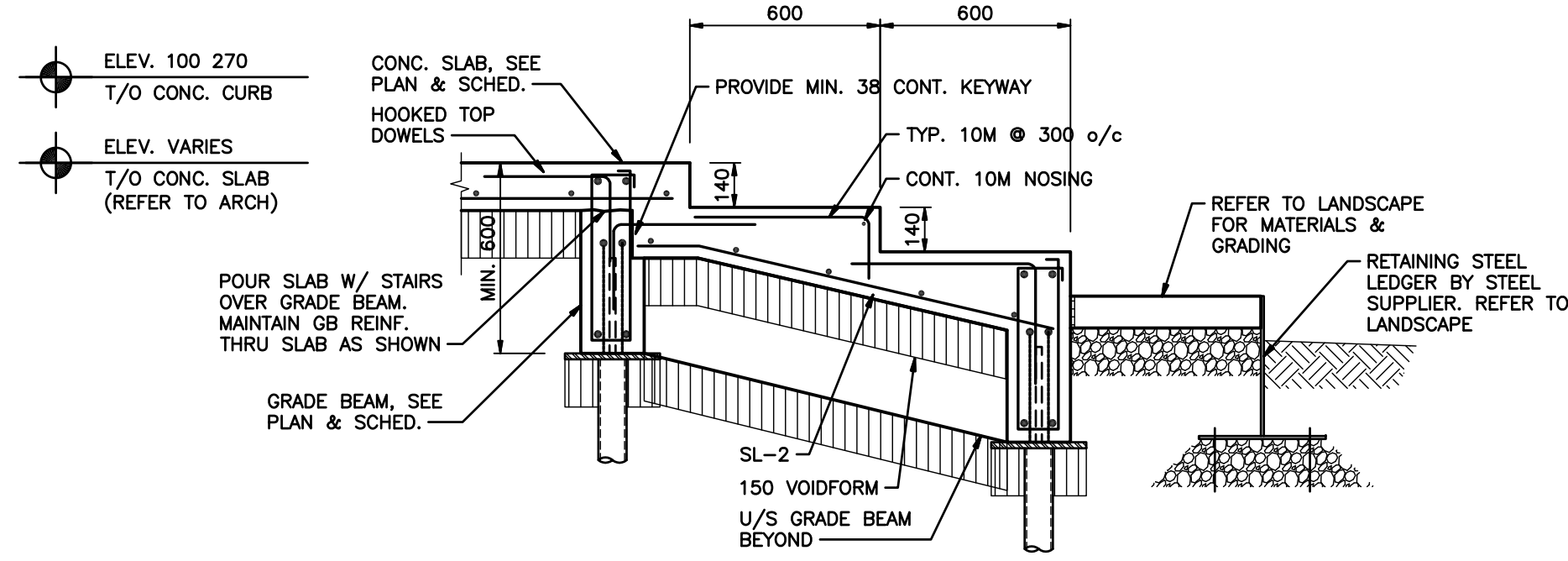


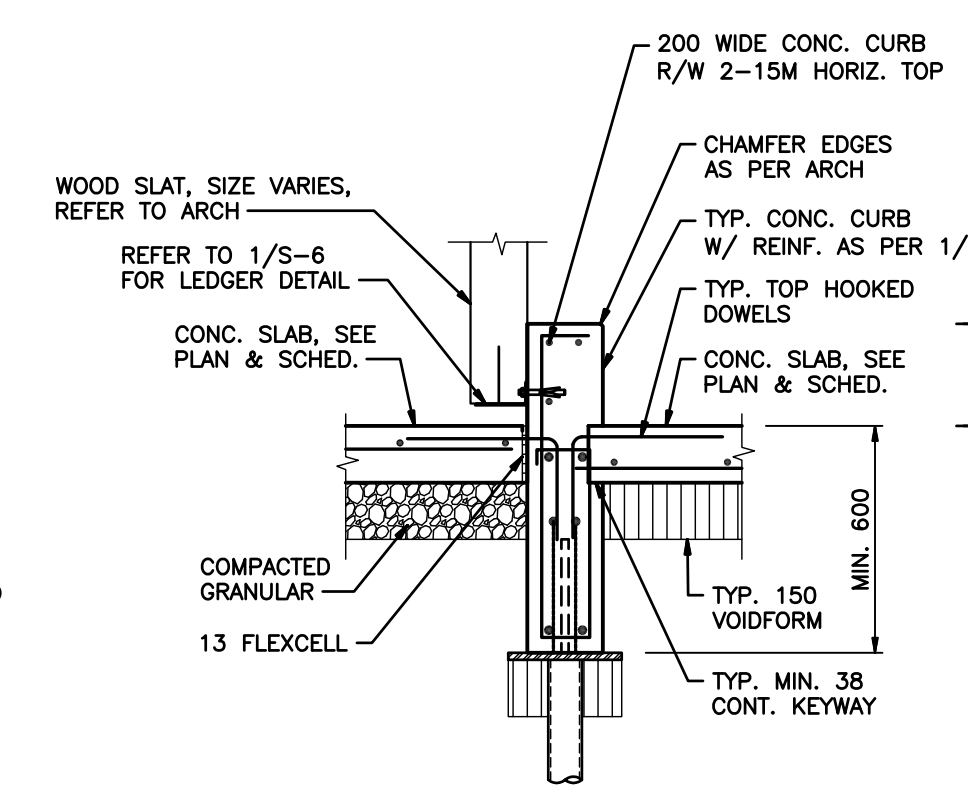
1 SECTION
S-6 1:20



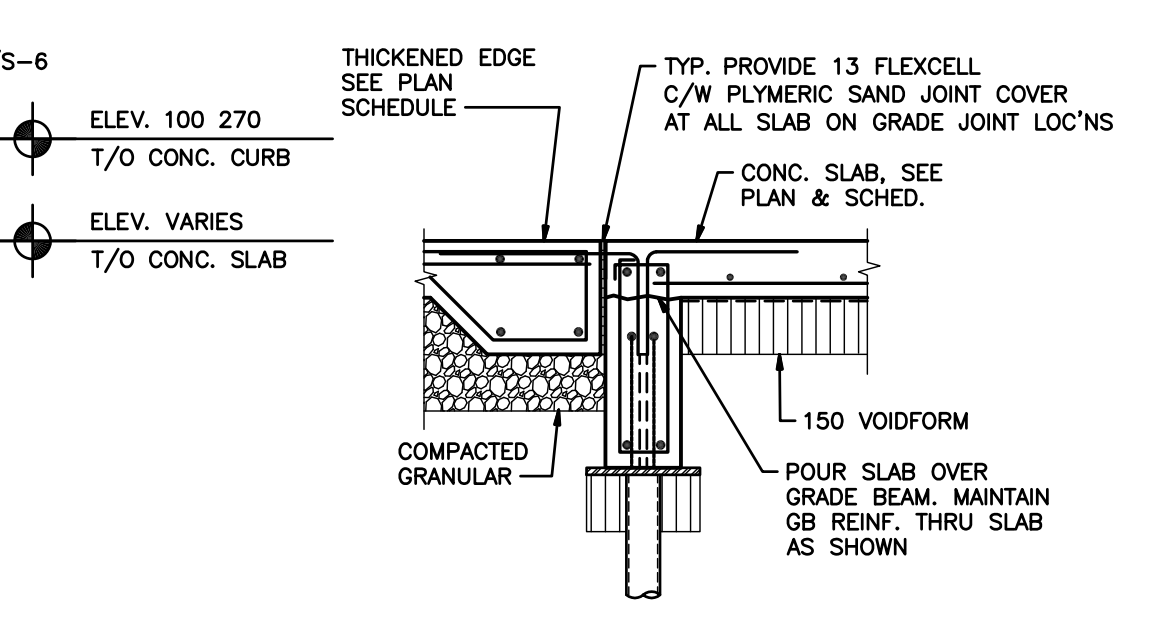
2 SECTION
S-6 1:20



3 SECTION
S-6 1:20

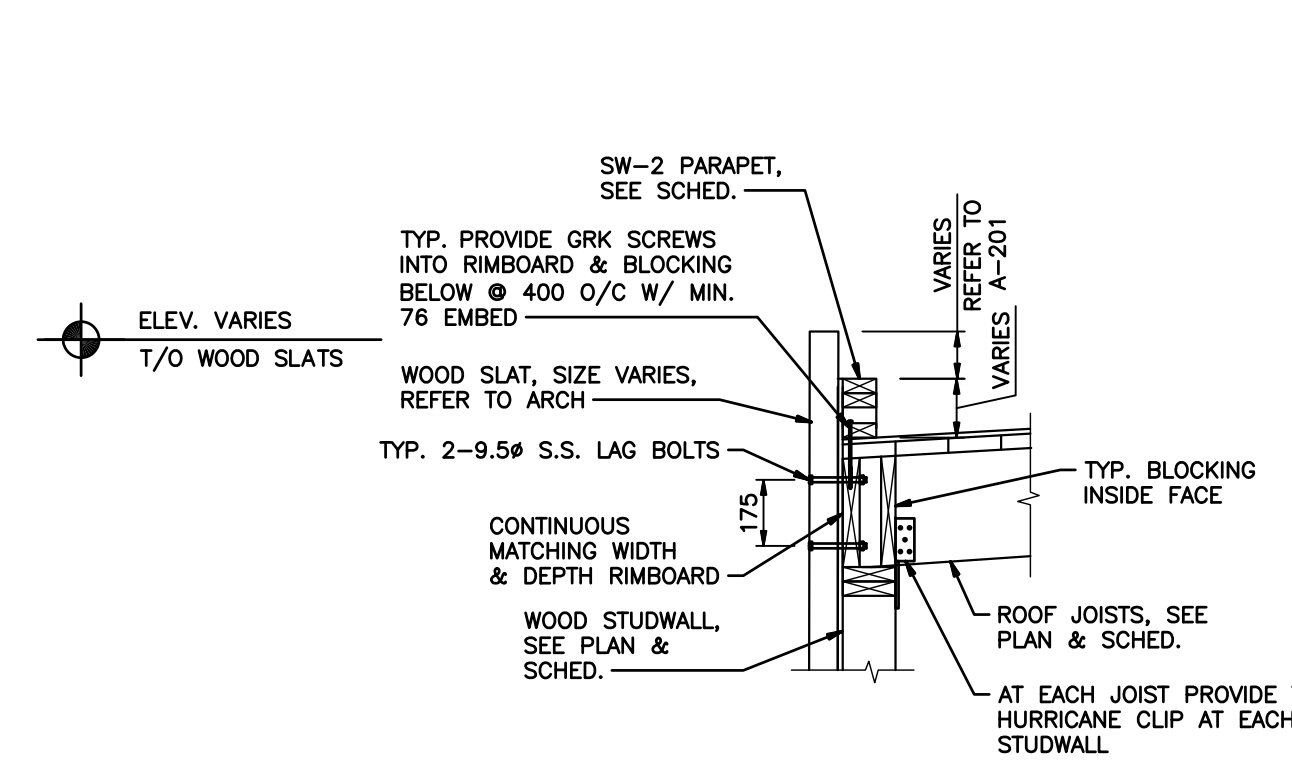


4 SECTION
S-6 1:20

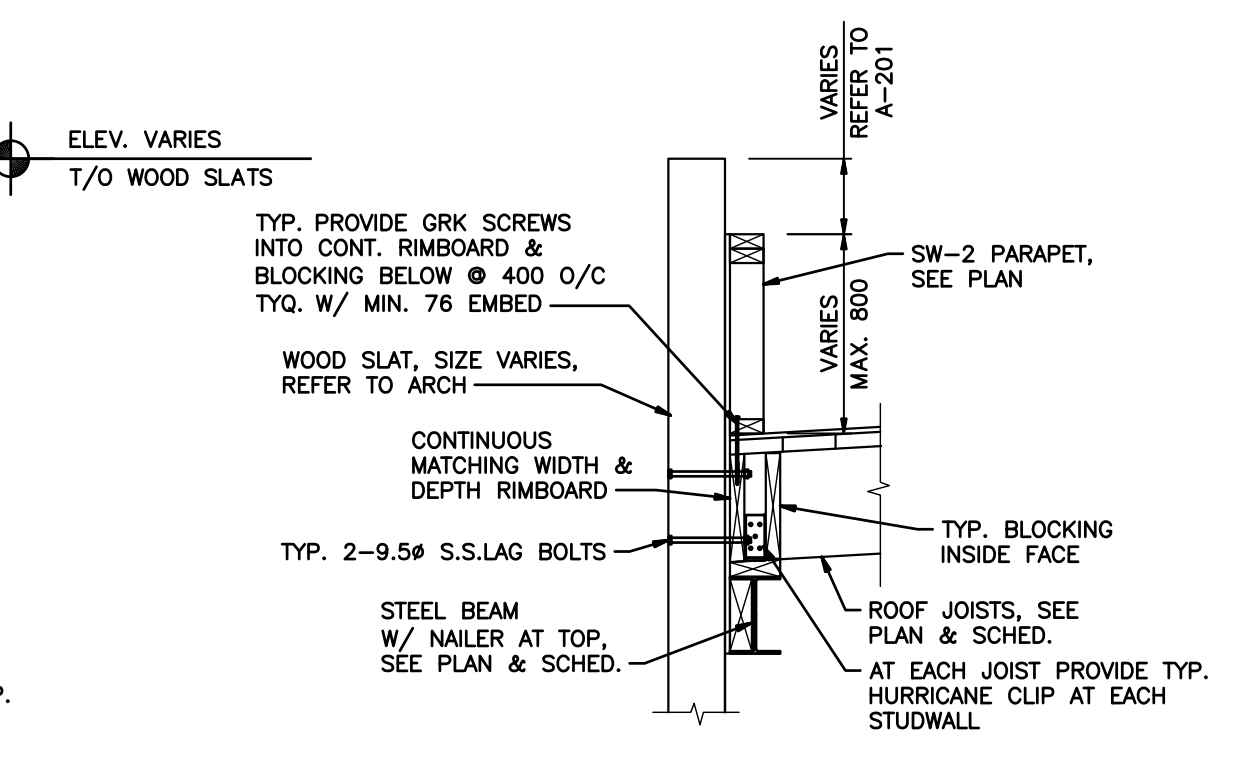


5 SECTION
S-6 1:20

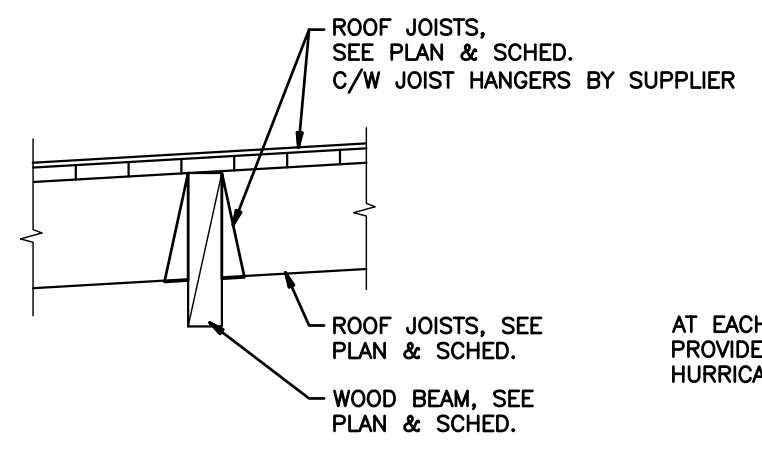
- WHERE EXPOSED, POUR UPSTAND AND GRADE BEAM INTEGRALLY, NO EXCEPTIONS. CONTRACTOR TO PROVIDE POUR SEQUENCING DOCUMENT FOR CONTRACT ADMINISTRATOR TO REVIEW
- ALL FASTENERS TO BE STAINLESS STEEL
- REFER TO LANDSCAPE L-101 FOR SLAB SLOPES & TOP OF SLAB ELEVATIONS.



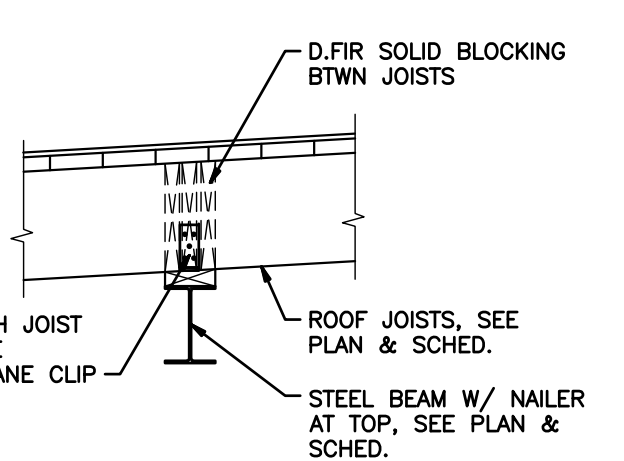
6 SECTION
S-6 1:20



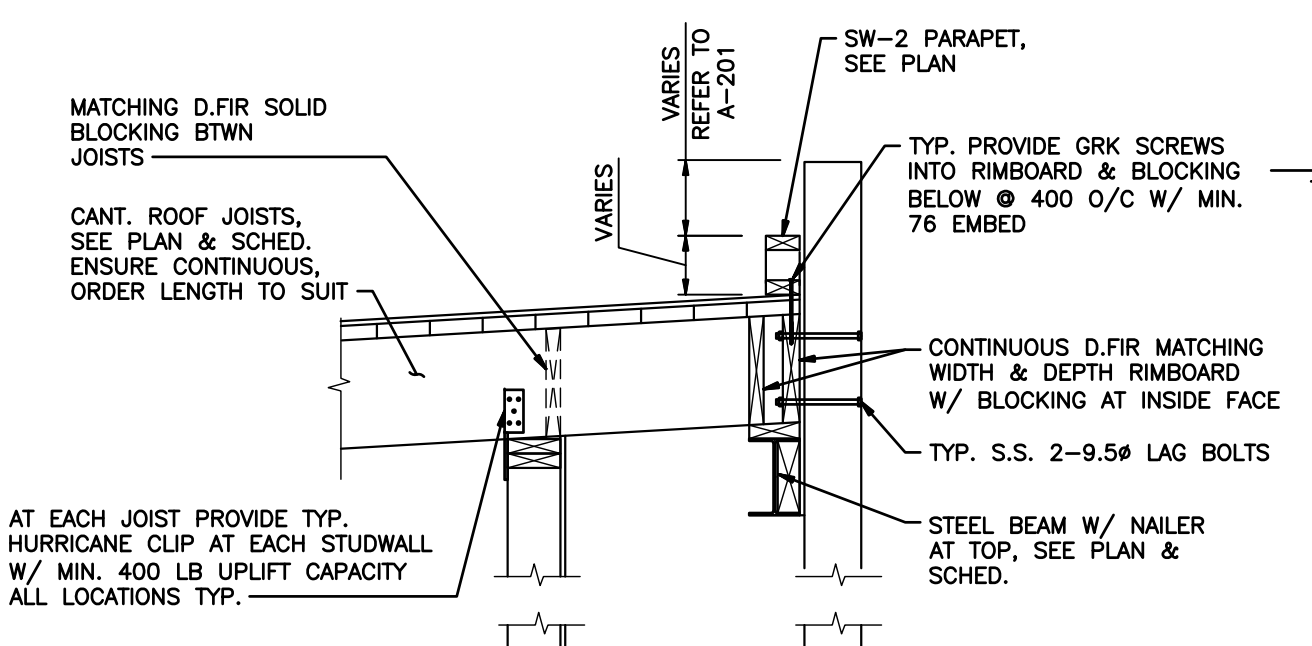
7 SECTION
S-6 1:20



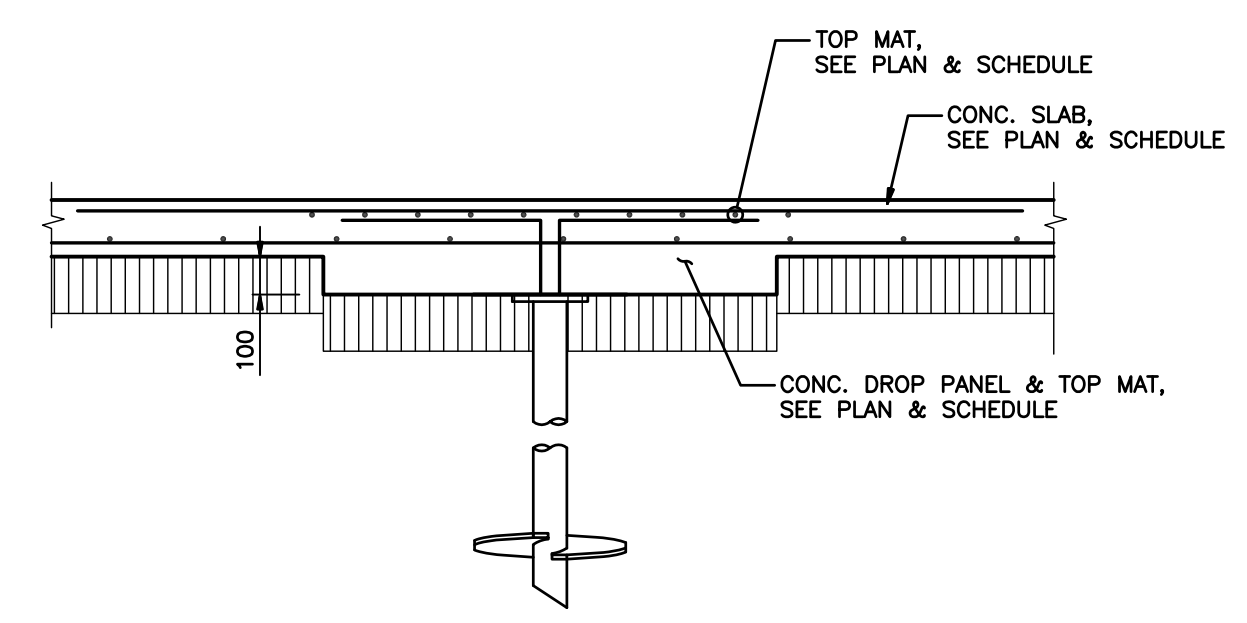
8 SECTION
S-6 1:20



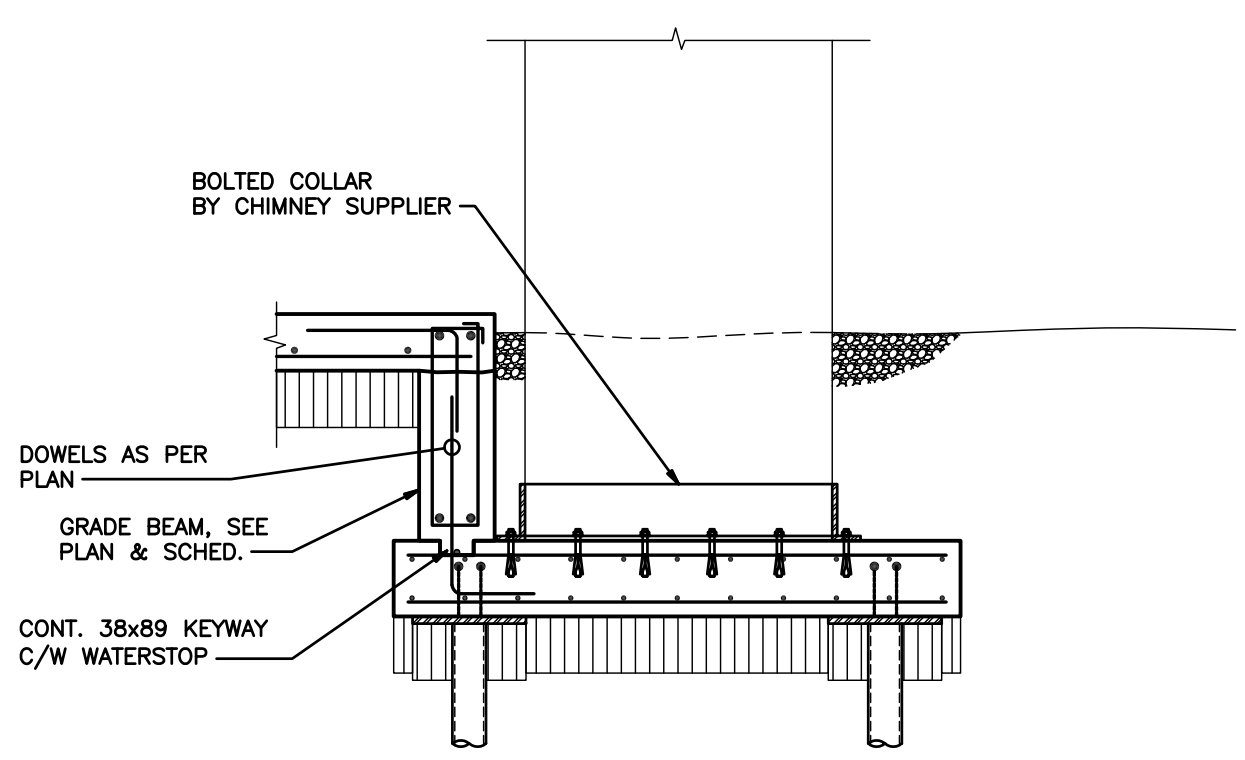
9 SECTION
S-6 1:20



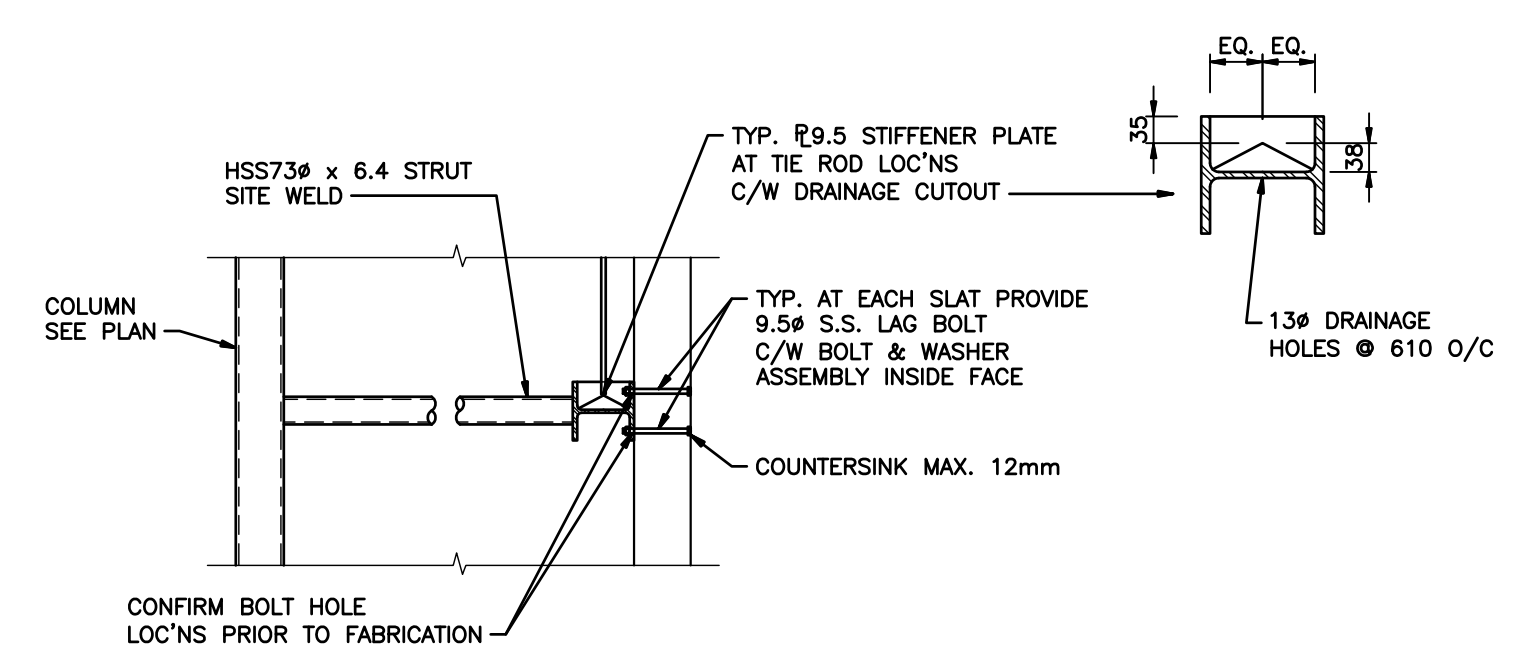
10 SECTION
S-6 1:20



11 SECTION
S-6 1:20



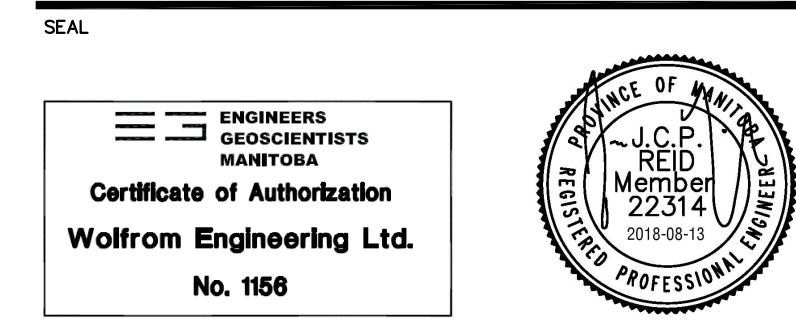
12 SECTION
S-6 1:20



13 SECTION
S-6 1:20

| | | | |
|-----|-------------------------|------------|-----|
| 0 | ISSUED FOR CONSTRUCTION | 2018.07.27 | JCR |
| No. | REVISION | DATE | BY |

WOLFROM ENGINEERING LTD
CONSULTING ENGINEERS
3445 WARDLAW AVENUE
WINNIPEG, CANADA R3L 0L5
(204) 452-0041 FAX: 284-8680
E-Mail: info@wolfromeng.com



CRESCENT DRIVE PARK PAVILION
WINNIPEG, MB.

BUILDING SECTIONS & ELEVATIONS

| | | |
|----------|---------------|----------------|
| DRAWN BY | SCALE | DRAWING NO. |
| AVP | AS NOTED | S-6 |
| FILE NO. | DATE | REVISION NO. 0 |
| W15085 | JULY 27, 2018 | |