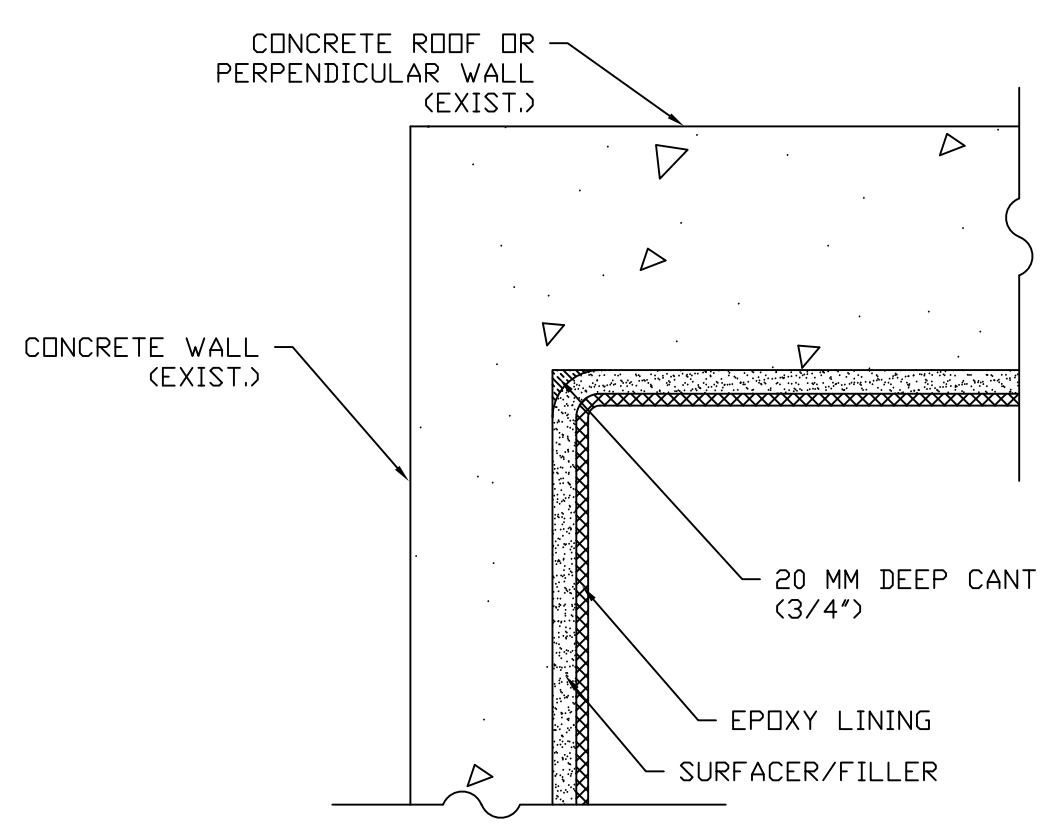


- NOTES:
1. GRIND CORNERS TO 13 MM (1/2") RADIUS.
 2. FOR CS PENETRATIONS, ABRASIVE BLAST PIPE TO SSPC-SP5.
 3. THE GAS DISCHARGE PIPING FLANGE PLATE SHALL BE ABRASIVE BLASTED TO SSPC-SP5 AND COATED WITH THE SPECIFIED EPOXY.

TYPICAL LINING TERMINATION DETAIL @ DIGESTER GAS DOME

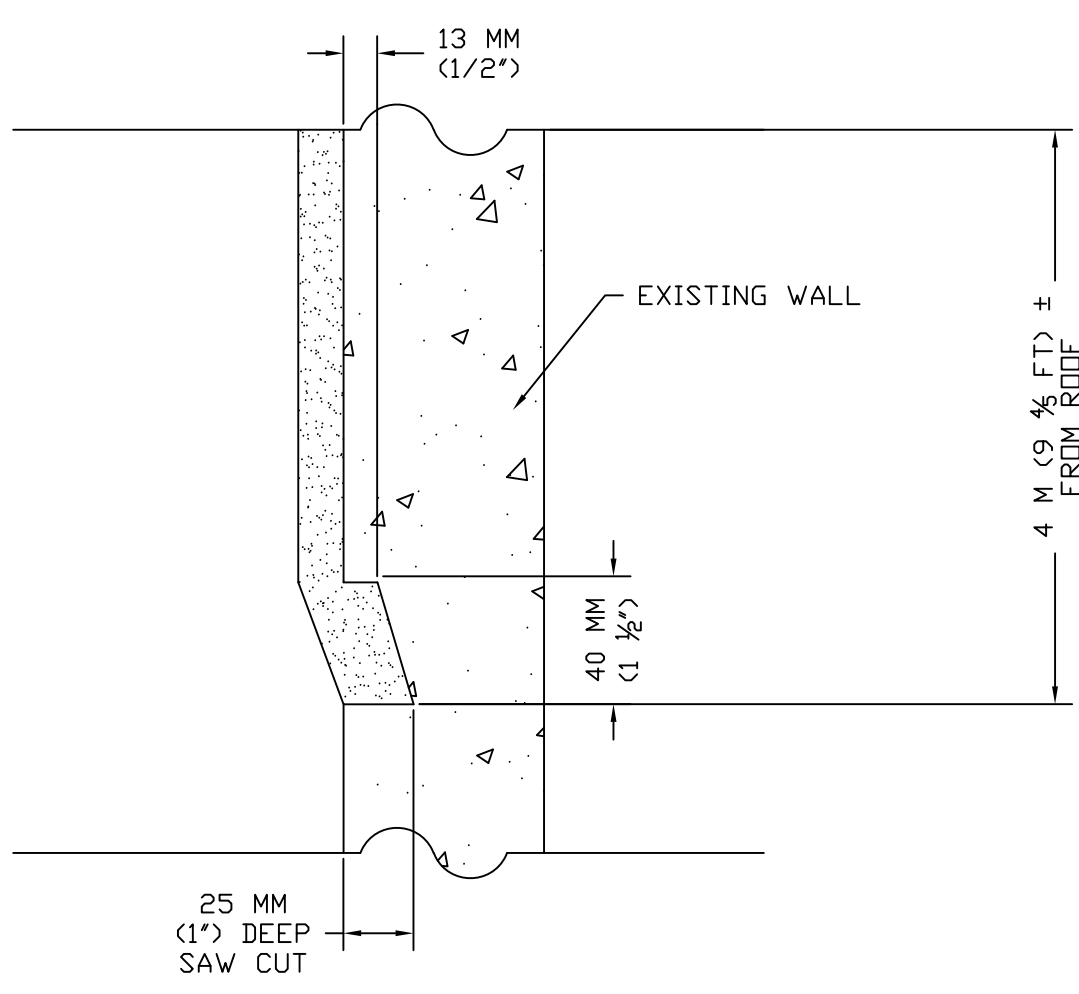
SECTION 4
NTS (S101)



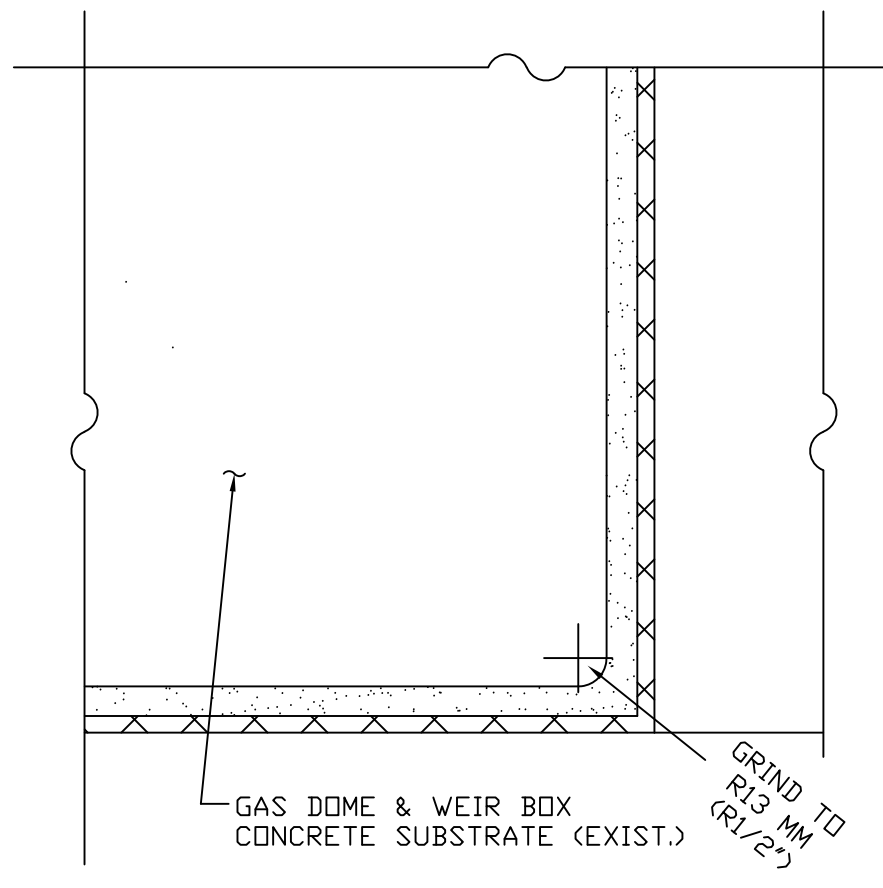
- NOTES:
1. INSTALL CANT USING EPOXY SURFACER/FILLER MATERIAL.
 2. MINIMUM OF 20 MM (3/4") DEEP @ CENTER AS SHOWN FOR GRADUAL TRANSITION.

TYPICAL INSIDE CORNER TRANSITION

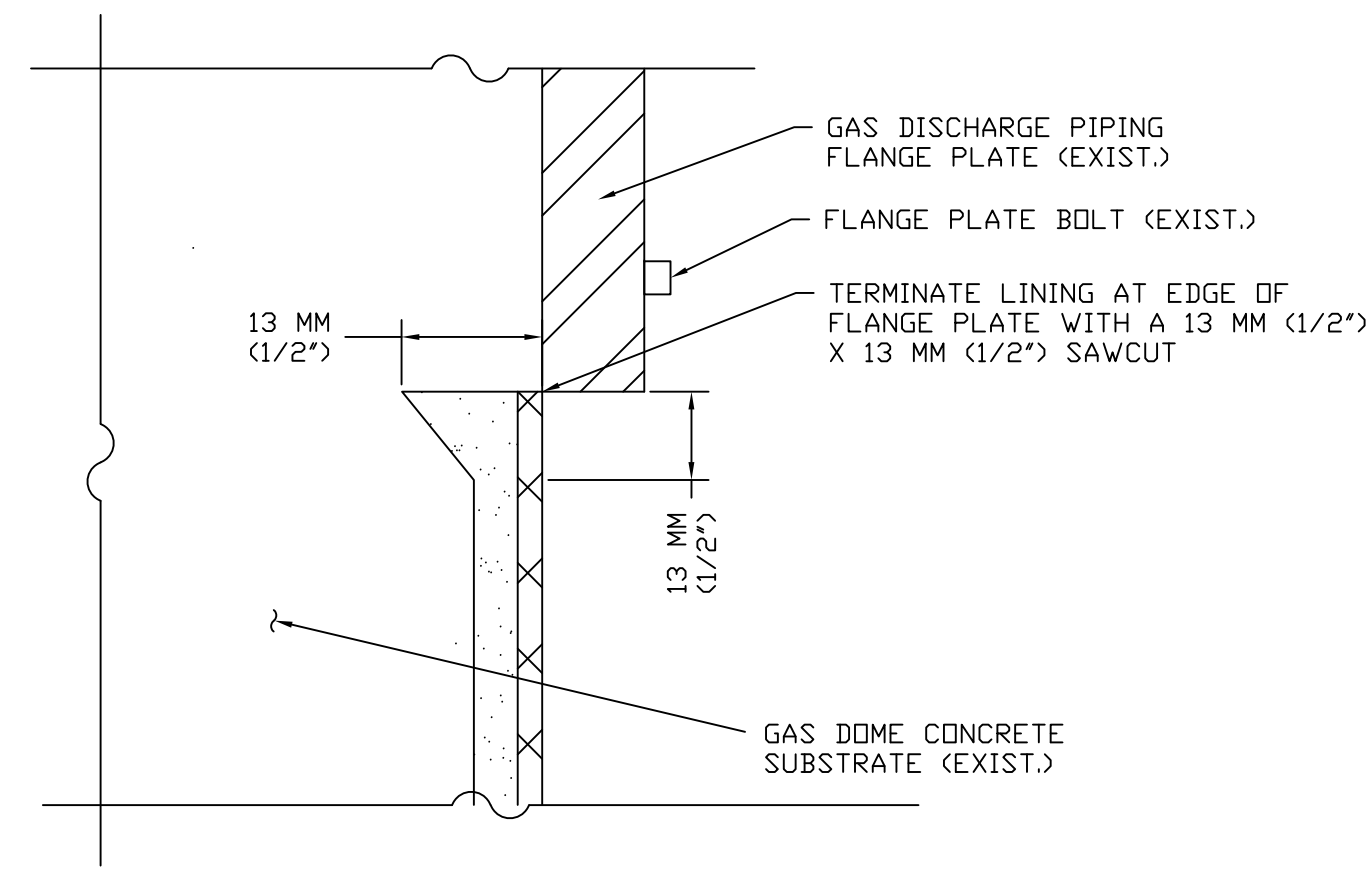
SECTION 5
NTS (S101)



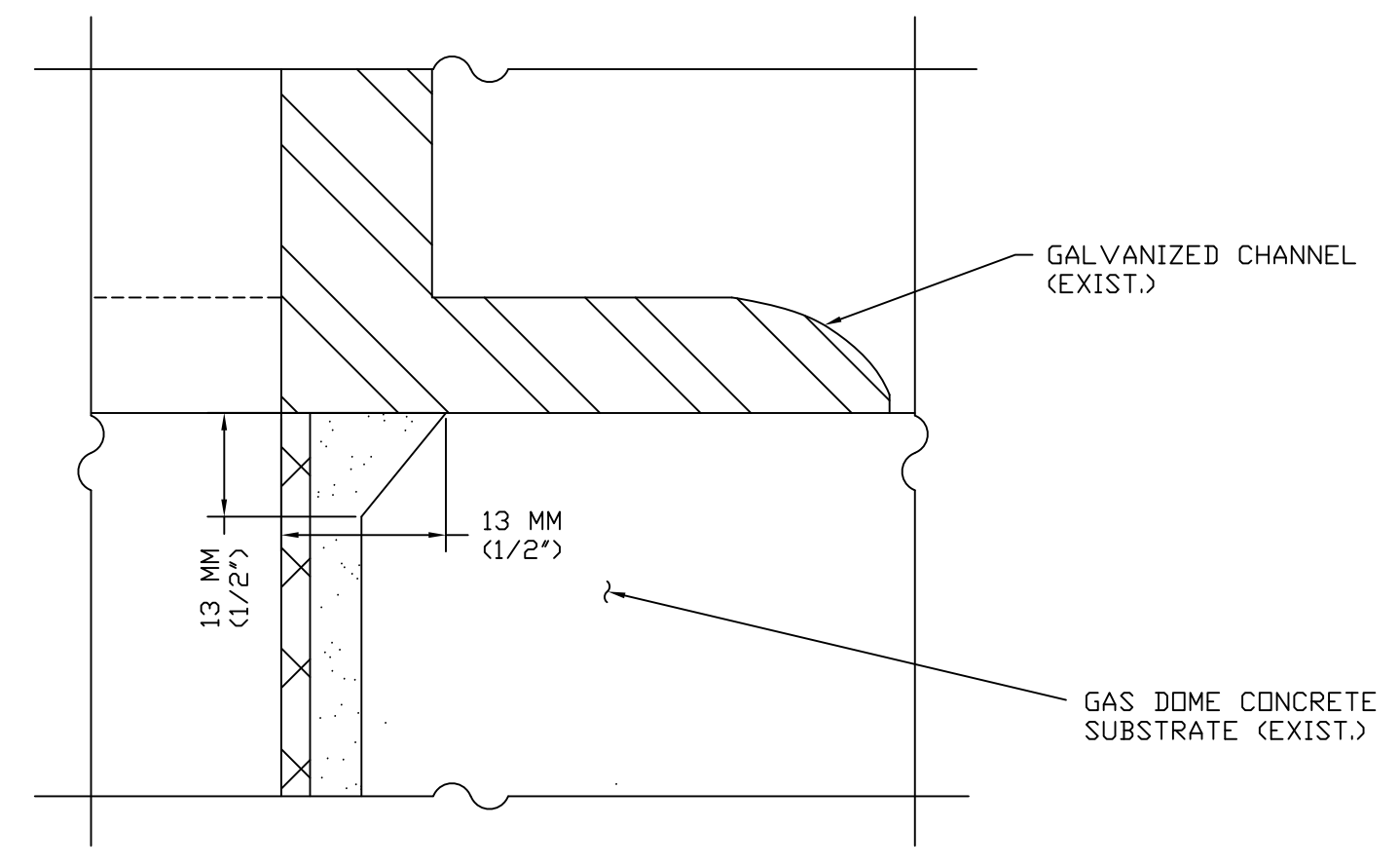
SECTION 6
NTS (S101)



DETAIL A
NTS



DETAIL B
NTS



DETAIL C
NTS

NUMBER	DATE	MADE BY	CHECKED BY	DESCRIPTIONS
REVISIONS				



PROJECT NO. VW0030	DESIGN BY SPR	DRAWN BY JLR	CHECK BY SPR
DATE DECEMBER 7, 2018	CADD FILE	SCALE AS NOTED	DRAWING NO. VW0030-S102

DIGESTER 11 NORTH END
WATER POLLUTION CONTROL CENTRE, WINNIPEG, MB
CITY OF WINNIPEG

SECTIONS AND DETAILS
PENETRATIONS AND TERMINATIONS
EPOXY LINING SYSTEM - II

SHEET NO.
2

ANSI B - 81:11-10