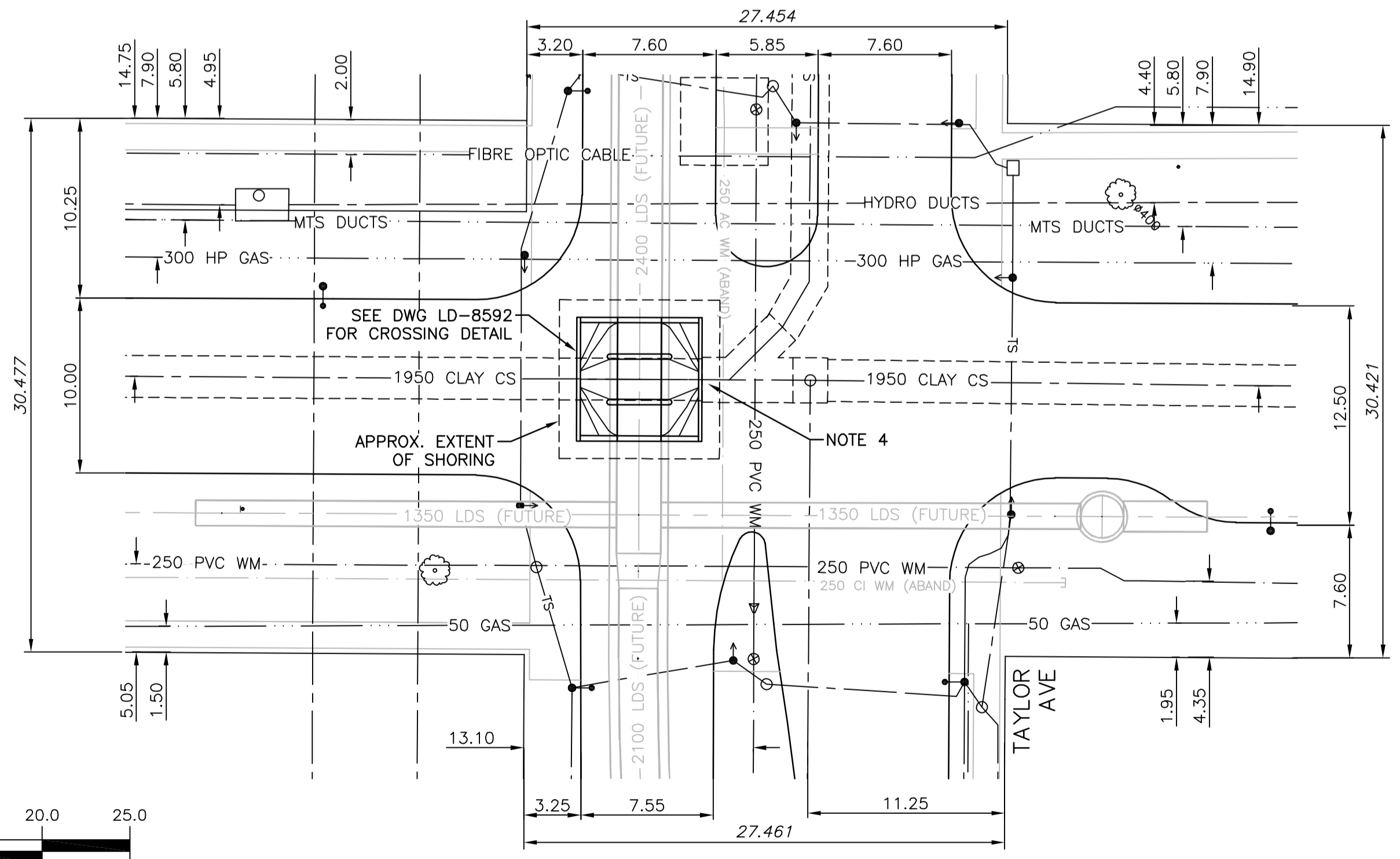


0+980 1+000 1+020 1+040

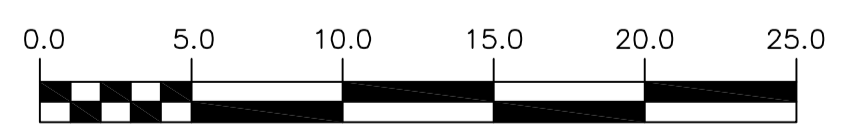
HARROW STREET



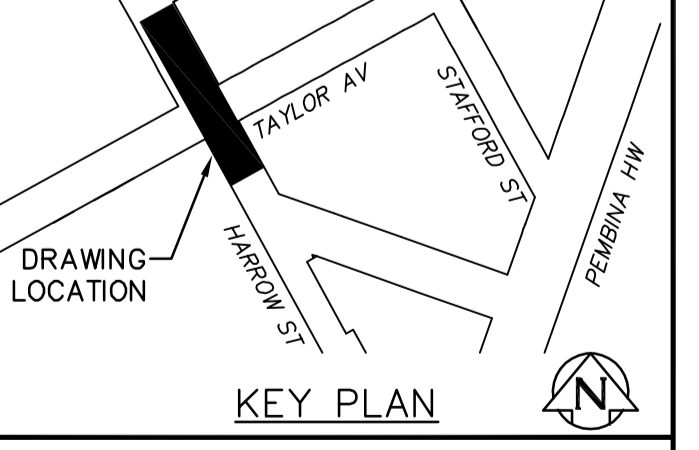
WARNING
 IF POWER EQUIPMENT OR EXPLOSIVES ARE TO BE USED FOR EXCAVATION ON THIS PROJECT THE CONTRACTOR MUST:
 1) NOTIFY THE GAS COMPANY OF THE PROPOSED LOCATION OF EXCAVATION.
 2) TAKE PRECAUTION TO AVOID DAMAGE TO GAS COMPANY INSTALLATIONS.
 SEE PROVINCIAL REGULATION 210/72 FOR DETAILS

PROPERTY LIMITS DELINEATION
 DELINEATION OF PROPERTY LIMITS AS SHOWN ON THIS DRAWING DOES NOT REPRESENT A "LEGAL SURVEY". CH2M HILL MAKES NO REPRESENTATION OR WARRANTY AS TO THE ACCURACY OF PROPERTY LIMITS DELINEATED ON THIS DRAWING, NOR ON THE DIMENSIONAL ACCURACY OF DRAWING FEATURES RELATIVE TO THOSE PROPERTY LIMITS.

- CONSTRUCTION NOTES:**
- SEWER AND WATER SERVICES SHOWN ON DRAWING ARE APPROXIMATE ONLY.
 - LOCATION OF ALL SEWER AND WATER LINES TO BE CONFIRMED IN FIELD.
 - TRAFFIC MANAGEMENT PLAN TO BE IMPLEMENTED AS PER SPECIFICATIONS.
 - HYDRO EXCAVATE CONCRETE WYE SECTION TO DETERMINE SOUTH EXTENT PRIOR TO CONSTRUCTION.



APEGM
 Certificate of Authorization
 CH2M HILL Canada Ltd.
 No. 1441



150 WM	WATER MAIN	150 WM	HYDRO	150 WM	WATER MAIN	150 WM
+	HYDRANT	+	M.T.S.	+	HYDRANT, VALVE	+
⊗	VALVE	⊗	CONCRETE	⊗	LAND DRAINAGE SEWER	⊗
⊗	LAND DRAINAGE SEWER	⊗	ASPHALT	⊗	WASTE WATER SEWER	⊗
⊗	WASTE WATER SEWER	⊗	SIDEWALK	⊗	CENTRELINE	⊗
○	MANHOLE	○	PLANNING	○	NORTH/WEST GUTTER	○
□	CATCH BASIN	□	PROPERTY LINE	○	SOUTH/EAST GUTTER	○
▽	CURB INLET	▽	SURVEY BAR	◇, ○	N/W, S/E P'S	◇, ○
∩	BEND	∩	GAS			
∩	REDUCER	∩	CURB STOP			
∩	TEE	∩	TEE			
EXISTING	LEGEND-PLAN	PROPOSED	EXISTING	LEGEND-PLAN	PROPOSED	EXISTING
				LEGEND-PROFILE		PROPOSED

LOCATION APPROVED UNDERGROUND STRUCTURES
 SUPV. U/G STRUCTURES COMMITTEE DATE
 NOTE:
 LOCATION OF UNDERGROUND STRUCTURES AS SHOWN ARE BASED ON THE BEST INFORMATION AVAILABLE BUT NO GUARANTEE IS GIVEN THAT ALL EXISTING UTILITIES ARE SHOWN OR THAT THE GIVEN LOCATIONS ARE EXACT. CONFIRMATION OF EXISTENCE AND EXACT LOCATION OF ALL SERVICES MUST BE OBTAINED FROM THE INDIVIDUAL UTILITIES BEFORE PROCEEDING WITH CONSTRUCTION.

B.M. ELEV.	NO.	REVISIONS	DATE	BY
	1	RE-ISSUED FOR TENDER	08/2018	JBC
	0	ISSUED FOR TENDER	08/2018	JBC

KGS GROUP CONSULTING ENGINEERS

DESIGNED BY: SDG
 DRAWN BY: JBC
 CHECKED BY: MD
 APPROVED BY: RH
 HOR. SCALE: 1:250
 VERTICAL: 1:50
 RELEASED FOR CONSTRUCTION: SC
 DATE: 08/07/2018

ENGINEER'S SEAL
 ORIGINAL SIGNED BY M.R. DRAPER DATED 8/3/2018
 CONSULTANT DRAWING NO. C-261

THE CITY OF WINNIPEG WATER AND WASTE DEPARTMENT

PROJECT TITLE: COCKBURN AND CALROSSIE COMBINED SEWER RELIEF WORKS - CONTRACT 5A
 HARROW STREET TAYLOR AVENUE INTERSECTION

SHEET OF 3 OF 5
 COMPUTER FILE NAME: C-261.dwg
 CITY DRAWING NUMBER: LD-8591

File name: C:\pw_workdir\ch2mhill_wbg\jcoritez\1d0440452\