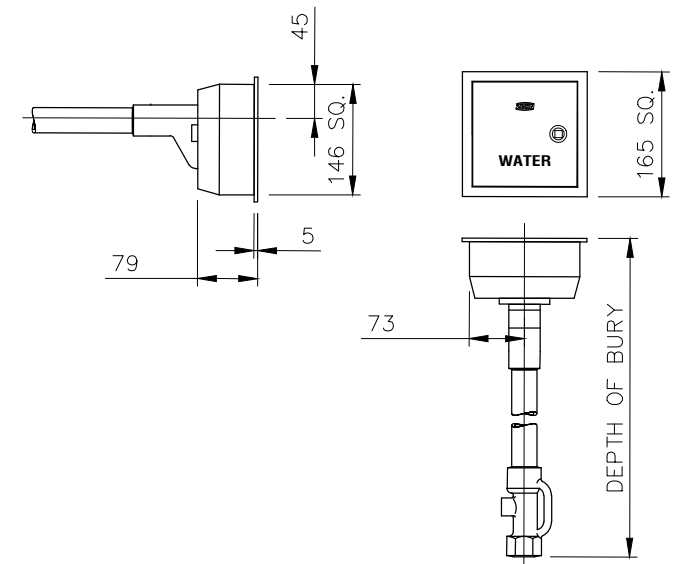


150 WM	WATERMAIN	150 WM
⊕	HYDRANT	⊕
⊗	VALVE	⊗
300 CS	COMBINED SEWER	300 CS
○	MANHOLE	●
□	CATCH BASIN	■
▽	CURB INLET	▽
▬▬▬	CONCRETE	▬▬▬
—	TREE	—
---	GAS	---
⊕	CURB STOP	⊕
⊕	LIGHT STANDARD	
⊕	SIGN	
⊕	TREE	
⊕	GUY WIRE	
+	ELEVATION	
EXISTING	LEGEND	PROPOSED



NOTES:

- ALL UTILITIES ARE SHOWN AS INFORMATION ONLY. CONTRACTOR TO CONFIRM LOCATION OF ALL UTILITIES ON SITE PRIOR TO CONSTRUCTION.
- CONTRACTOR TO STAKE OUT LOCATION OF ALL WORKS FOR APPROVAL BY CONTRACT ADMINISTRATOR PRIOR TO ANY CONSTRUCTION OR REMOVALS.
- CONTRACTOR TO CONFIRM ALL DIMENSIONS ON SITE AND REPORT ANY DISCREPANCIES TO THE CONTRACT ADMINISTRATOR PRIOR TO CONSTRUCTION.
- DURING CONSTRUCTION, CONTRACTOR TO PROTECT, TO CITY OF WINNIPEG STANDARDS ALL EXISTING TREES, SIDEWALKS, CURBS, SOD, UTILITIES, AND PAVING TO REMAIN. AREAS DAMAGED DURING CONSTRUCTION TO BE REPAIRED TO CITY OF WINNIPEG STANDARDS AT CONTRACTOR'S COST.
- ALL WORK IS TO BE DONE IN ACCORDANCE WITH THE LATEST EDITION OF THE CITY OF WINNIPEG STANDARD CONSTRUCTION SPECIFICATIONS UNLESS OTHERWISE NOTED.
- CONTRACTOR TO REPAIR ALL ON AND OFF SITE SODDED AREAS, SHRUB BEDS, TREES, CONCRETE, ROAD PAVING AND CURBS ETC., DAMAGED DURING CONSTRUCTION TO CONTRACT ADMINISTRATOR'S SATISFACTION AND TO THE CITY OF WINNIPEG STANDARDS AT HIS/HER OWN COST.
- ENSURE POSITIVE DRAINAGE ON PATHWAYS AND IN ADJACENT SODDED AREAS.
- MAINTAIN EXISTING GRADE AND DRAINAGE PATTERNS WHERE POSSIBLE.

1
C501
ZURN Z1361 GROUND HYDRANT HOSE BIBB CONNECTION BOX DETAIL
N.T.S.

V:\112\active\11217750\0300.drawing\0302_sheet_files\02_civil\17750c-101-814.dwg c-101 2018/06/08 10:26 AM By: Ramnarace, Kesh

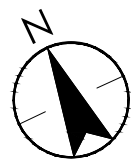
ORIGINAL SHEET - ISO 11x17 - v17.05

2018-06-08
11217750



Stantec Consulting Ltd.
Suite 500, 311 Portage Avenue
Winnipeg MB Canada R3B 2B9
Tel. 204.489.5900 Fax. 204.453.9012
www.stantec.com

Legend



Notes



METRIC

WHOLE NUMBERS INDICATE MILLIMETRES
DECIMALIZED NUMBERS INDICATE METRES

WARNING

IF POWER EQUIPMENT OR EXPLOSIVES ARE TO BE USED FOR EXCAVATION ON THIS PROJECT THE CONTRACTOR MUST:
1) NOTIFY THE GAS COMPANY OF THE PROPOSED LOCATION OF EXCAVATION.
2) TAKE PRECAUTION TO AVOID DAMAGE TO GAS COMPANY INSTALLATIONS.
SEE PROVINCIAL REGULATION 140/92 FOR DETAILS

Client/Project

THE CITY OF WINNIPEG - SEVEN OAKS ARBORETUM
PARTRIDGE AVENUE, WINNIPEG MB

Figure No.

C-101

Title

SITE SERVICING PLAN AND DETAIL