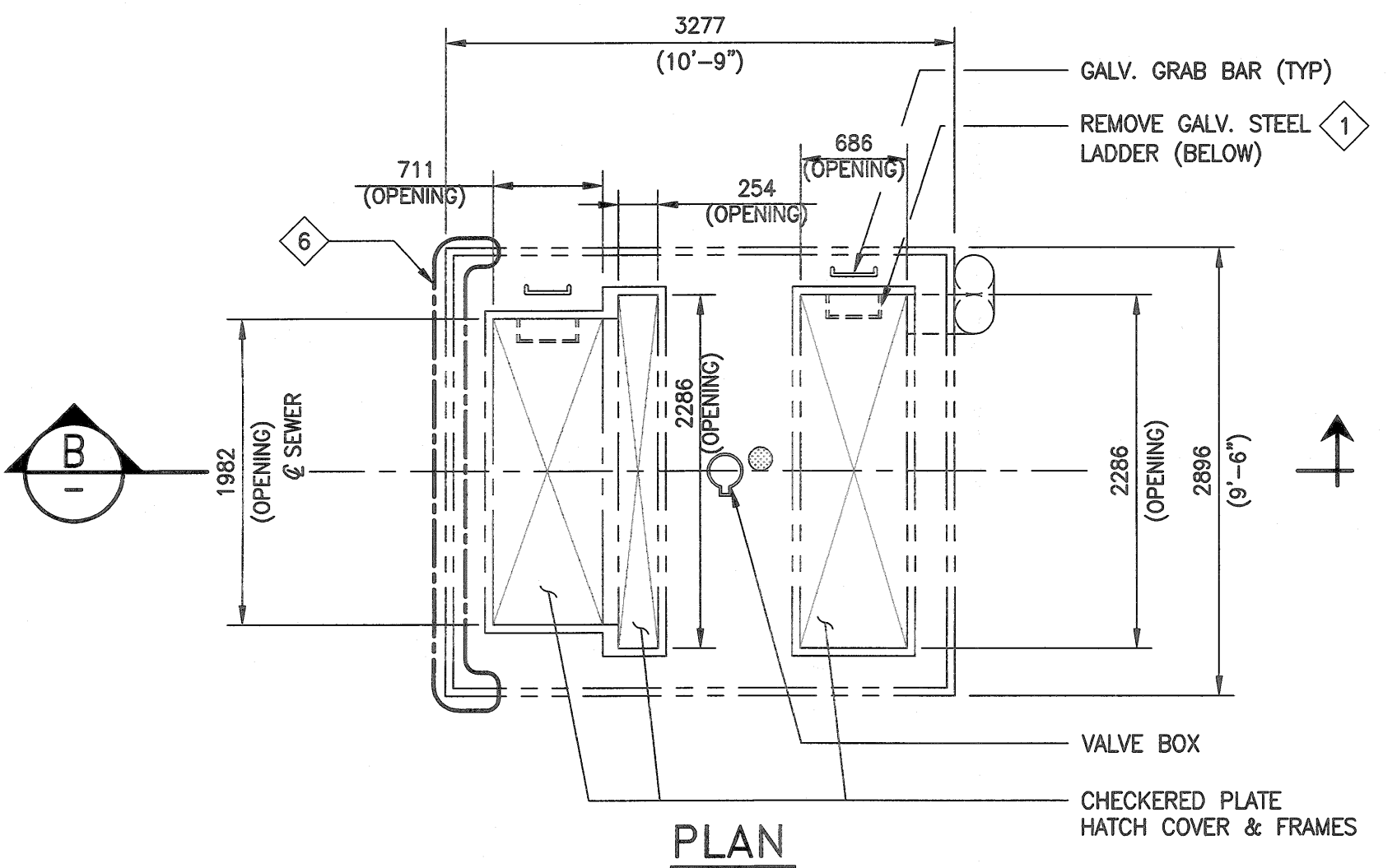
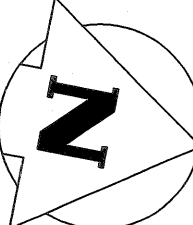
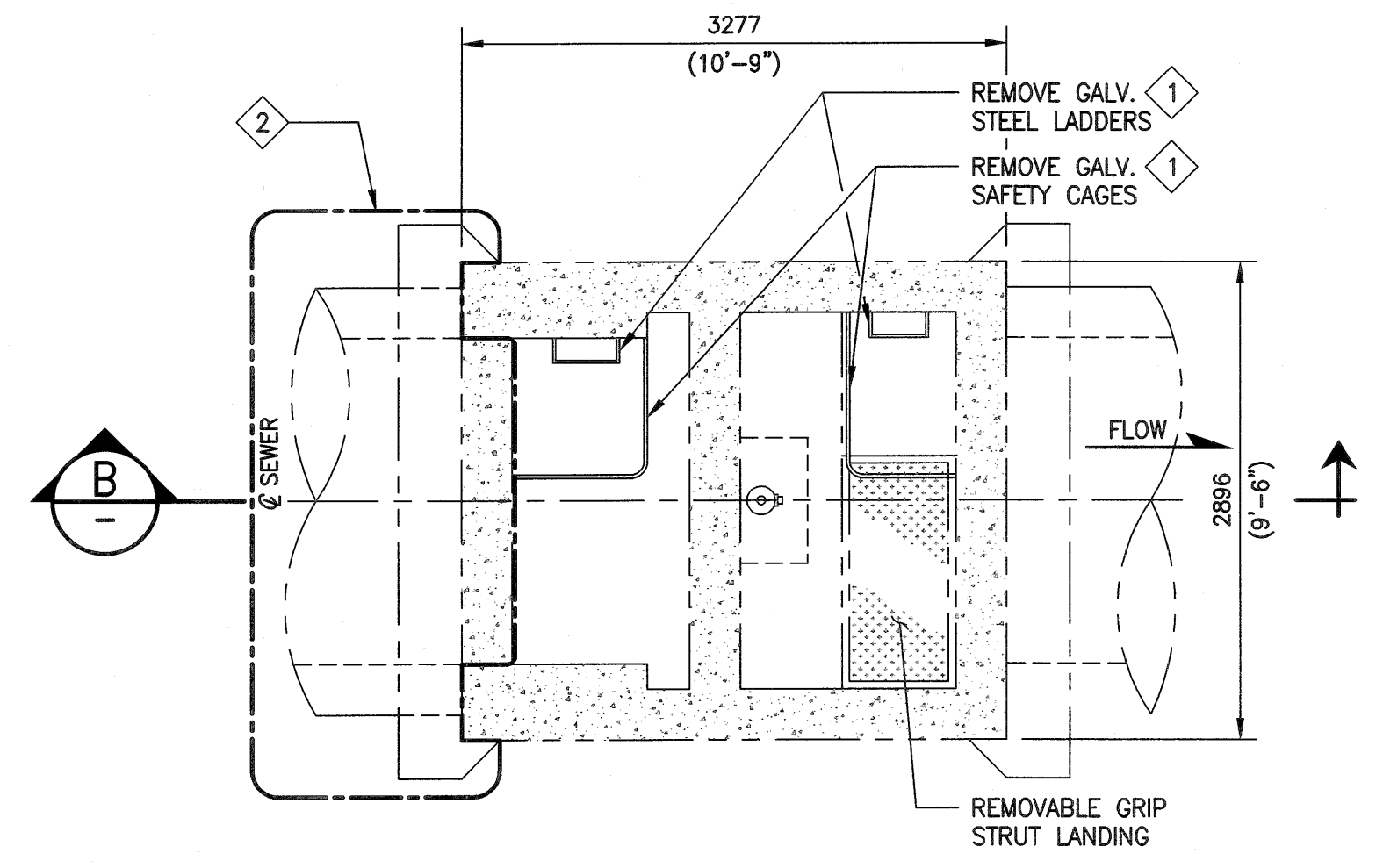


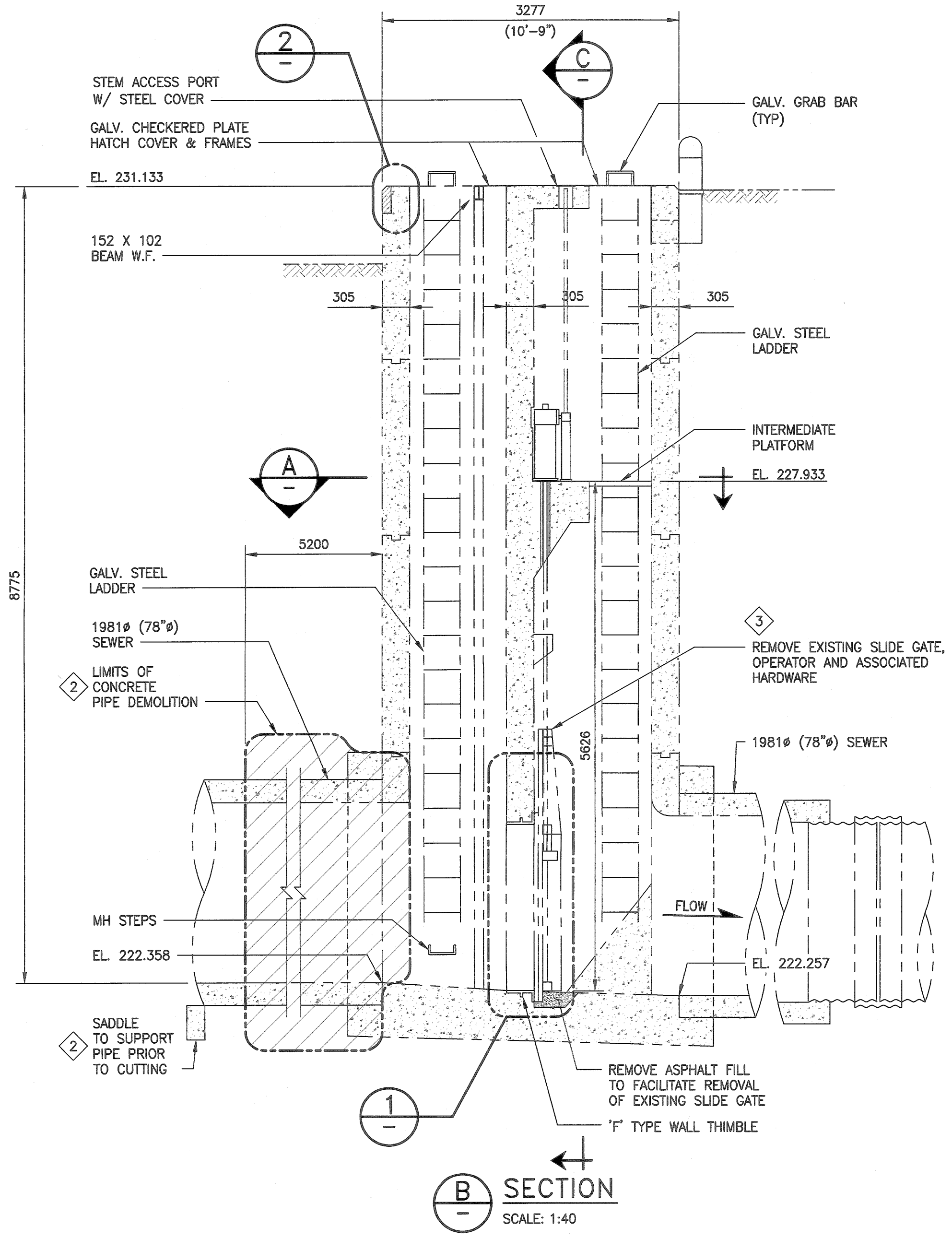
File Name: P:\Projects\2018\18-0107-005\Drawings\Struct\18-0107-005\_S01.dwg - Tab: S01 Plotted By: DDerocche 09/11/2018 [Tue 8:15am]



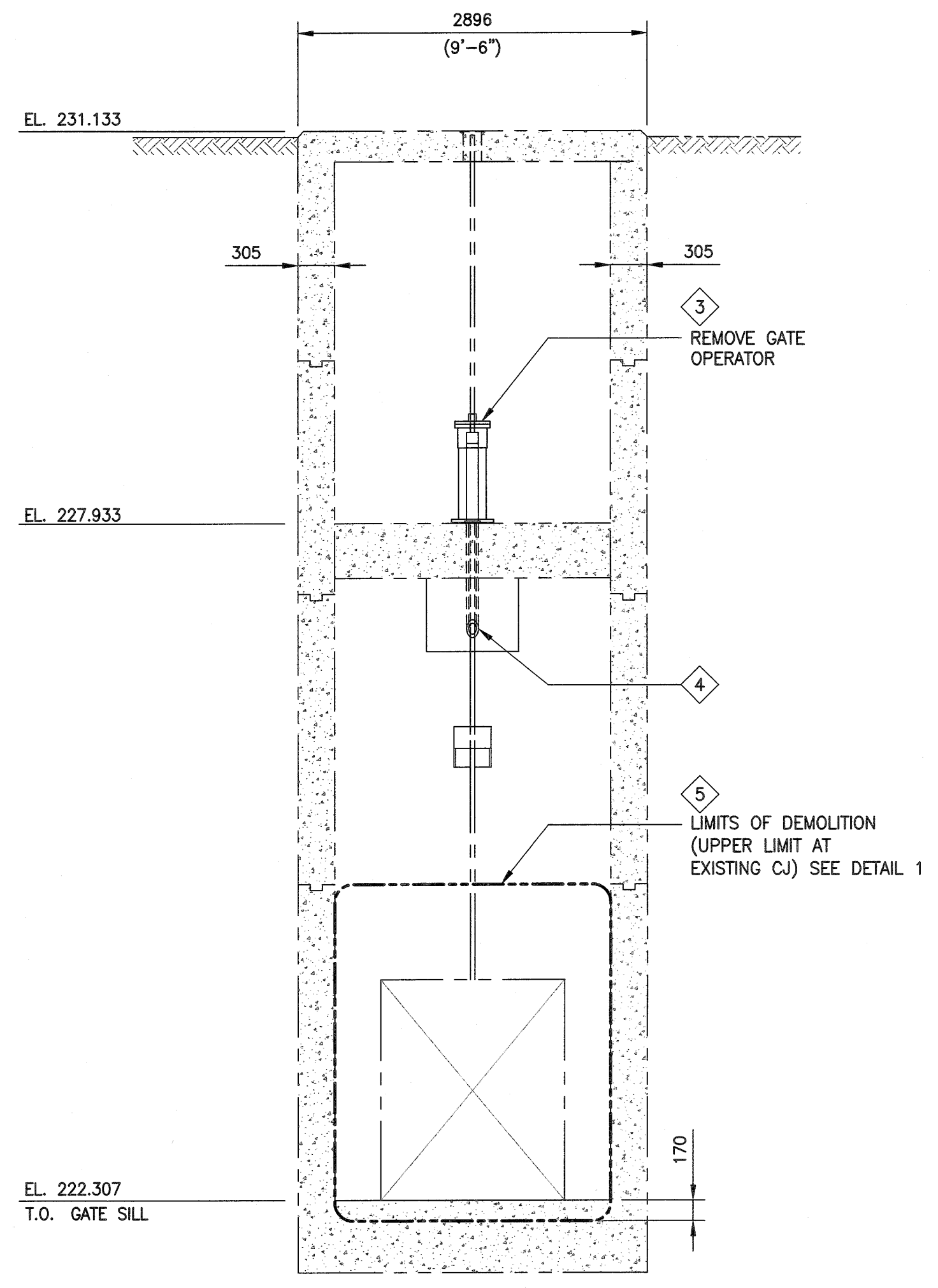
**PLAN**  
SCALE: 1:40



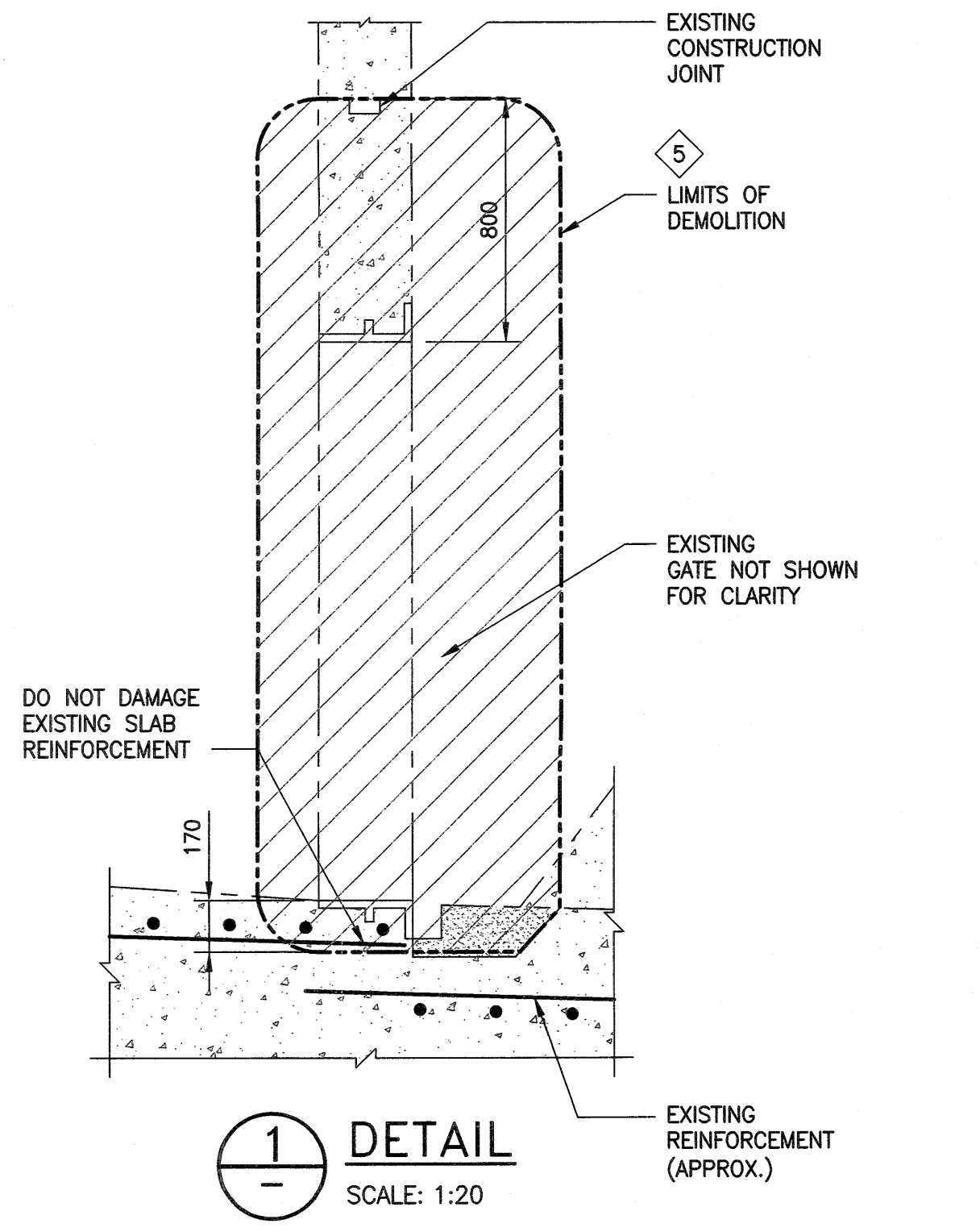
**A SECTION**  
SCALE: 1:40



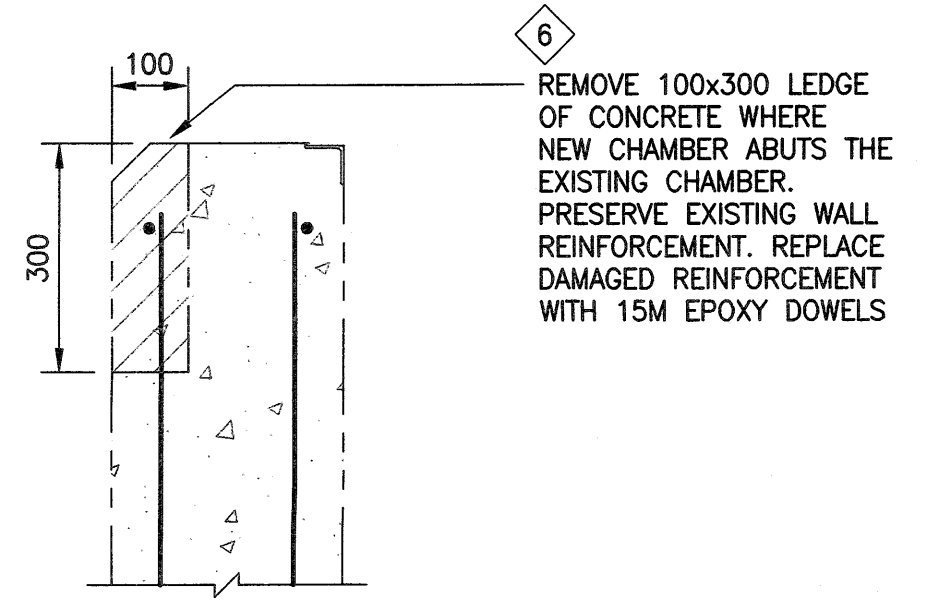
**B SECTION**  
SCALE: 1:40



**C SECTION**  
SCALE: 1:40



**1 DETAIL**  
SCALE: 1:20

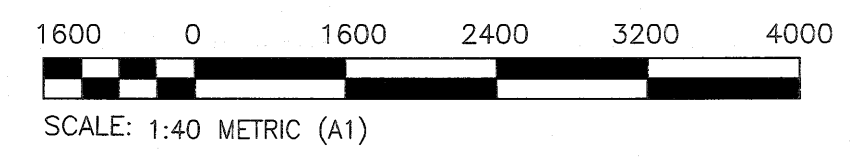


**2 DETAIL**  
SCALE: 1:10

**METRIC**  
WHOLE NUMBERS INDICATE MILLIMETRES  
DECIMALIZED NUMBERS INDICATE METRES

- DEMOLITION:**
- ALL DEMOLITION WORK TO BE COMPLETED IN ACCORDANCE WITH THE REQUIREMENTS OF ALL PERTINENT BUILDING CODES, THE MANITOBA DEPARTMENT OF LABOUR, AND ANY OTHER PROVINCIAL AND LOCAL BY-LAWS, REGULATIONS AND ORDINANCES.
  - DEMOLITION TO INCLUDE THE SAFE REMOVAL, HAULING AND DUMPING OF ALL DEBRIS, ETC. TO AN APPROVED SITE.

- DEMOLITION SCOPE OF WORK:**
- REMOVE EXISTING GALVANIZED STEEL LADDERS AND ALL ASSOCIATED HARDWARE (INCLUDING SAFETY CAGES).
  - CUT AND REMOVE EXISTING CONCRETE SEWER PIPE AND CONC. COLLAR IMMEDIATELY UPSTREAM OF EXISTING CHAMBER. CAST 200 WIDE SADDLE TO SUPPORT PIPE PRIOR TO CUTTING.
  - REMOVE EXISTING SLIDE GATE, OPERATOR AND ASSOCIATED HARDWARE (CAN ONLY BE REMOVED AFTER INSTALLATION OF FLAP GATE AND NEW SLIDE GATE HAS BEEN DELIVERED).
  - CORE 100 DIA. HOLE FOR NEW SLIDE GATE STEM.
  - REMOVE CONCRETE AND EMBEDDED THIMBLE TO FACILITATE INSTALLATION OF NEW SLIDE GATE THIMBLE.
  - REMOVE LEDGE AT TOP OF EXIST. CONCRETE CHAMBER WALL TO FACILITATE NEW CHAMBER ROOF TIE-IN.



**ENGINEERS  
GEOSCIENTISTS  
MANITOBA**  
 Certificate of Authorization  
 KGS Group  
 No. 245

FIELD BOOK #:		KGS GROUP CONSULTING ENGINEERS	
POSTED TO L.BIS		DESIGNED BY: KR D	CHECKED BY: CWS
		DRAWN BY: FBV	APPROVED BY: CWS
		HDR. SCALE: AS NOTED	RELEASED FOR CONSTRUCTION
		VERTICAL: AS NOTED	
0 ISSUED FOR CONSTRUCTION	18/09/11	DATE	2018 05 16
NO. REVISIONS	DATE	BY	DATE

ENGINEER'S SEAL  
  
 S01

**THE CITY OF WINNIPEG**  
 WATER AND WASTE DEPARTMENT  
 DONALD OUTFALL CHAMBER UPGRADES  
**STRUCTURAL**  
 GATE CHAMBER PARTIAL DEMOLITION  
 PLAN & SECTIONS  
 SHEET 4 OF 24  
 CITY DRAWING NUMBER  
 LD-8636