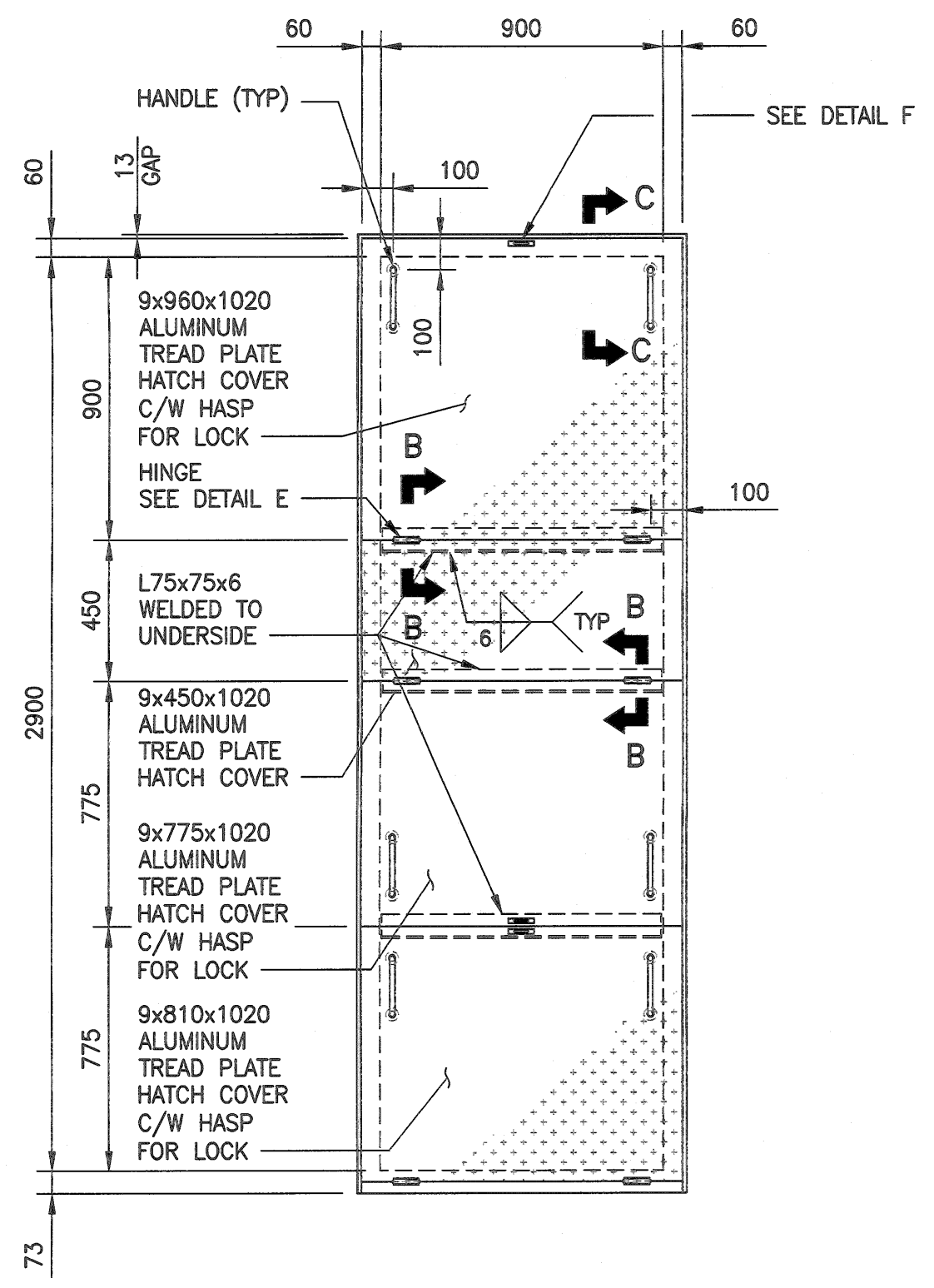
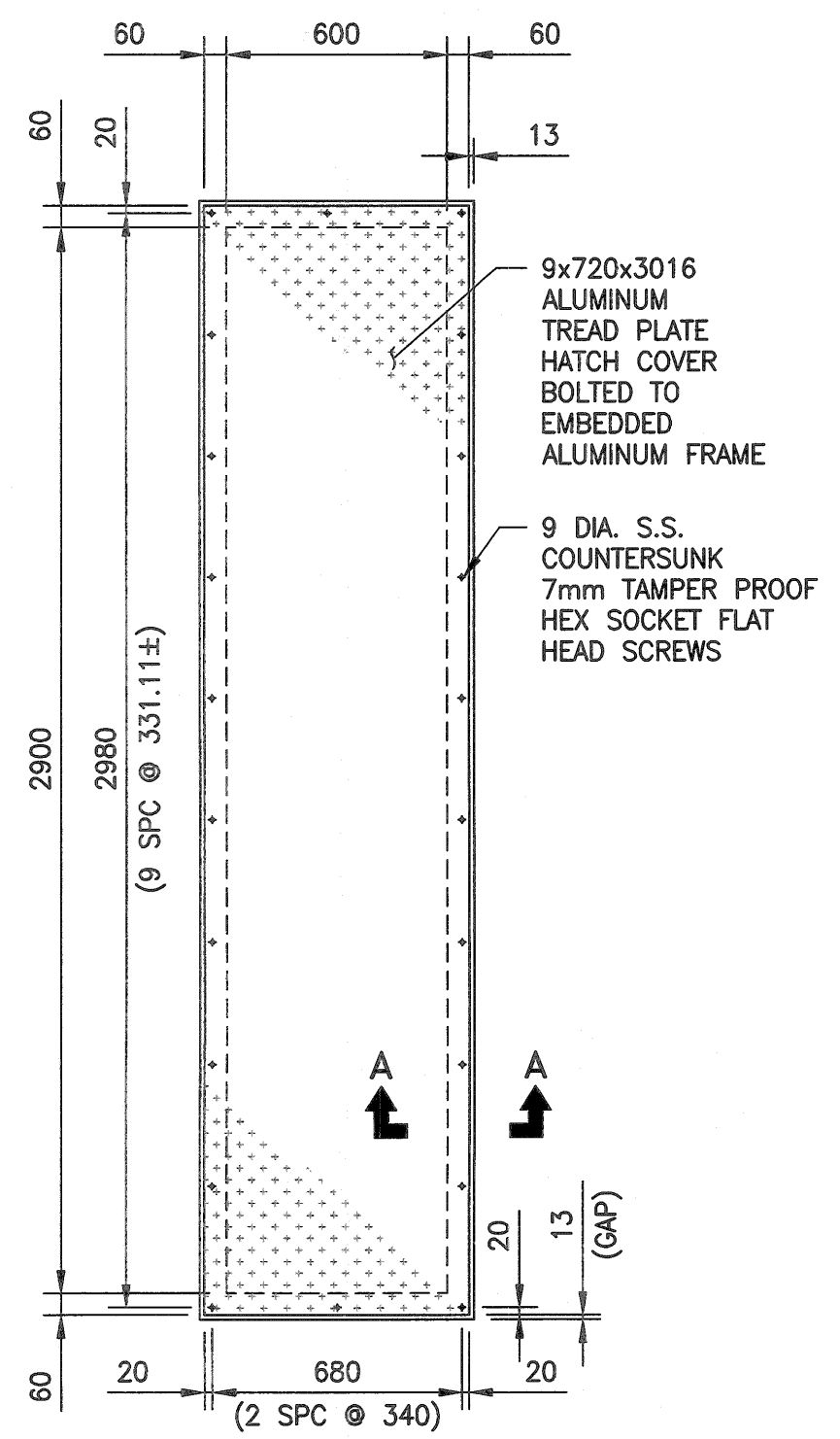


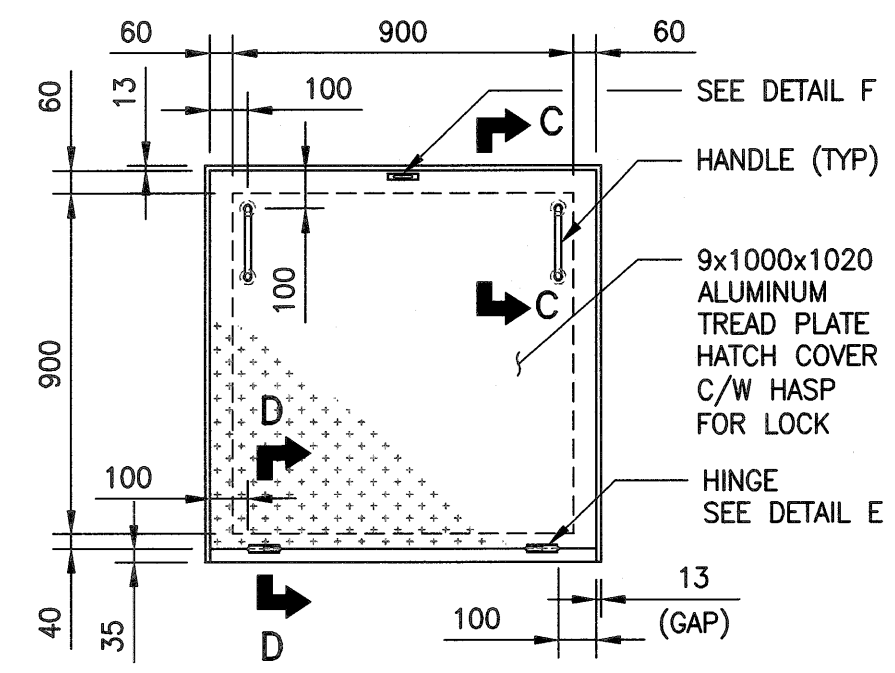
File Name: P:\Projects\2018\18-0107-005_S05.dwg - Tab: S05 Plotted By: D.Deroche 09/11/2018 [Tue 9:13am]



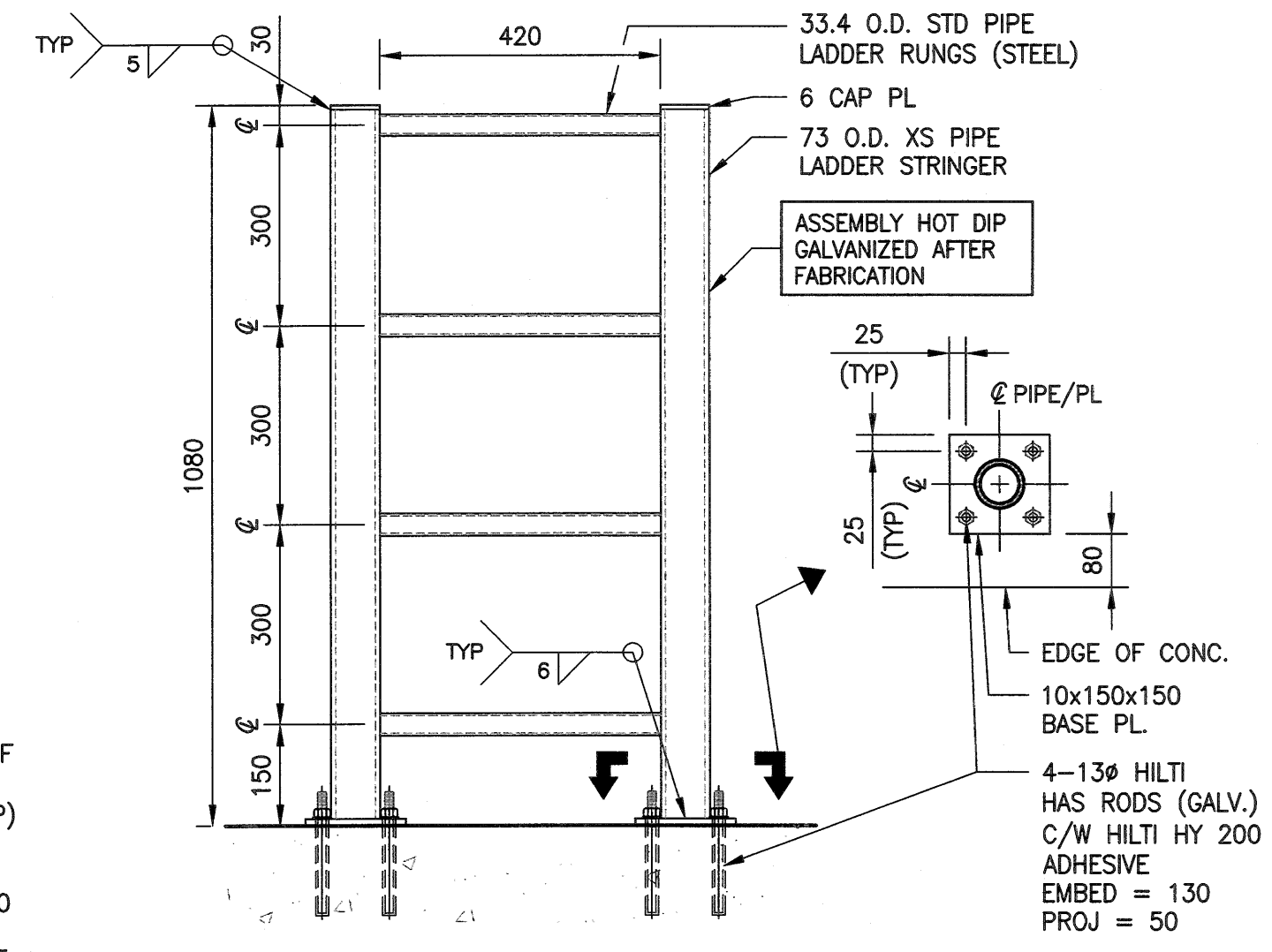
4 **DETAIL**
S02 SCALE: 1:20



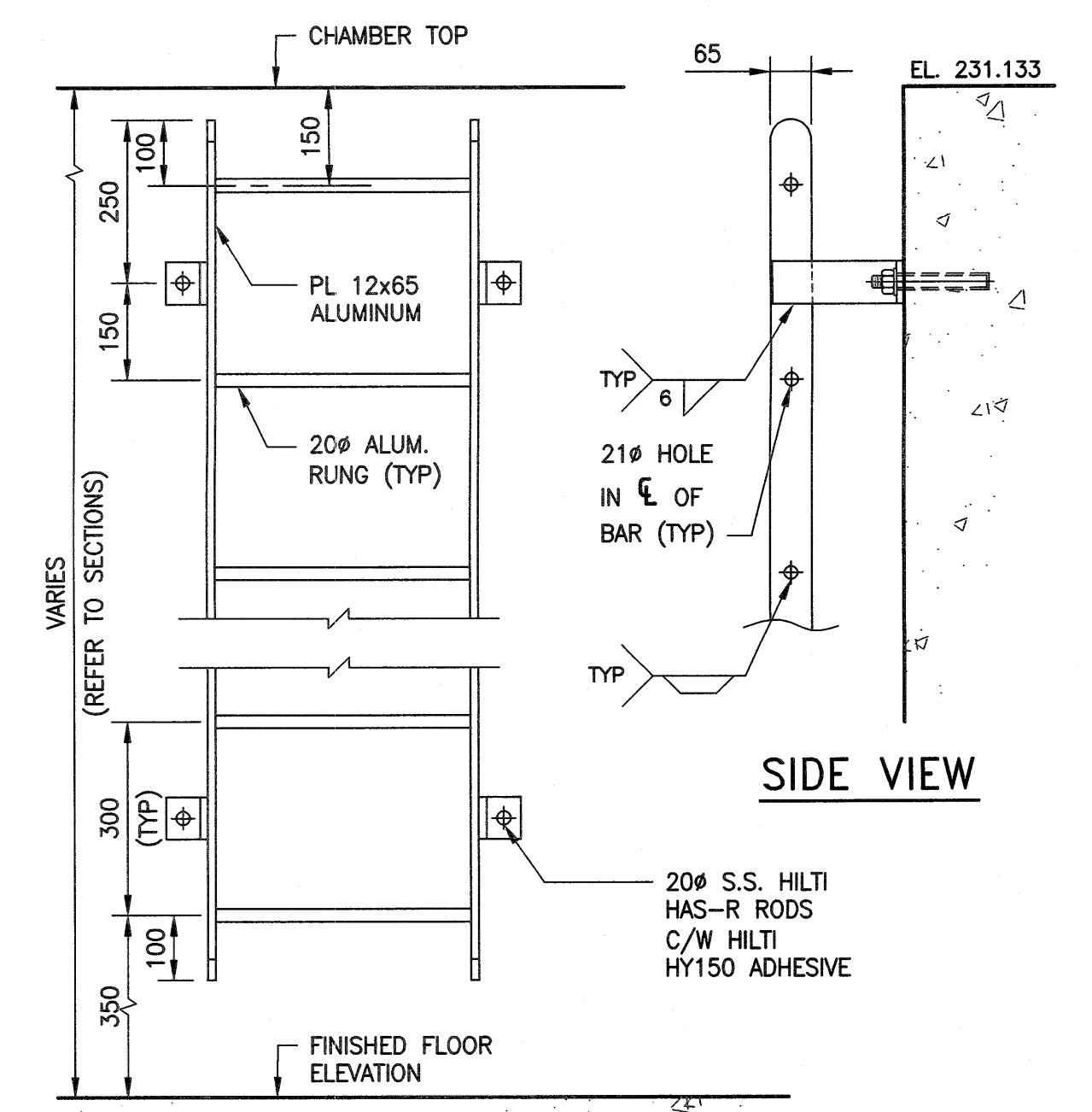
5 **DETAIL**
S02 SCALE: 1:20



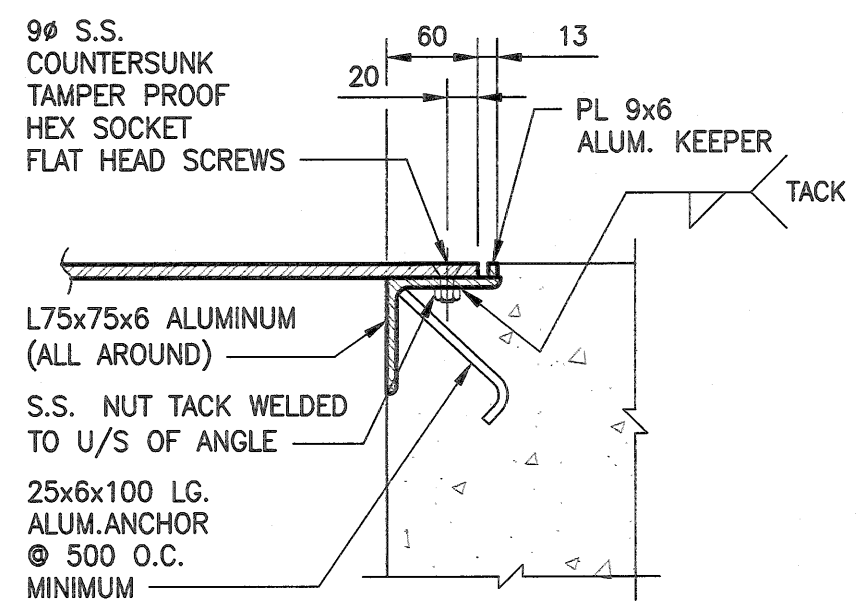
6 **DETAIL**
S02 SCALE: 1:20



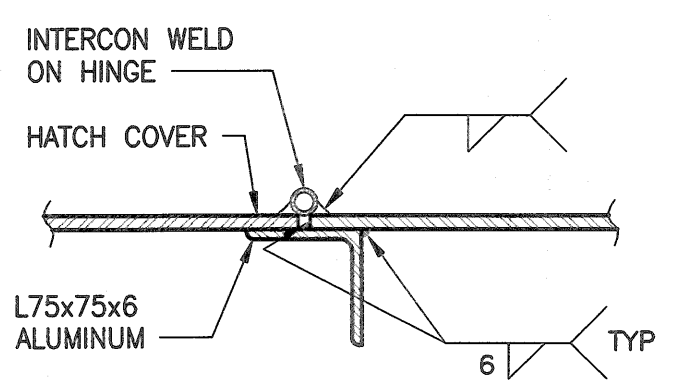
DETAIL - LADDER EXTENSION
SCALE: 1:10 (2 REQ'D.)



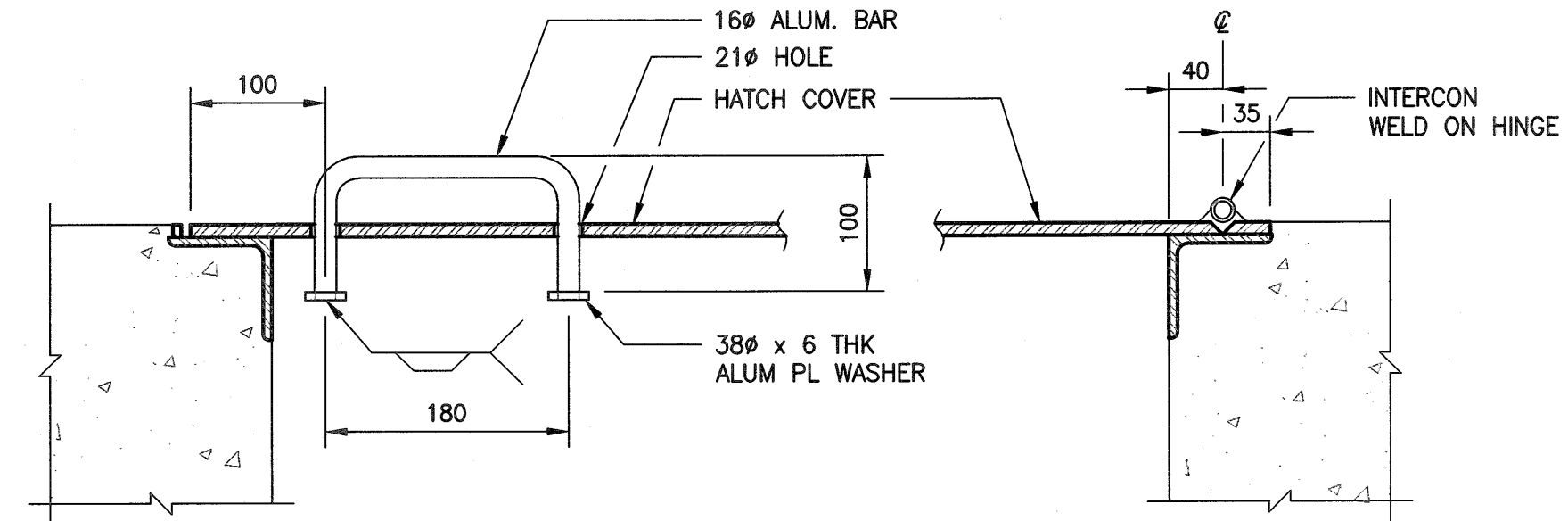
ELEVATION
PLAN
DETAIL - LADDER
SCALE: 1:10 (4 REQ'D.)



SECTION A-A
SCALE: 1:5

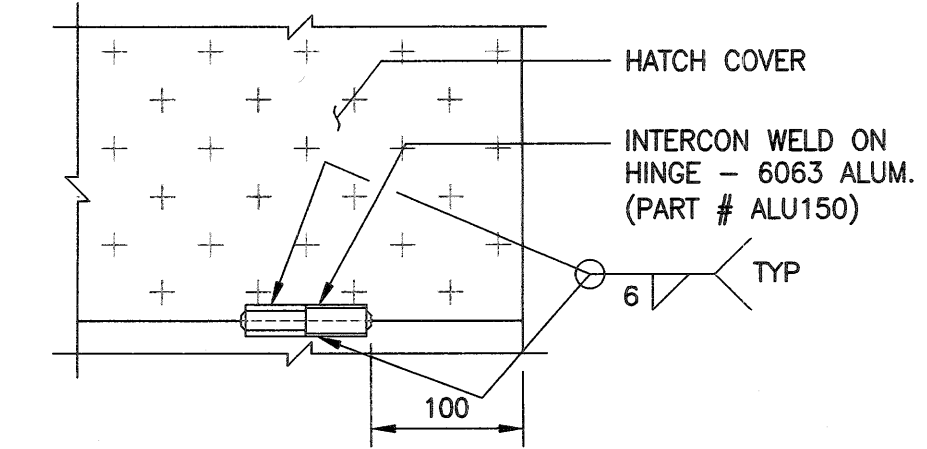


SECTION B-B
SCALE: 1:5

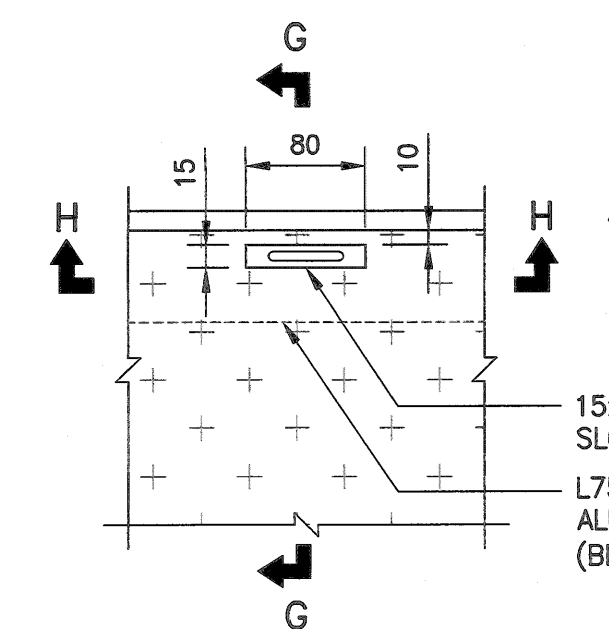


SECTION C-C
SCALE: 1:5

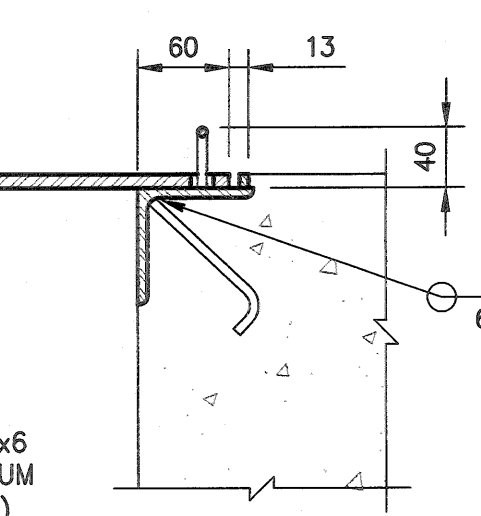
SECTION D-D
SCALE: 1:5



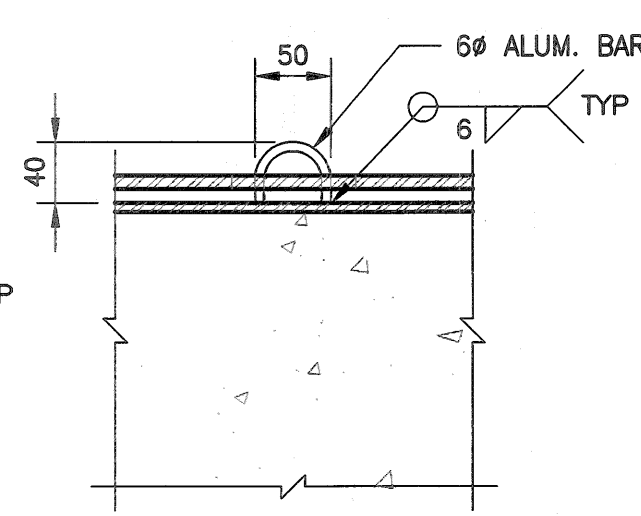
DETAIL E
SCALE: 1:5



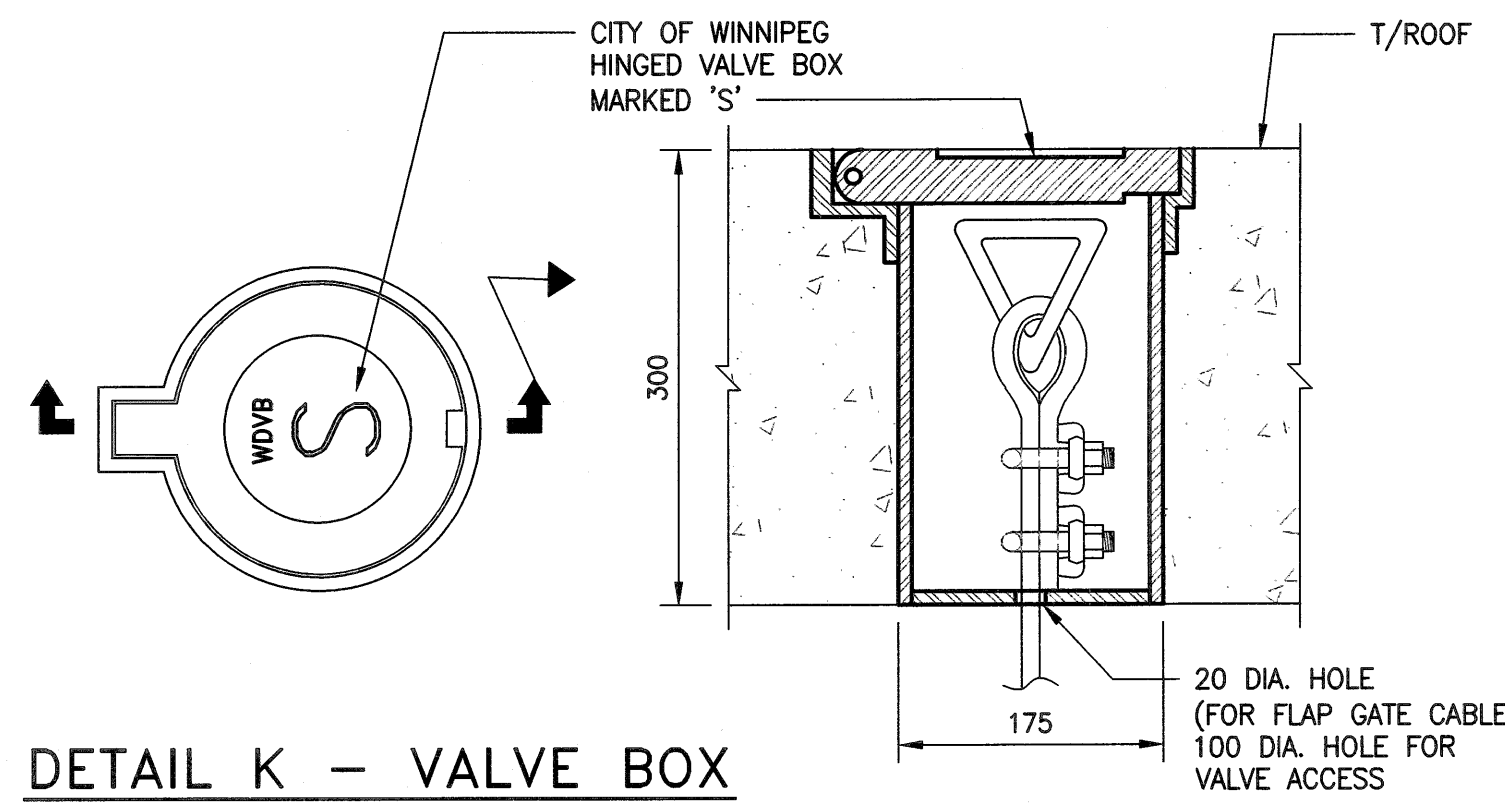
DETAIL F
SCALE: 1:5



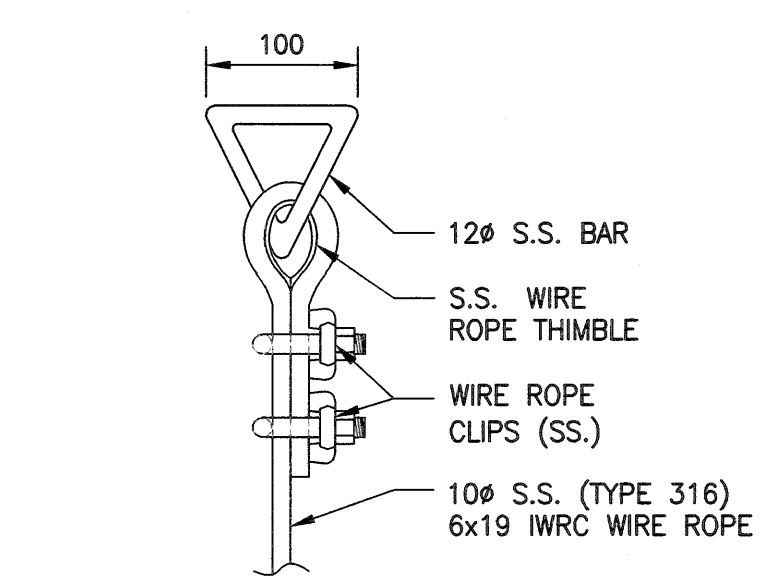
SECTION G-G
SCALE: 1:5



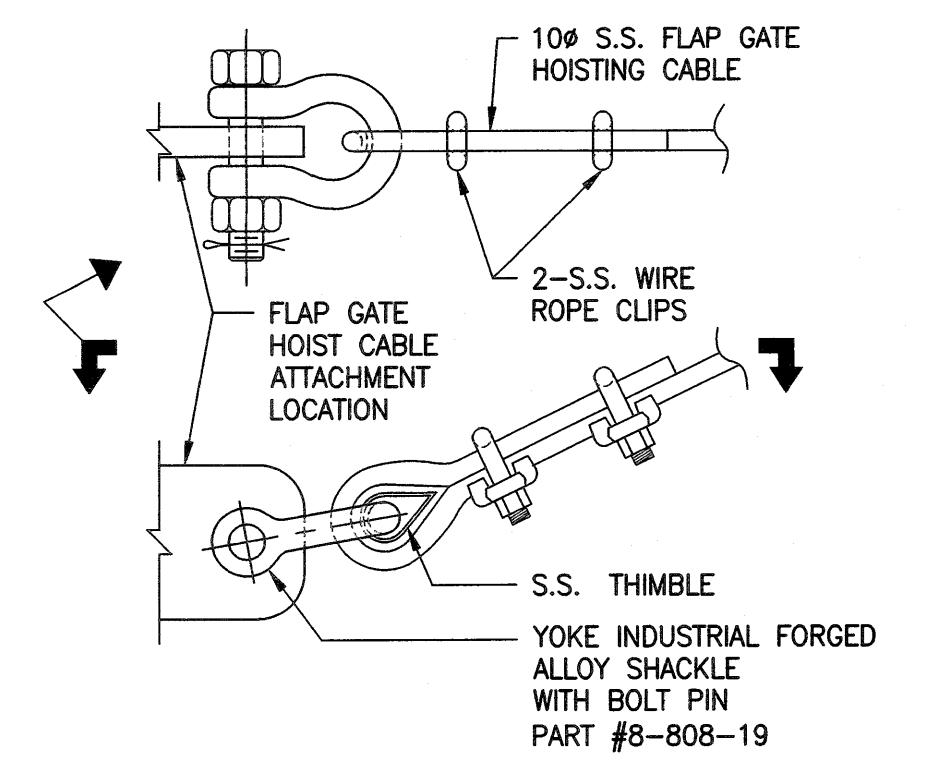
SECTION H-H
SCALE: 1:5



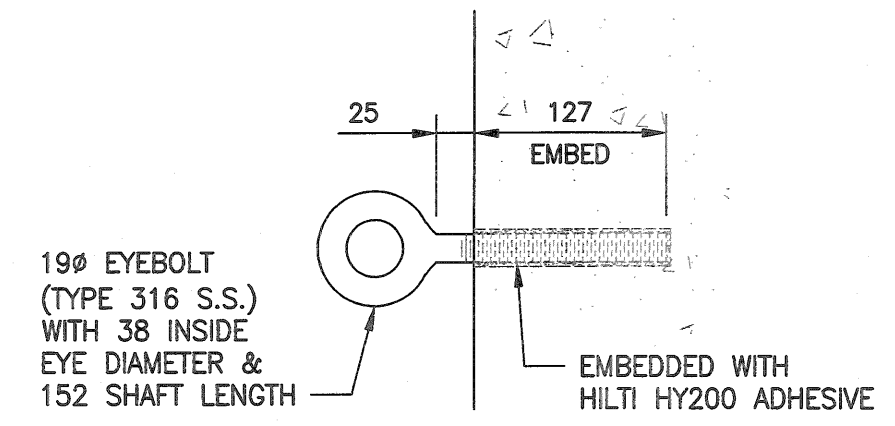
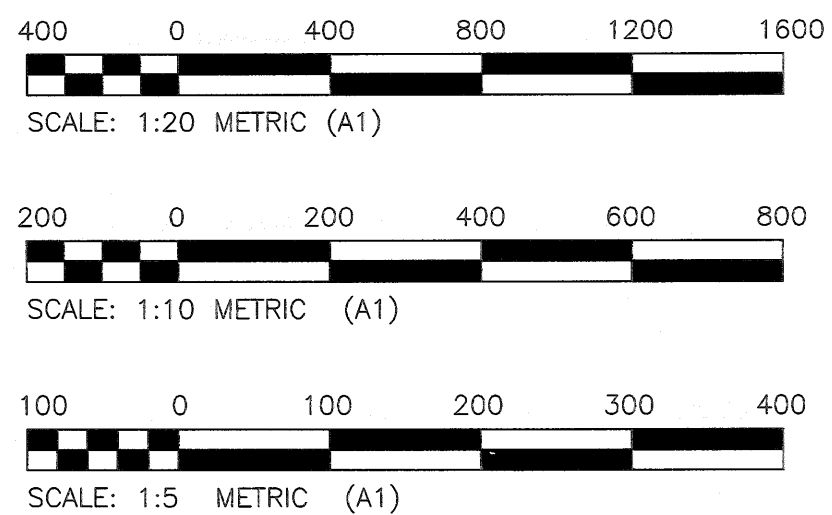
DETAIL K - VALVE BOX
SCALE: 1:5 (2 REQ'D.)



LIFTING RING DETAIL
SCALE: 1:5



DETAIL L - HOIST CABLE
SCALE: 1:5



DETAIL M - EYE BOLT
SCALE: 1:5

ENGINEERS
GEOSCIENTISTS
 MANITOBA
 Certificate of Authorization
 KGS Group
 No. 245

FIELD BOOK #		KGS GROUP CONSULTING ENGINEERS		ENGINEER'S SEAL	
DESIGNED BY	KRD	CHECKED BY	CMS		
DRAWN BY	FBV	APPROVED BY	CMS		
HOR. SCALE	AS NOTED	RELEASED FOR CONSTRUCTION			
ISSUED FOR CONSTRUCTION	18/09/11	DATE	2018 05 16	S05	
REVISIONS	DATE	BY	DATE		

THE CITY OF WINNIPEG
 WATER AND WASTE DEPARTMENT
 DONALD OUTFALL CHAMBER UPGRADES
STRUCTURAL
 MISCELLANEOUS METALS DETAILS

SHEET 8 OF 24
 CITY DRAWING NUMBER
 LD-8640

METRIC
 WHOLE NUMBERS INDICATE MILLIMETRES
 DECIMALIZED NUMBERS INDICATE METRES