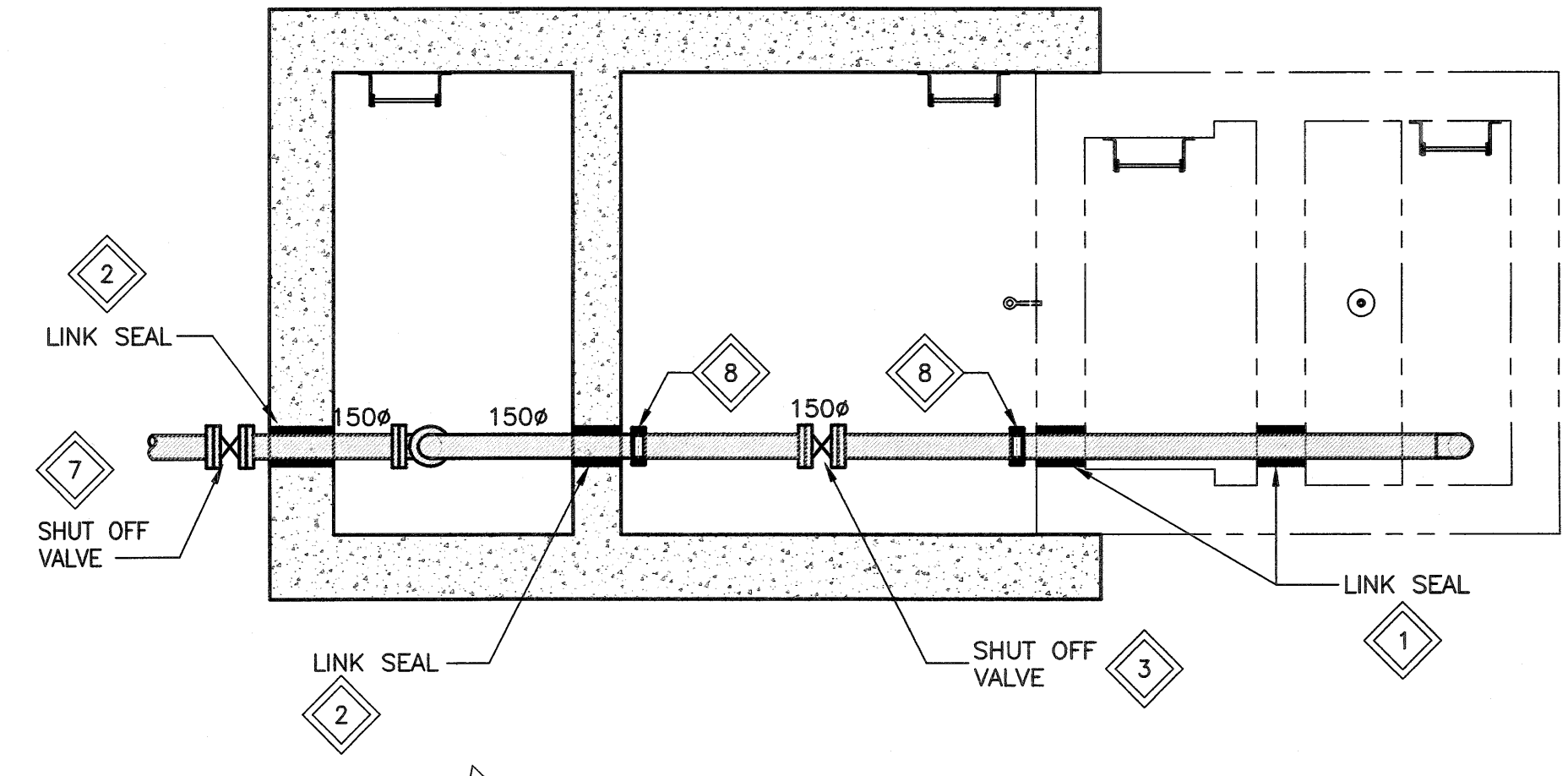
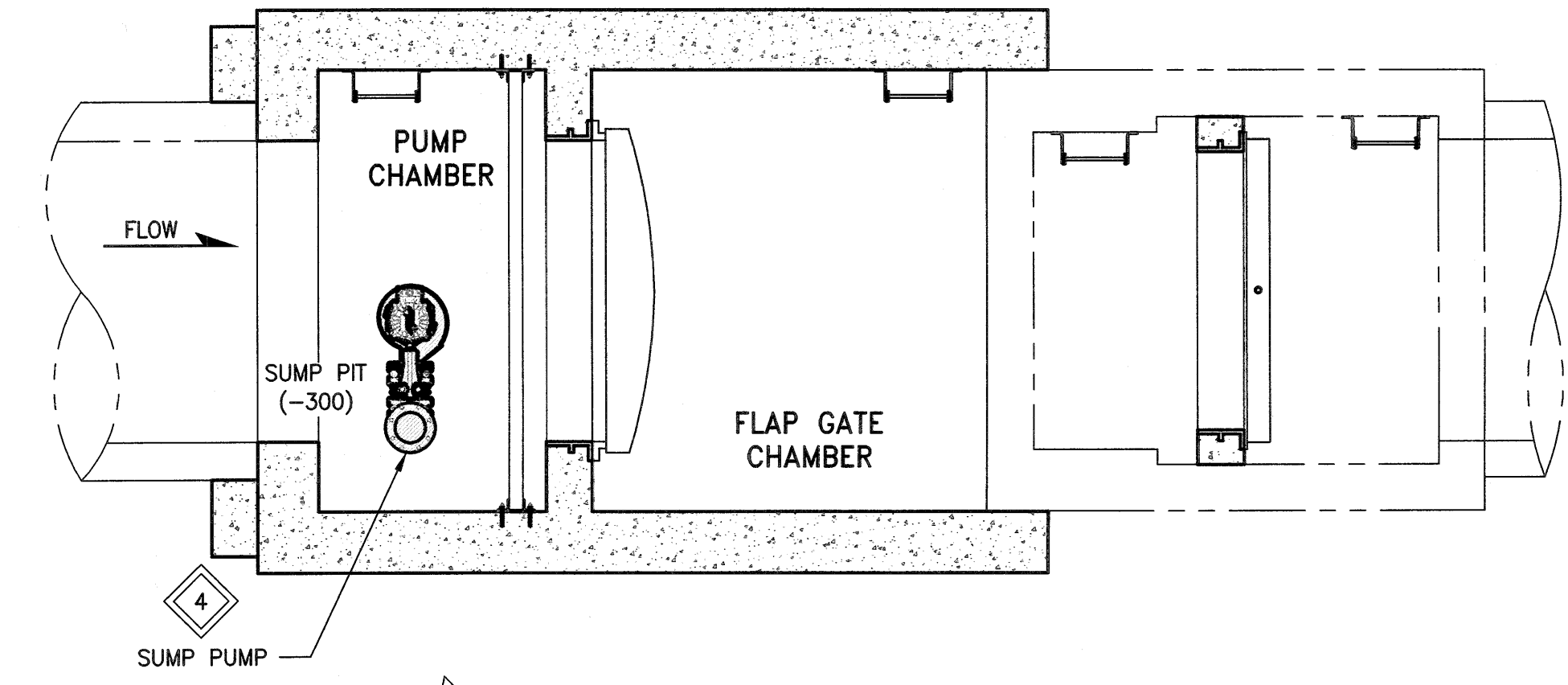


SECTION A
SCALE: 1:40



PLAN - EL. 230.050
SCALE: 1:40

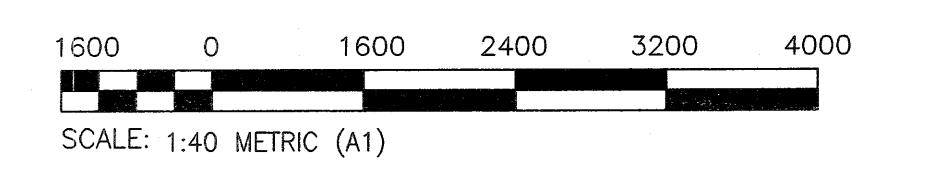


PLAN - EL. 222.257
SCALE: 1:40

- KEYNOTES:**
- 1 CORE THROUGH EXISTING CONCRETE TO SUIT NEW PIPING. PROVIDE LINK-SEAL CLOSURE AROUND OPENING.
 - 2 PROVIDE NEW CAST IN PLACE PIPE SLEEVE WITHIN NEW CONCRETE. PROVIDE LINK-SEAL CLOSURE AROUND OPENING.
 - 3 PROVIDE NEW PLUG SHUT-OFF VALVE WITH VALVE BOX, EXTEND BONNET ASSEMBLY LOCKABLE COVER, VALVE STEM EXTENSIONS AND VALVE POSITION INDICATOR. REFER TO SPECIFICATIONS FOR DETAILS.
 - 4 PROVIDE NEW SUMP PUMP WITH GUIDE RAILS, LIFT CHAIN, CHECK VALVE, PUMP BASE AND ASSOCIATED PIPING. SUPPORT GUIDE RAILS BACK TO THE CONCRETE CHAMBER WALL AT INTERVALS RECOMMENDED BY THE SYSTEM SUPPLIER. PROVIDE PIPING SUPPORTS TO THE CHAMBER WALL FOR ALL VERTICAL PIPING AND HANGING SUPPORTS FOR THE HORIZONTAL PIPING.
 - 5 NEW VALVE OPERATOR 50mm WITH EXTENSION TO VALVE BOX COVER PLATE. SUPPORT SECURELY FROM CHAMBER WALL.
 - 6 FASTEN PIPE TO CHAMBER WALL AT MINIMUM 3.0m INTERVALS AND AT CHANGES IN PIPE DIRECTION.

- 7 PROVIDE NEW RESILIENT SEALED GATE SHUT-OFF VALVE WITH FLOOR BOX, LOCKABLE COVER, VALVE STEM EXTEND BONNET ASSEMBLY EXTENSIONS AND VALVE POSITION INDICATOR. REFER TO SPECIFICATIONS FOR DETAILS.
- 8 PROVIDE GROOVED PIPE COUPLING CONNECTIONS FOR DISASSEMBLY OF PIPE.
- 9 PROVIDE TAPPED 6mmø WEeping HOLE IN VERTICAL PIPE SECTION 200mm DOWNSTREAM OF CHECK VALVE
- 10 PROVIDE VACUUM BREAKER WITH FLANGED CONNECTIONS.

- LEGEND:**
- NEW PIPING/EQUIPMENT
 - NEW SHUT OFF VALVE
 - NEW CHECK VALVE



METRIC
WHOLE NUMBERS INDICATE MILLIMETRES
DECIMALIZED NUMBERS INDICATE METRES

**ENGINEERS
GEOLOGISTS
MANITOBA**
Certificate of Authorization
KGS Group
No. 245

NO.	REVISIONS	DATE	BY
0	ISSUED FOR CONSTRUCTION	18/09/13	KGC

DESIGNED BY RCC		CHECKED BY <i>rcb</i>	
DRAWN BY EAG		APPROVED BY <i>rcb</i>	
HOR. SCALE AS NOTED		RELEASED FOR CONSTRUCTION K. ZUREK	
VERTICAL AS NOTED		DATE 2018 07 25	
		DATE 2018 09 11	

ENGINEER'S SEAL

M01

THE CITY OF WINNIPEG
WATER AND WASTE DEPARTMENT

DONALD OUTFALL CHAMBER UPGRADES

MECHANICAL
PLANS AND SECTIONS

SHEET 9 OF 24
CITY DRAWING NUMBER
LD-8641