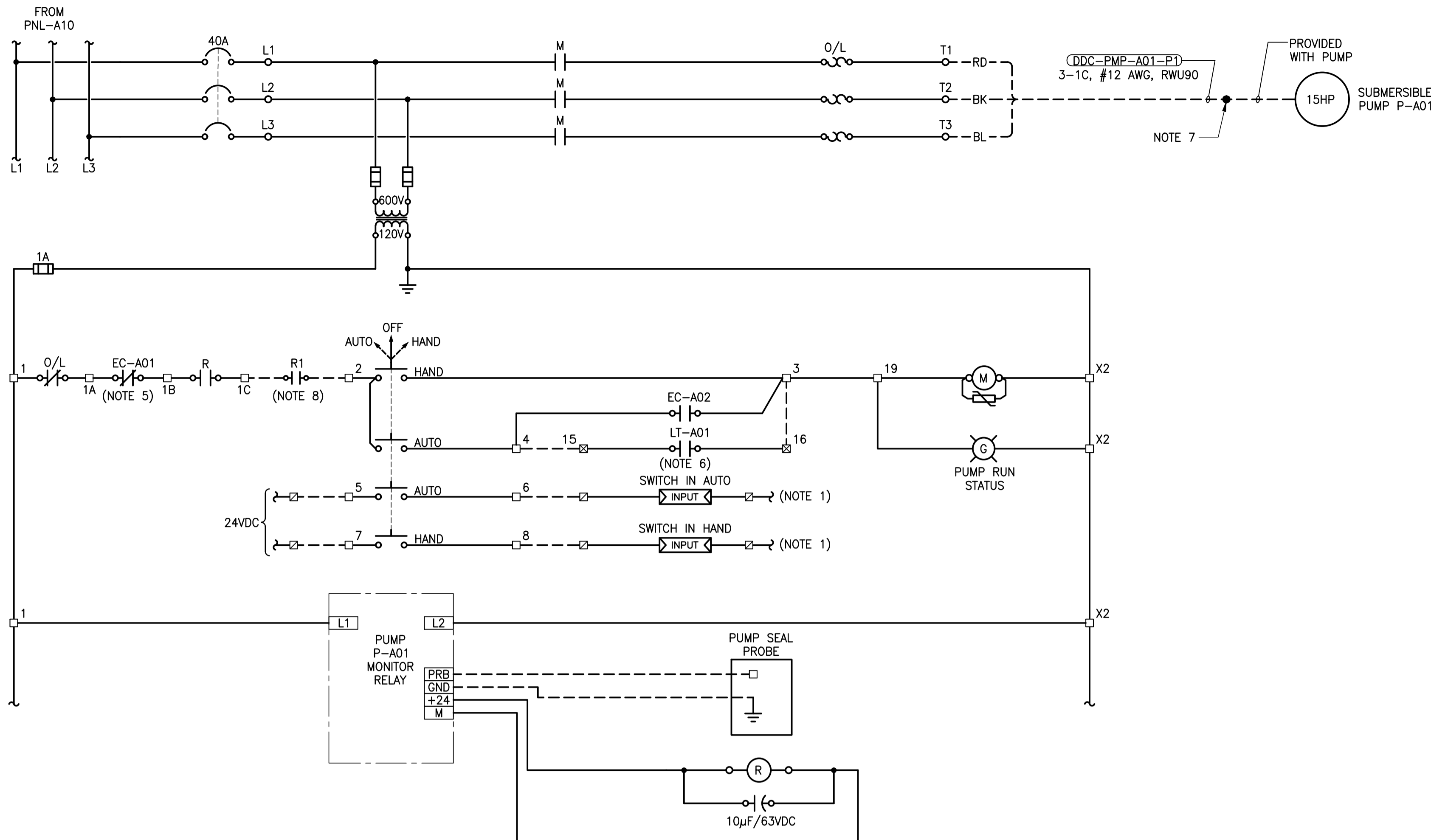
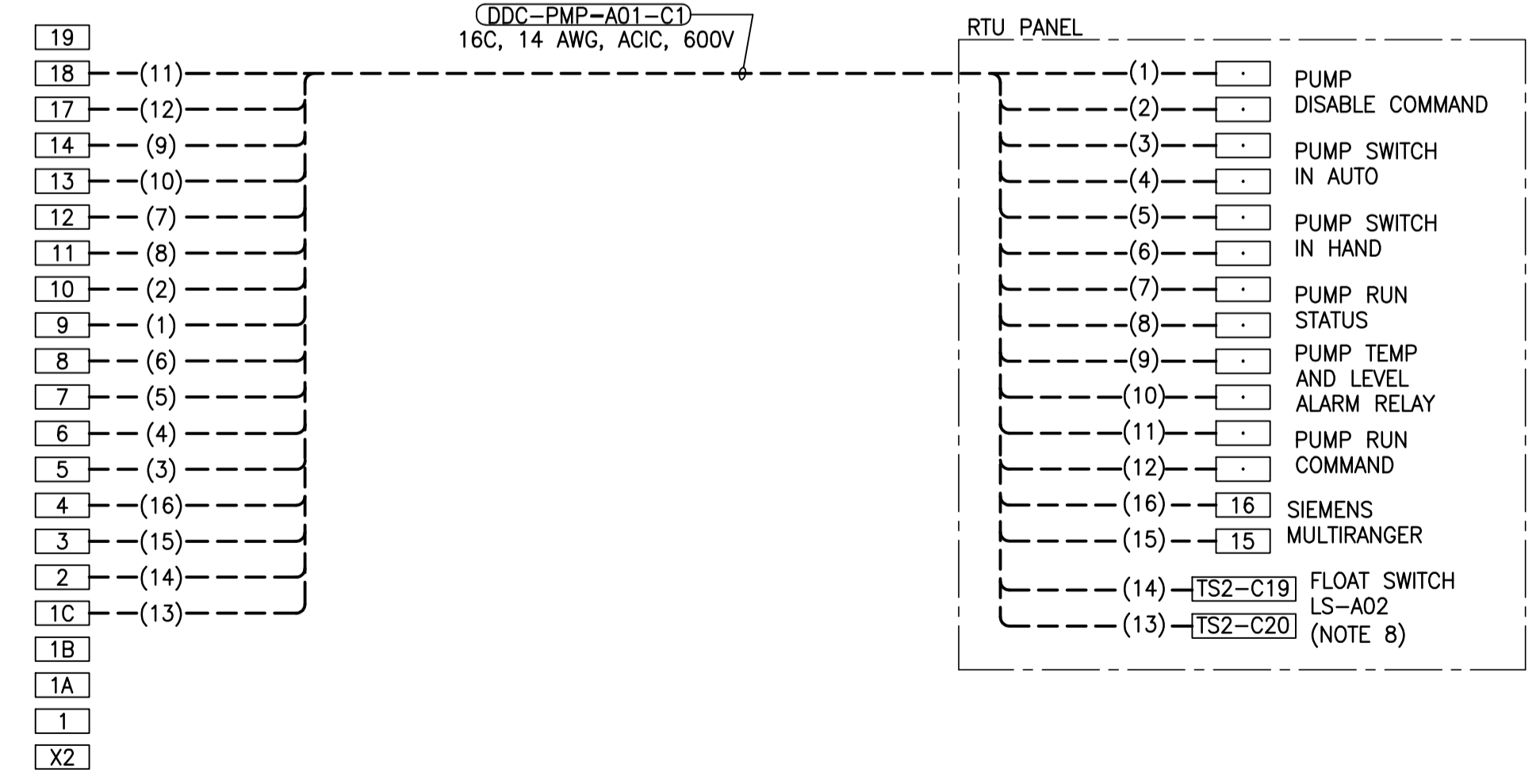
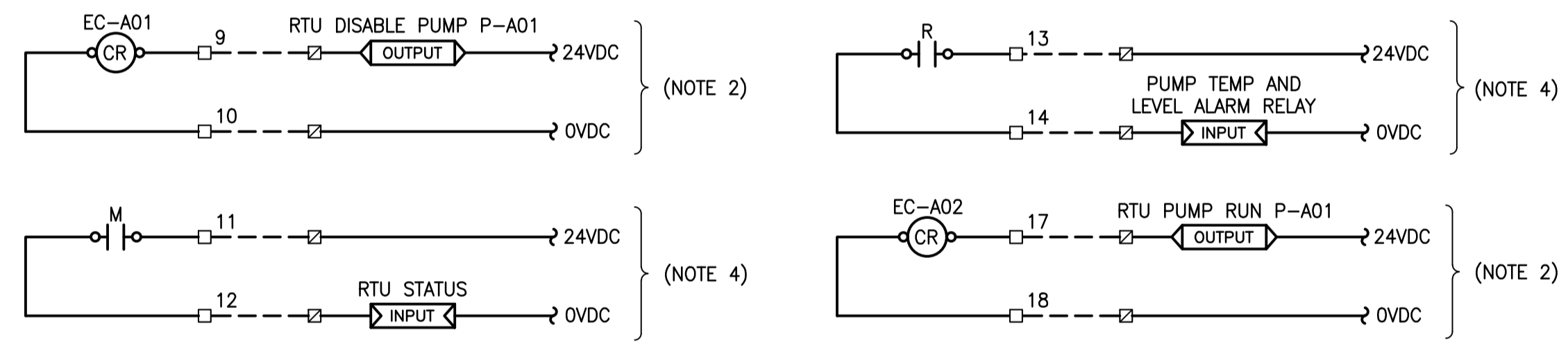


File Name: \\k-file-4-p-data\Projects\2018\18-0107-005\Dwg\Elec\18-0107-005\_E02.dwg - Tab: E02 Plotted By: jdeleon 09/12/2018 [Wed 11:29am] CW-9-M564-1



- NOTES:**
- REFER TO DRAWING LD-8651 (E10) FOR COMPLETE CIRCUIT DETAILS.
  - REFER TO DRAWING LD-8655 (E14) FOR ADDITIONAL DETAILS.
  - PROVIDE A NEMA 1 ENCLOSURE TO HOUSE ALL LOCAL COMPONENTS AND SIZE AS REQUIRED.
  - REFER TO DRAWING LD-8654 (E13) FOR COMPLETE CIRCUIT DETAILS.
  - REMOTE PUMP DISABLE. COMMAND FROM RTU. CLOSE CONTACT UPON LOSS OF SIGNAL.
  - PUMP RUN COMMAND FROM THE SIEMENS MULTIRANGER.
  - CONNECTION SHALL BE MADE IN A NON-METALLIC NEMA 4 RATED JUNCTION BOX LOCATED IN THE PUMP CHAMBER IMMEDIATELY BELOW HATCH.
  - REFER TO DRAWING LD-8649 (E08) FOR COMPLETE CIRCUIT DETAILS.

- LEGEND:**
- STARTER TERMINAL
  - ▣ RTU TERMINAL
  - ▤ FIELD DEVICE TERMINAL
  - PANEL WIRING
  - - - FIELD WIRING
  - WIRE CONNECTION
  - PILOT LIGHT
  - ◻ OUTPUT RTU OUTPUT
  - ◻ INPUT RTU INPUT
  - LEVEL SWITCH OPENS ON DROPPING LEVEL (NOTE 4)
  - NORMALLY OPEN CONTACT
  - NORMALLY CLOSED CONTACT



**1** SUBMERSIBLE PUMP P-A01 SCHEMATIC  
SCALE: N.T.S. (NOTE 3)



FIELD BOOK #				ENGINEER'S SEAL	
POSTED TO LBIS				DESIGNED BY LU CHECKED BY JAB	
		DRAWN BY JPL APPROVED BY JAB			
		HDR. SCALE AS NOTED RELEASED FOR CONSTRUCTION K. ZUREK			
		VERTICAL AS NOTED			
0 ISSUED FOR CONSTRUCTION 18/09/11 JAB		DATE 2018 MM DD		DATE 2018 09 11	
ND. REVISIONS					

**THE CITY OF WINNIPEG**  
 WATER AND WASTE DEPARTMENT  
 DONALD OUTFALL CHAMBER UPGRADES  
 SHEET 11 OF 24  
 CITY DRAWING NUMBER  
**ELECTRICAL**  
 SUBMERSIBLE PUMP P-A01  
 SCHEMATIC AND WIRING DIAGRAM  
 LD-8643