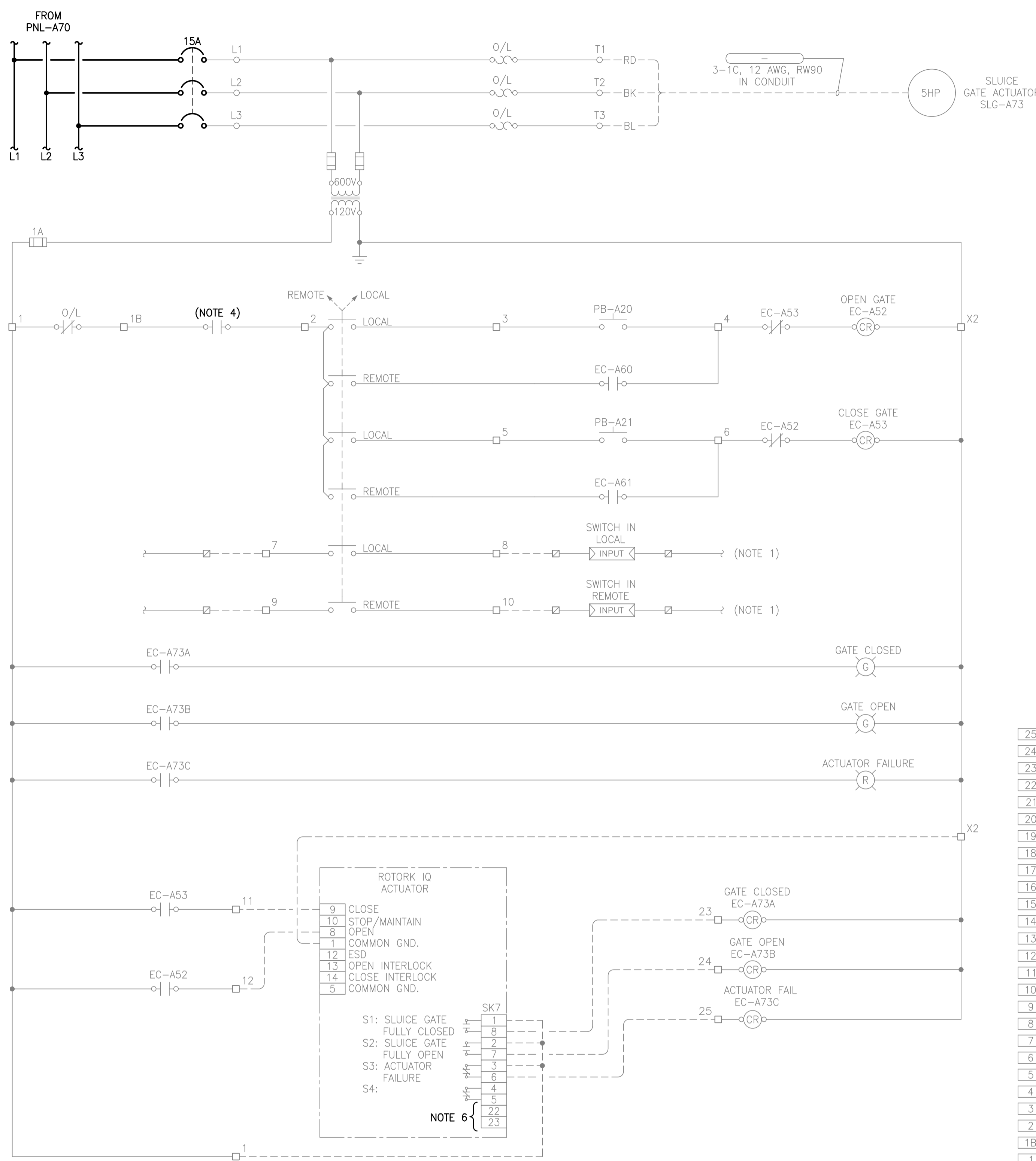
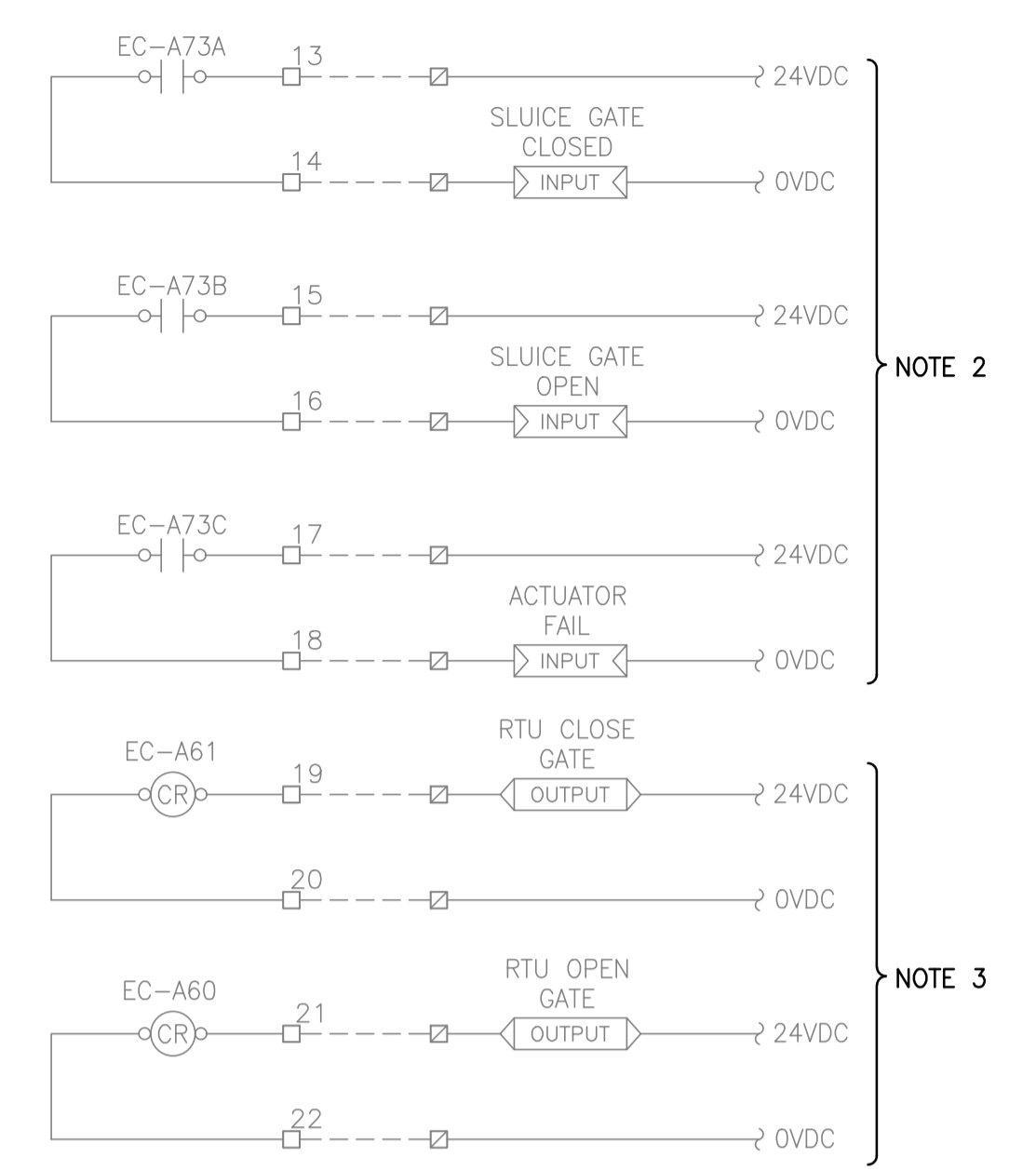


File Name: \\k-file-4\p-data\Projects\2018\18-0107-005\Dwg\Elec\18-0107-005_E03.dwg - Tab: E03 Plotted By: jdeleon 09/12/2018 [Wed 11:28am] CW-9-M564-1

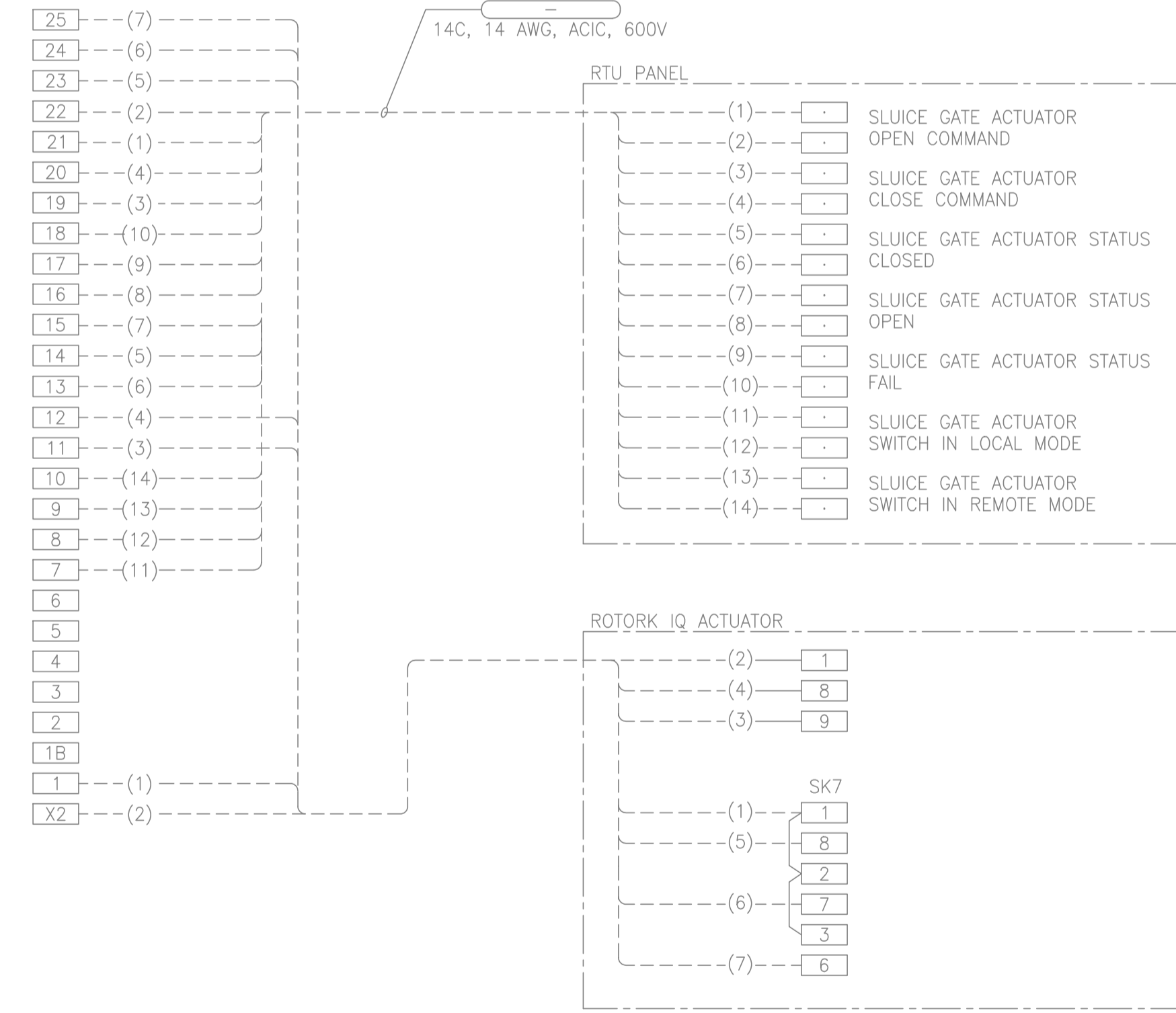


1 SLUICE GATE ACTUATOR SCHEMATIC (NOTES 4,5)
SCALE: N.T.S.



- NOTES:**
- REFER TO DRAWING LD-8652 (E11) FOR COMPLETE CIRCUIT DETAILS.
 - REFER TO DRAWING LD-8654 (E13) FOR ADDITIONAL DETAILS.
 - REFER TO DRAWING LD-8655 (E14) FOR ADDITIONAL DETAILS.
 - PROVIDE NEMA 1 RATED ENCLOSURE TO HOUSE ALL LOCAL COMPONENTS. SIZE AS REQUIRED.
 - EQUIPMENT SHOWN IN GREY NOT IN SCOPE OF WORK. ALLOWANCE SHALL BE MADE FOR FUTURE PROVISIONS.
 - PROVIDE ANALOG 4-20mA POSITION INDICATION (CPT) LOOP POWERED OPTION FOR VALVE POSITION FEEDBACK.

- LEGEND:**
- STARTER TERMINAL
 - RTU TERMINAL
 - FIELD DEVICE TERMINAL
 - PANEL WIRING
 - - - FIELD WIRING
 - WIRE CONNECTION
 - PILOT LIGHT
 - ◁ OUTPUT ▷ RTU OUTPUT
 - ▷ INPUT ◁ RTU INPUT
 - /|/○ NORMALLY OPEN CONTACT
 - /|/○ NORMALLY CLOSED CONTACT
 - (CR) RELAY OPERATING COIL
 - (TR) TRIGGER ACTION PUSH BUTTON TURN-TO-RELEASE OPERATION
 - (R) PUSH BUTTON SPRING RETURN OPERATION



FIELD BOOK #		KGS GROUP CONSULTING ENGINEERS		ENGINEER'S SEAL	
POSTED TO LBIS				DESIGNED BY LU	CHECKED BY JAB
		DRAWN BY JPL	APPROVED BY JAB	E03	
		HDR. SCALE AS NOTED	RELEASED FOR CONSTRUCTION K. ZUREK		
		VERTICAL AS NOTED	DATE 2018 MM DD		
0	ISSUED FOR CONSTRUCTION	18/09/11	JAB	DATE 2018 09 11	
ND.	REVISIONS	DATE	BY	DATE	

THE CITY OF WINNIPEG
WATER AND WASTE DEPARTMENT

DONALD OUTFALL CHAMBER UPGRADES

ELECTRICAL
SLUICE GATE ACTUATOR
SCHEMATIC & WIRING DIAGRAM

SHEET 12 OF 24

CITY DRAWING NUMBER
LD-8644