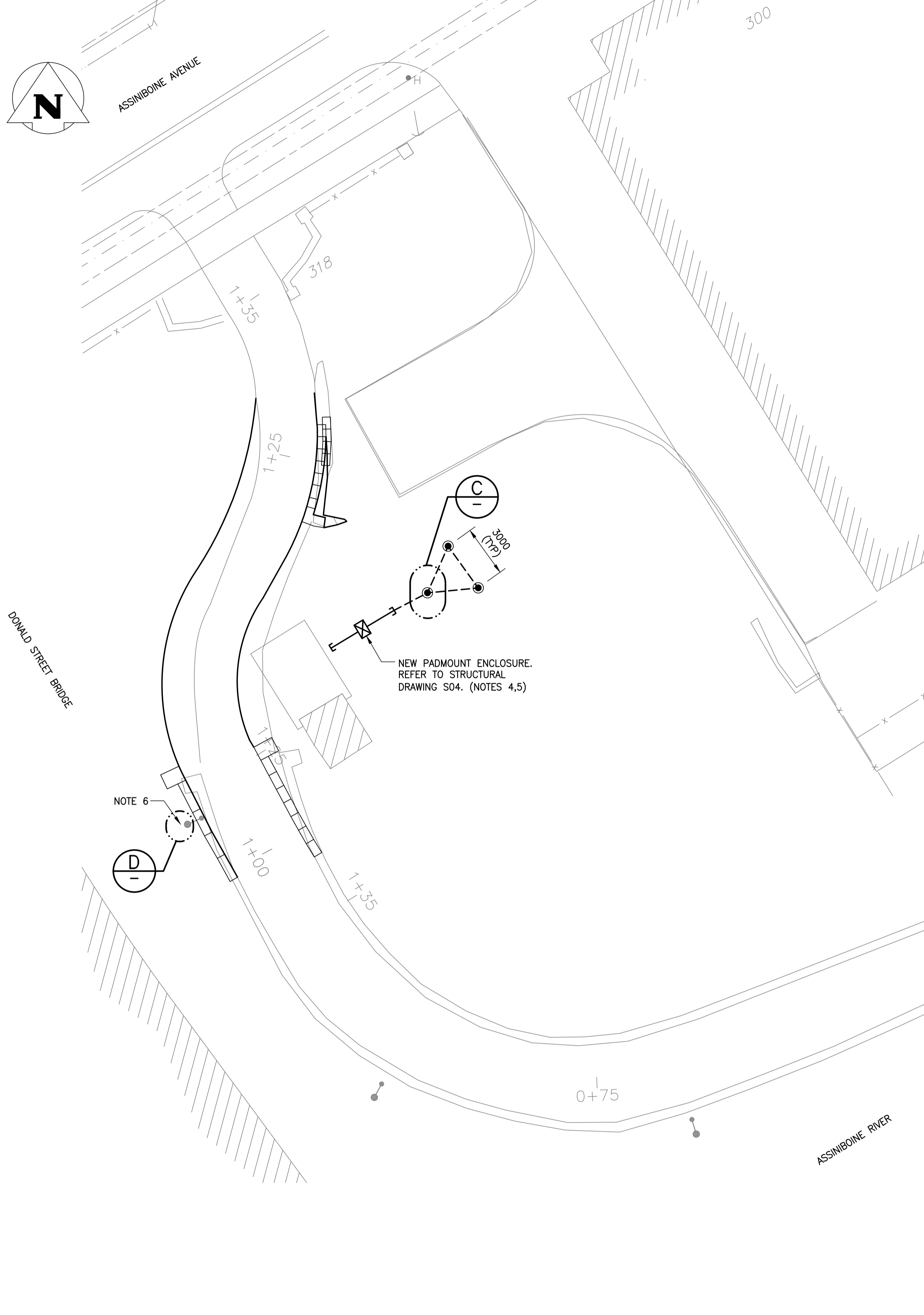


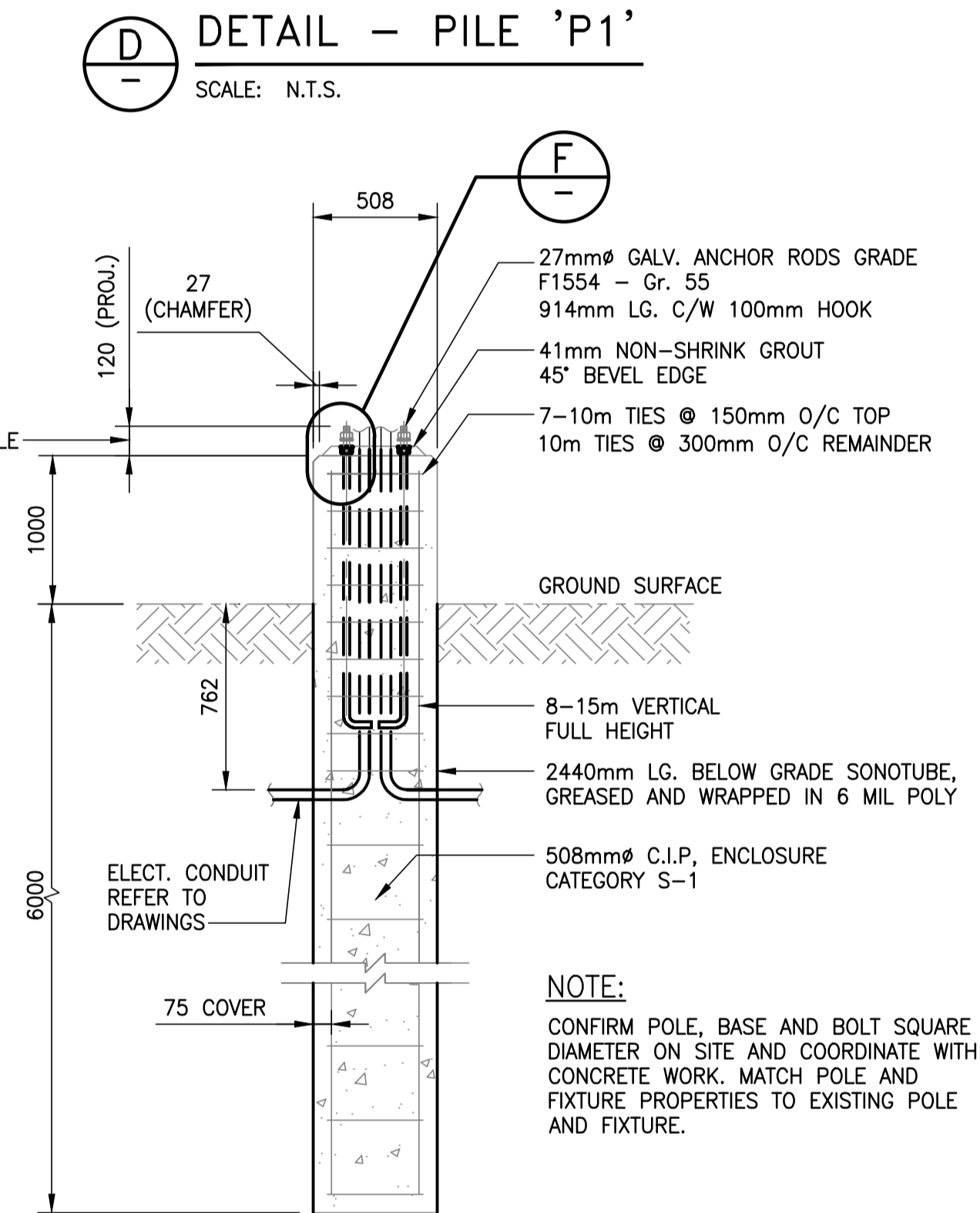
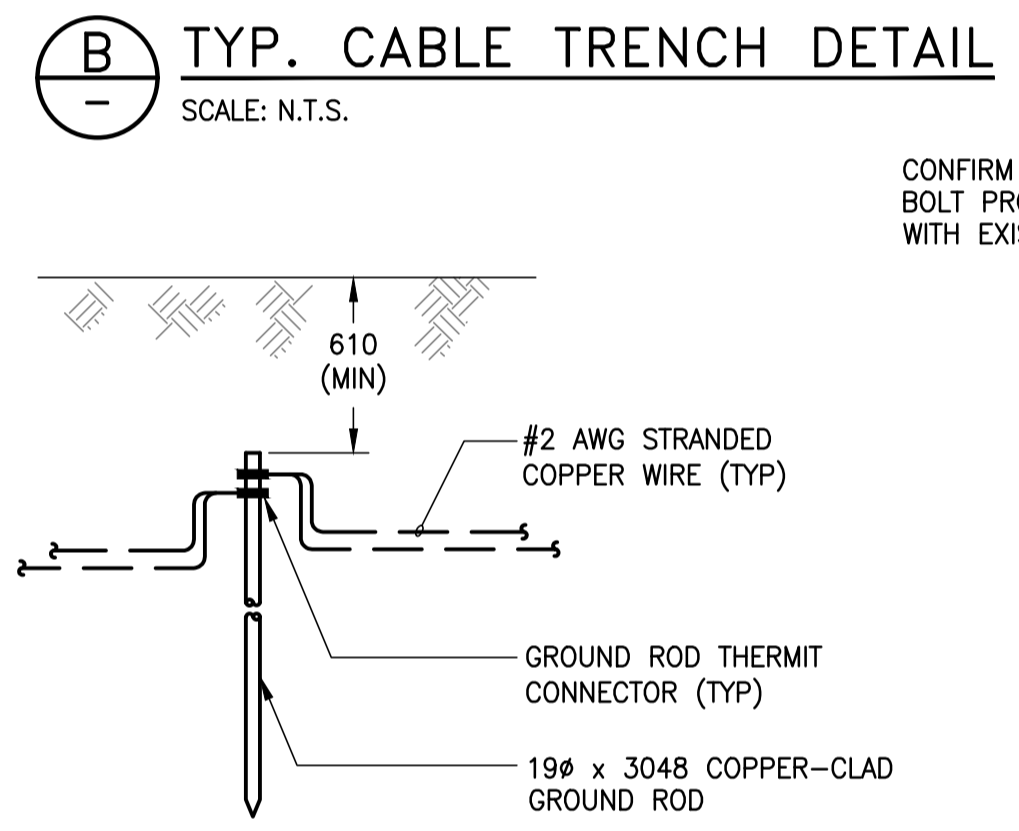
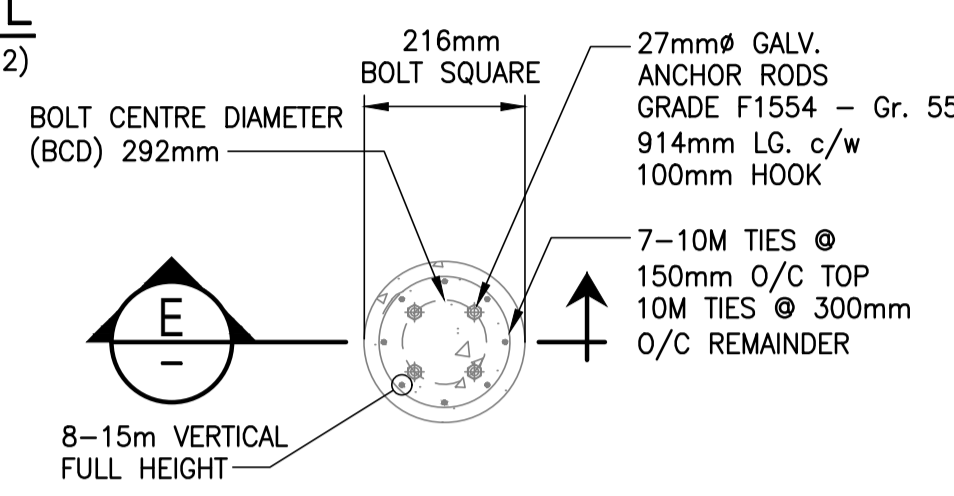
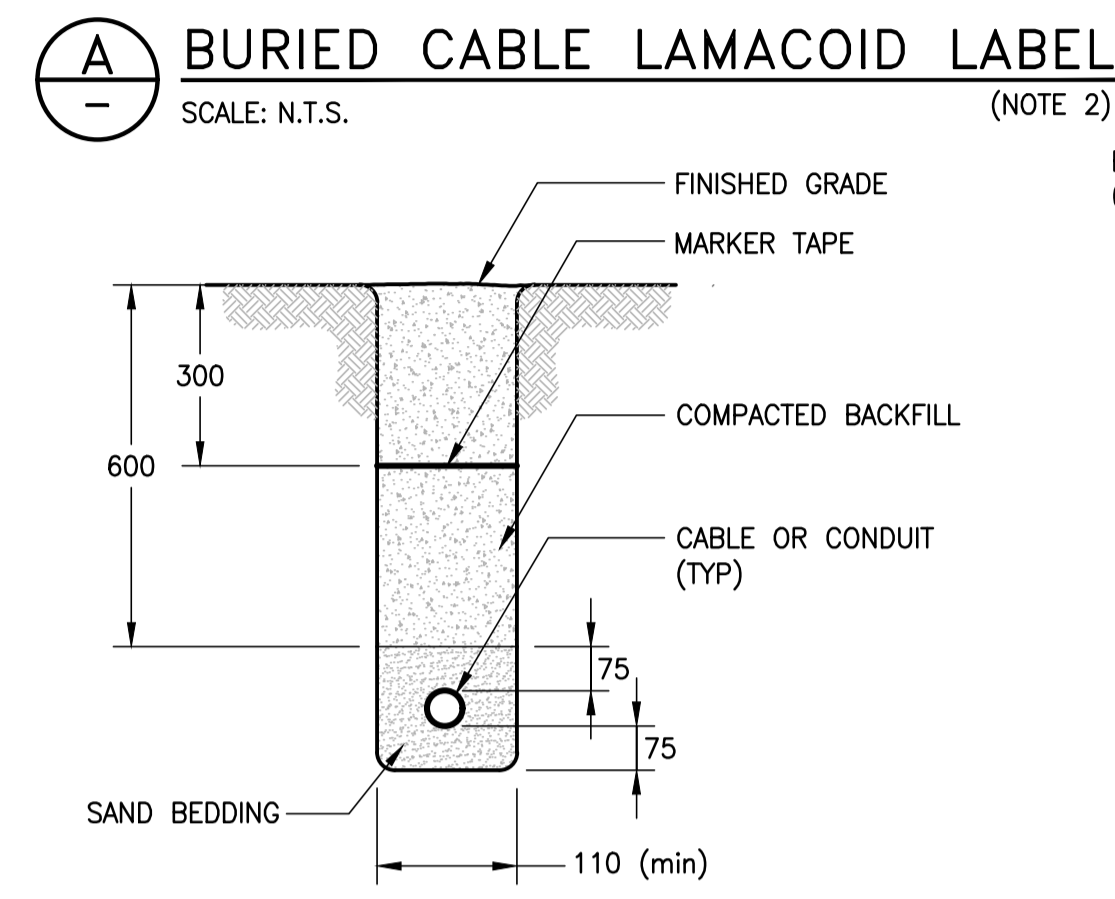
File Name: \\k-file-4-p-data-projects\2018\18-0107-005\Dwg\Elec\18-0107-005_E05.dwg - Tab: E05 Plotted By: jdeleon 09/12/2018 [Wed 11:27am]



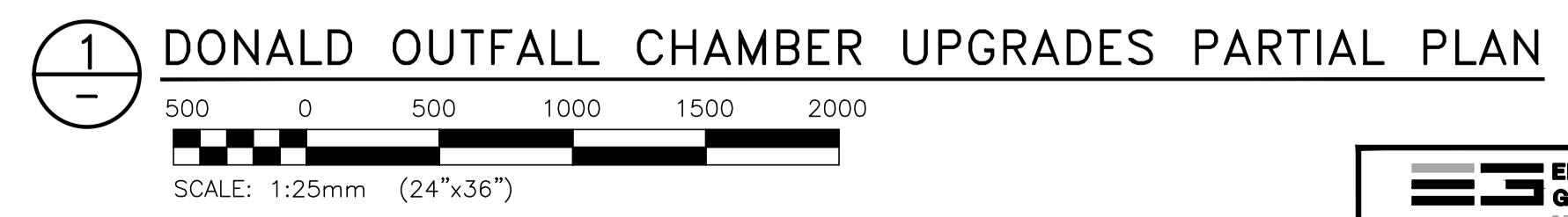
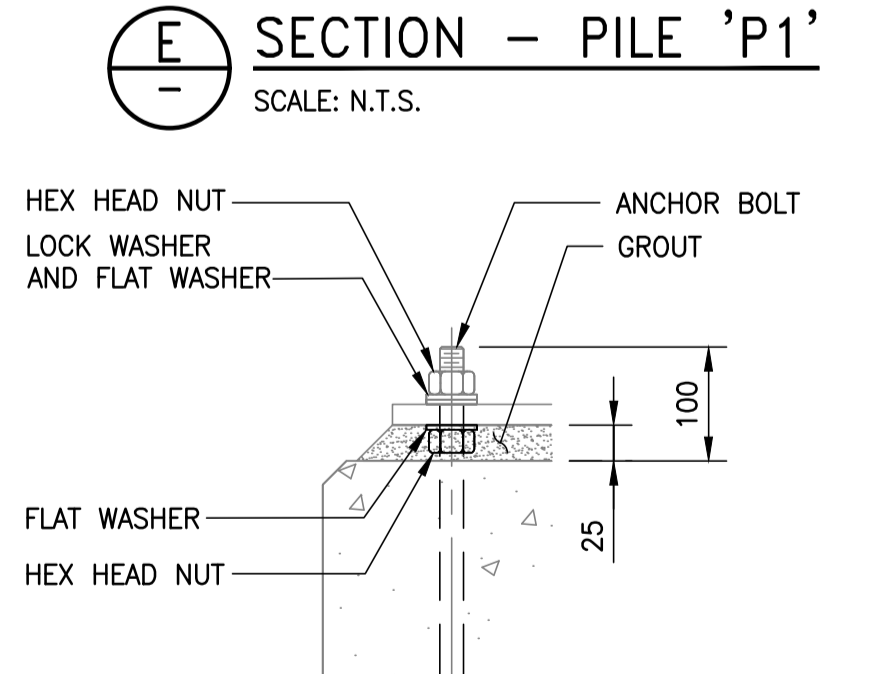
UNDERGROUND CONDUCTORS	
CIRCUIT I.D.	-
YEAR INSTALLED	-
DIAGRAM	-
DETAIL	-
TABLE	-
SIZE/TYPE OF CONDUCTOR	-
AMPACITY	-
MAX. OVERCURRENT	-

PILE SCHEDULE			
MARK	DIAMETER	PILE LENGTH BELOW GRADE	REMARKS
P1	216mm	6000mm	REFER TO DETAILS D & E

- NOTES:**
- GREY ITEMS DENOTES FUTURE PROVISIONS AND ARE NOT PART OF PROJECT SCOPE.
 - ALL UNDERGROUND CONDUCTOR INSTALLATIONS SHALL BE IDENTIFIED WITH A LABEL INDICATING THE CODE YEAR TO WHICH THE INSTALLATION WAS DESIGNED, INCLUDING THE U/G DETAIL AND TABLE UTILIZED TO ACHIEVE THE RATED AMPACITY OF THE IEEE CALCULATION. MARKING OF EQUIPMENT SERVICED BY UNDERGROUND INSTALLATION OF #1/0 AWG AND LARGER SHALL BE IDENTIFIED WITH A PERMANENTLY SECURED LAMACOID LABEL (MINIMUM SIZE 80x130mm) POSTED ON OR NEAR EACH SERVICE OR OVERCURRENT SUPPLYING EQUIPMENT INDICATING THE ITEMS SHOWN ON LABEL.
 - ALL GROUND CONDUCTORS SHALL BE #2 AWG BARE STRANDED COPPER.
 - CONTRACTOR SHALL COORDINATE NEW ELECTRICAL SERVICE AND METER SOCKET WITH MANITOBA HYDRO.
 - CONTRACTOR SHALL OFFSET NEW PADMOUNT ENCLOSURE 3.0m EAST OF CHAMBER.
 - RELOCATE EXISTING LIGHT STANDARD AS SHOWN ON CIVIL DRAWING C01.



- LEGEND:**
- EQUIPMENT
 - GROUND ROD
 - BURIED OR CONCEALED GROUND CONDUCTOR (NOTE 3)
 - CONDUIT SLEEVE
 - THREE PHASE MOTOR



ENGINEERS GEOSCIENTISTS MANITOBA
 Certificate of Authorization
 KGS Group
 No. 245

FIELD BOOK #:		DESIGNED BY		CHECKED BY	
POSTED TO LBIS		LU		JAB	
		DRAWN BY		APPROVED BY	
		JPL		JAB	
		HOR. SCALE		RELEASED FOR CONSTRUCTION	
		AS NOTED		K. ZUREK	
		VERTICAL		DATE	
		AS NOTED		2018 MM DD	
0 ISSUED FOR CONSTRUCTION		18/09/11		DATE	
DATE		BY		DATE	
ND. REVISIONS				2018 09 11	

ENGINEER'S SEAL

E05

THE CITY OF WINNIPEG
 WATER AND WASTE DEPARTMENT

DONALD OUTFALL CHAMBER UPGRADES
 SHEET 14 OF 24
 CITY DRAWING NUMBER
 LD-8646

ELECTRICAL
 PARTIAL SITE PLAN
 AND DETAILS

METRIC
 WHOLE NUMBERS INDICATE MILLIMETRES
 DECIMALIZED NUMBERS INDICATE METRES