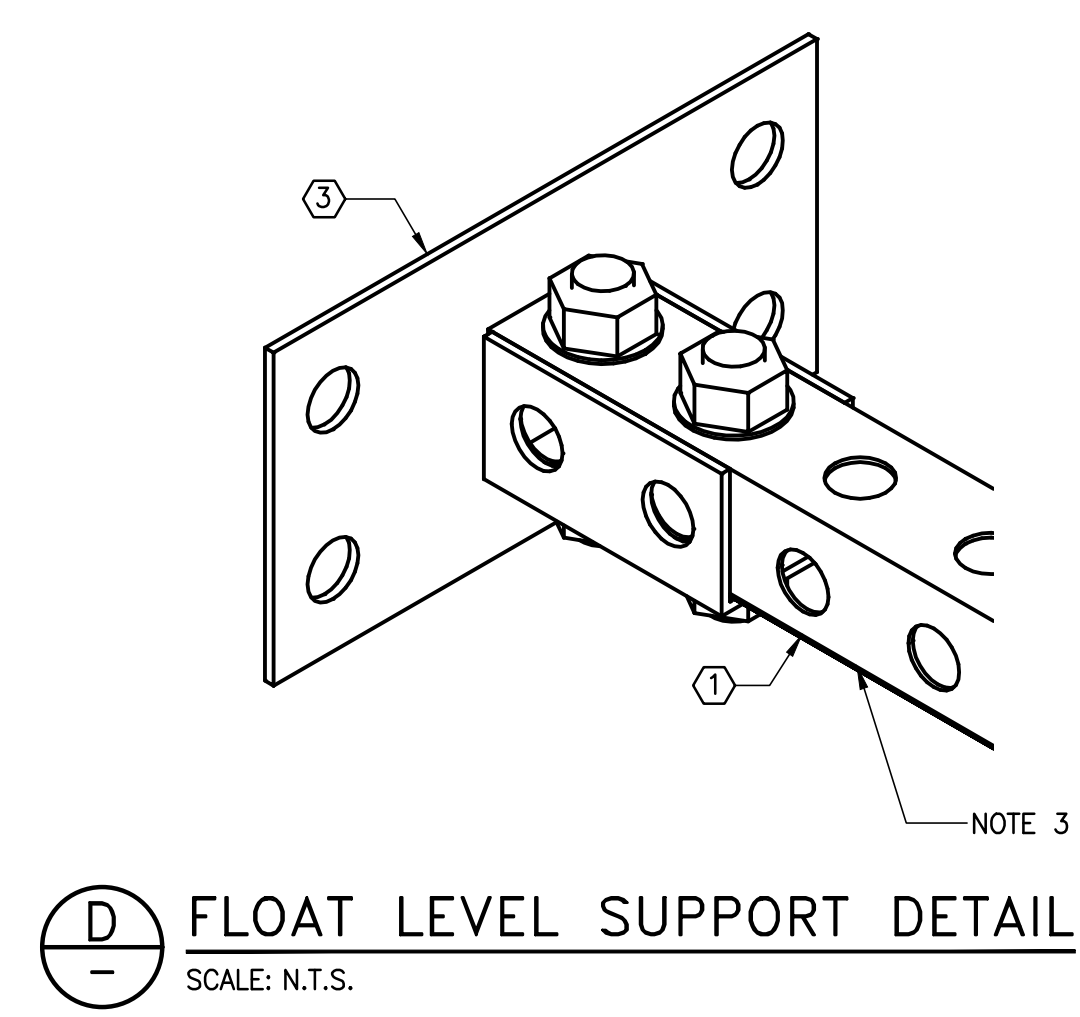
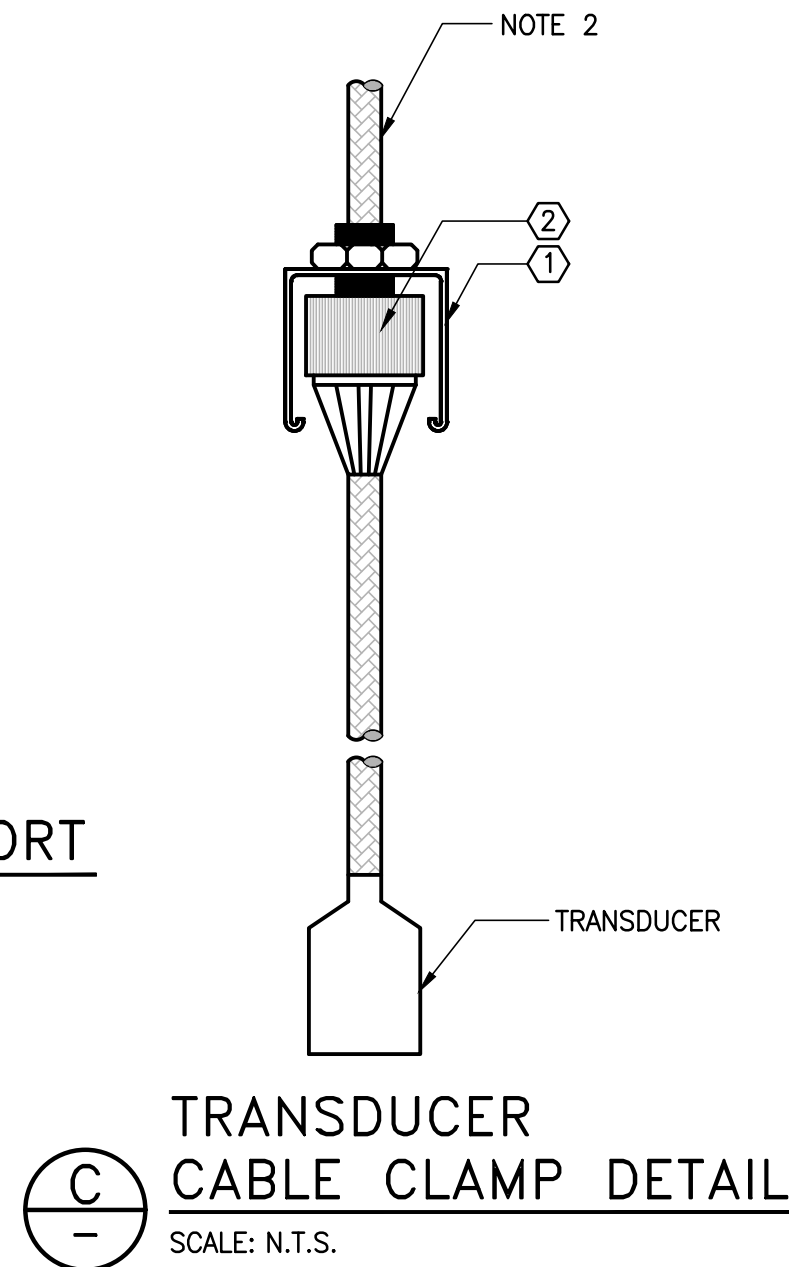
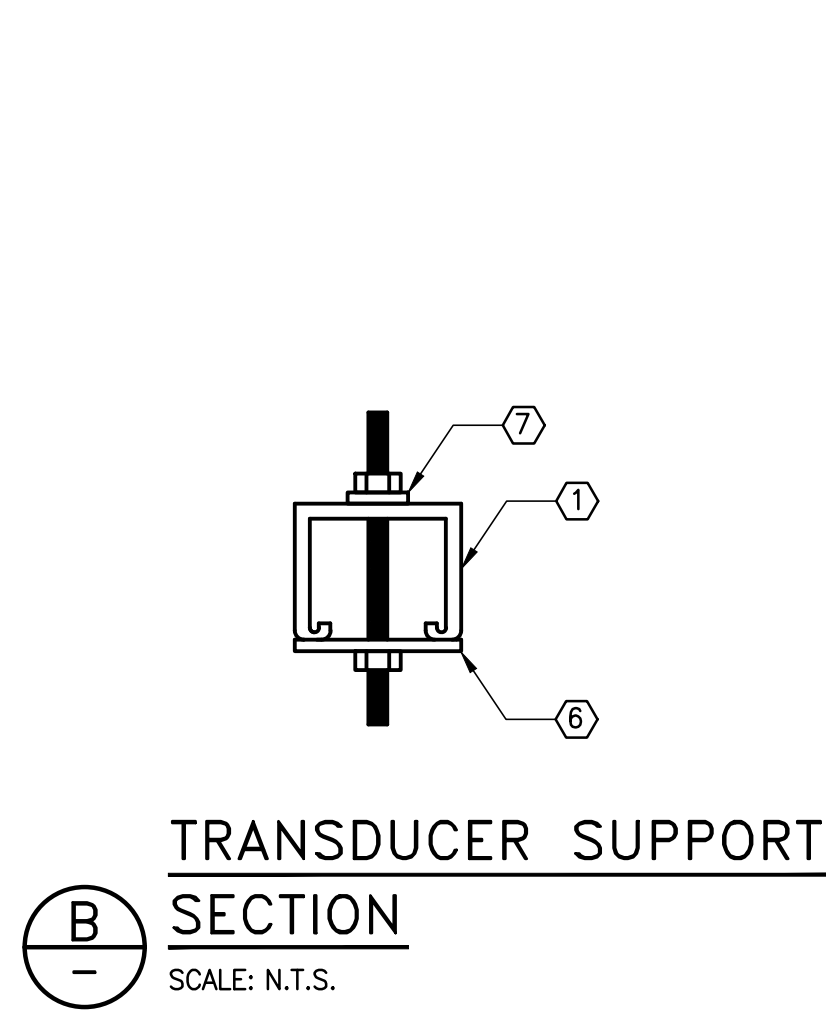
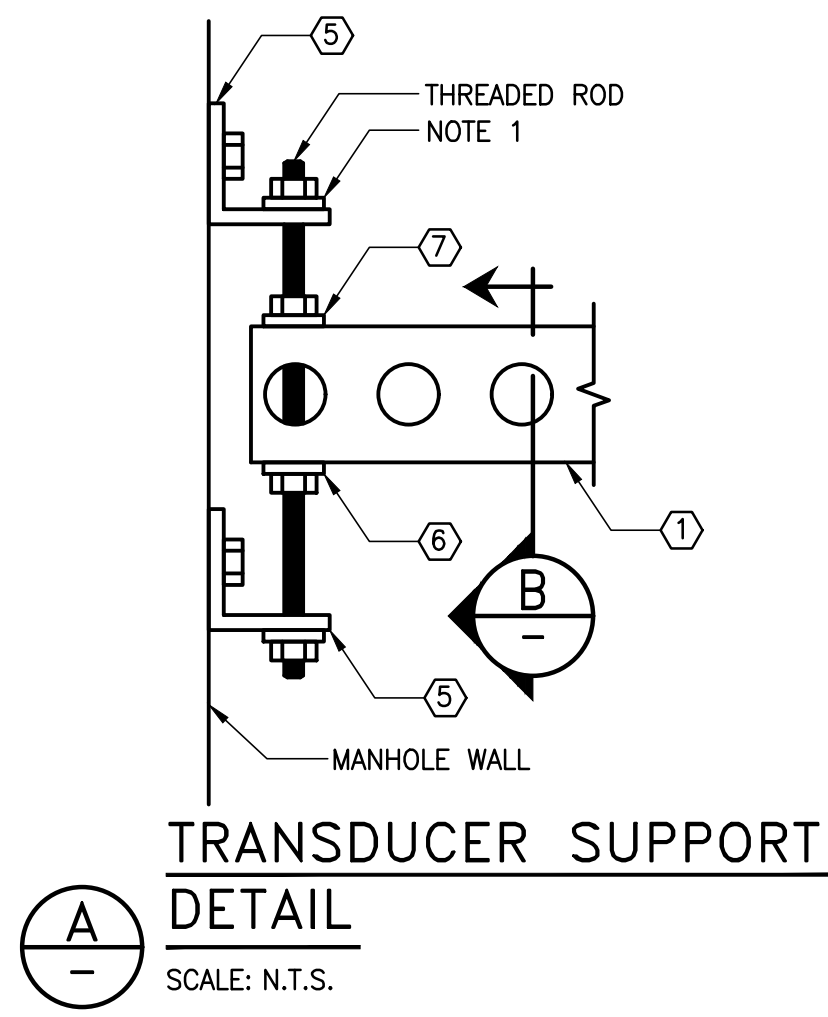
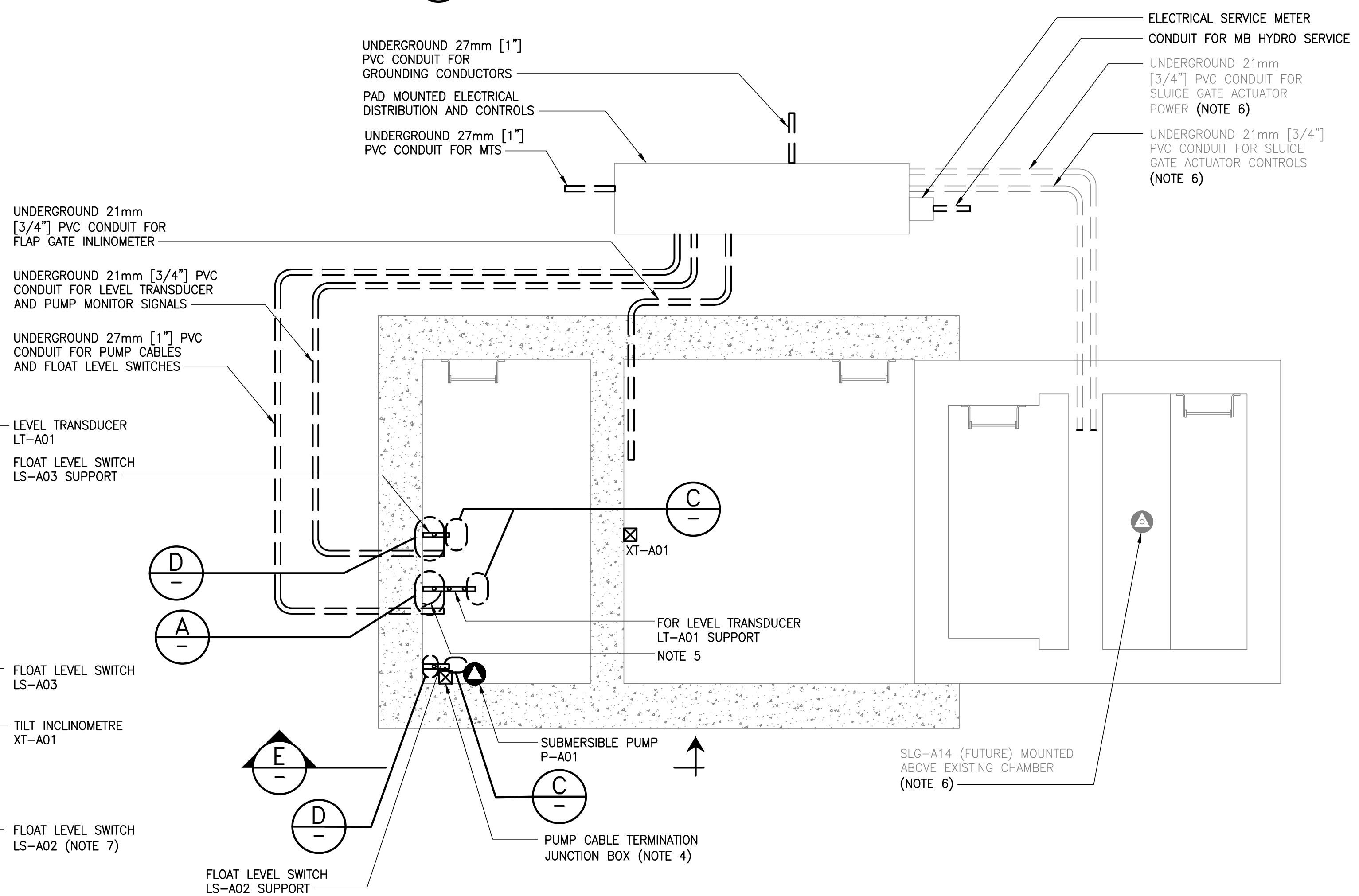
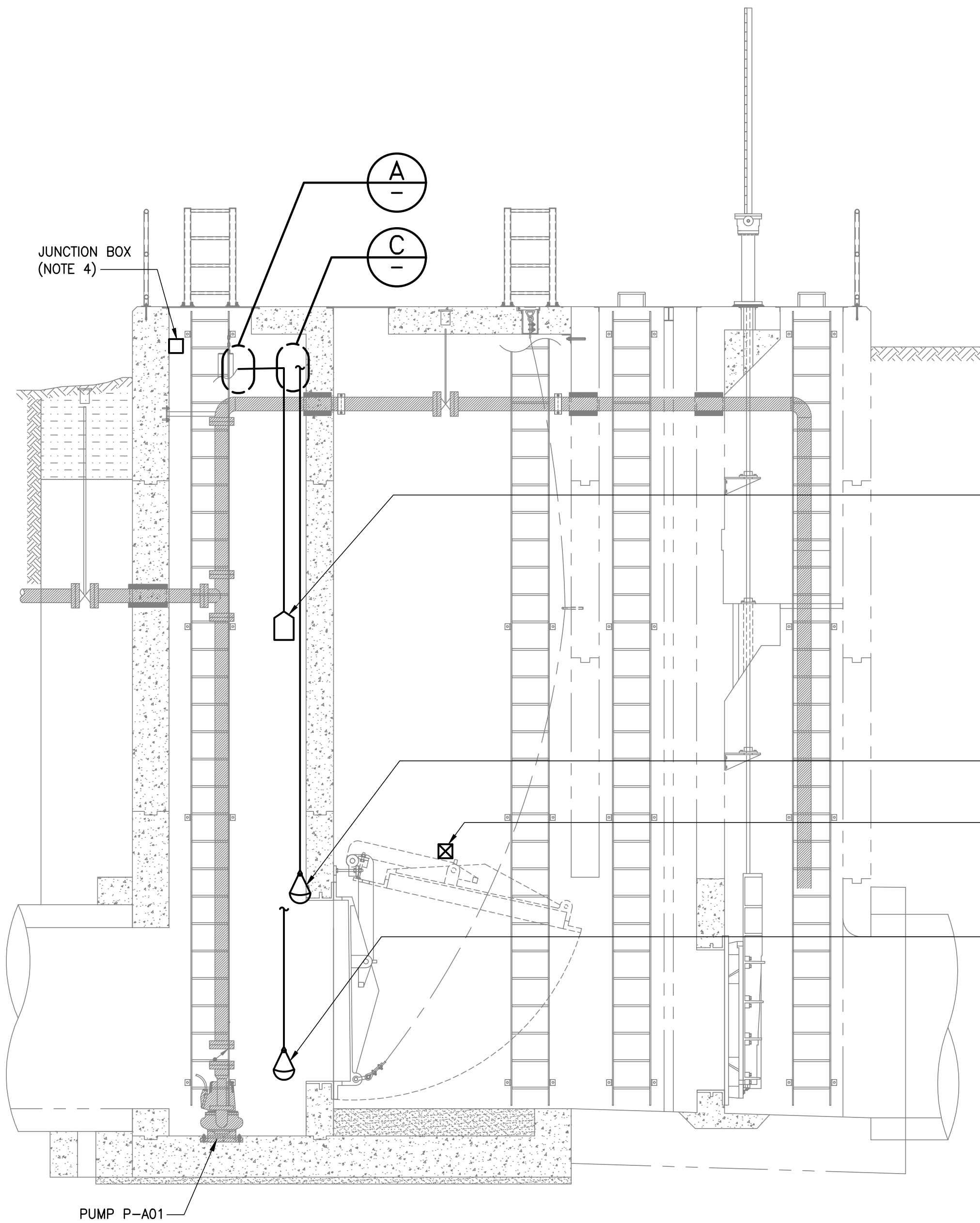


File Name: \\k-file-4-p-data\Projects\2018\18-0107-005\Dwg\Elec\18-0107-005\_E06.dwg - Tab: E06 Plotted By: jdeleon 09/12/2018 [Wed 11:25am] CW-9-M564-1

SCHEDULE			
TYPE	DESCRIPTION	MANUFACTURER	CATALOGUE NUMBER
①	TH TYPE CHANNEL	B-LINE	B22TH
②	NONMETALLIC LIQUIDTIGHT STRAIN RELIEF FITTING	B-LINE	2672
③	POST BASE	B-LINE	B280SQ
④	SINGLE CHANNEL ADJUSTABLE BRACE	B-LINE	B634
⑤	TWO HOLE ADJUSTABLE CORNER ANGLE	B-LINE	B372
⑥	SQUARE WASHER	B-LINE	B202
⑦	FLAT WASHER	B-LINE	FW



- NOTES:**
1. THREADED ROD CONNECTIONS AT CORNER ANGLE FITTINGS SHALL ALLOW CHANNEL SUPPORTING THE TRANSUDER TO PIVOT.
  2. PROVIDE SUFFICIENT CABLE LENGTH TO REMOVE TRANSUDER AND CHANNEL SUPPORT FROM MANHOLE WITHOUT DISCONNECTING TRANSUDER TO ALLOW SPACE FOR PUMP REMOVAL.
  3. CHANNEL SHALL REST IN POST BASE.
  4. PROVIDE NON-METALLIC NEMA 4 RATED JUNCTION BOX FOR TERMINATION OF MANUFACTURER SUPPLIED PUMP CABLE. INSTALL IN AN EASILY ACCESSIBLE LOCATION NEAR CONDUIT ENTRY POINT AND HATCH OF CHAMBER.
  5. PROVIDE CHAIN ANCHORED TO WALL TO PREVENT ACCIDENTAL SUBMERSION OF TRANSUDER.
  6. EQUIPMENT SHOWN IN GREY NOT IN SCOPE OF WORK. ALLOWANCE SHALL BE MADE FOR FUTURE EXPANSION.
  7. FLOAT LEVEL SWITCH SHALL OPEN AT ELEV. 222.360m TO PROTECT PUMP.



**ENGINEERS GEOSCIENTISTS MANITOBA**  
Certificate of Authorization  
KGS Group  
No. 245

FIELD BOOK #		DESIGNED BY LU		CHECKED BY JAB	
POSTED TO LBIS		DRAWN BY JPL		APPROVED BY JAB	
0 ISSUED FOR CONSTRUCTION		HDR. SCALE AS NOTED		RELEASED FOR CONSTRUCTION K. ZUREK	
ND. REVISIONS		VERTICAL. AS NOTED		DATE 2018 MM DD	
18/09/11	JAB	2018	MM	DD	DATE 2018 09 11

ENGINEER'S SEAL  
  
**E06**

**Winnipeg THE CITY OF WINNIPEG WATER AND WASTE DEPARTMENT**

DONALD OUTFALL CHAMBER UPGRADES

**ELECTRICAL DETAILS**

SHEET 15 OF 24  
CITY DRAWING NUMBER LD-8647