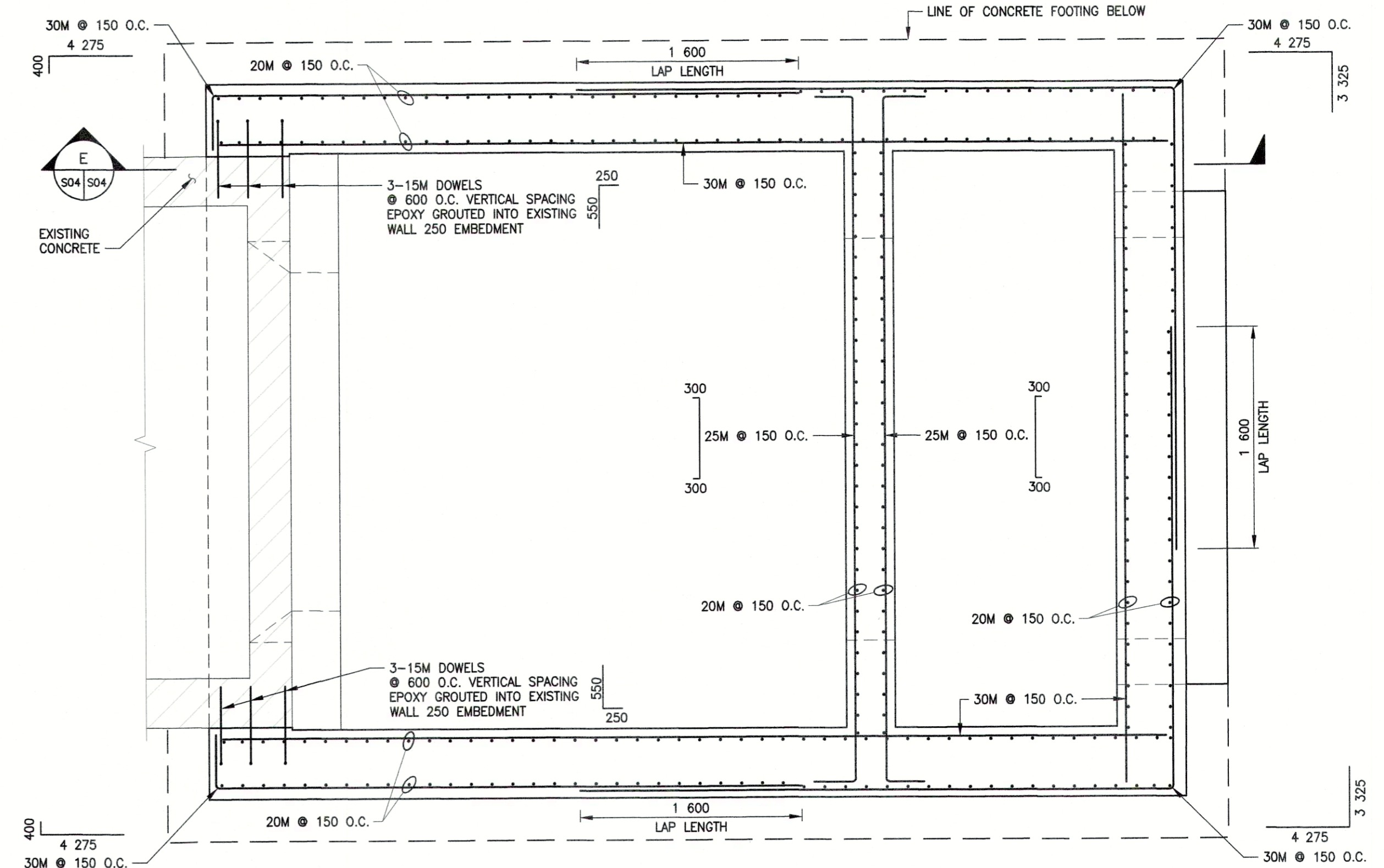
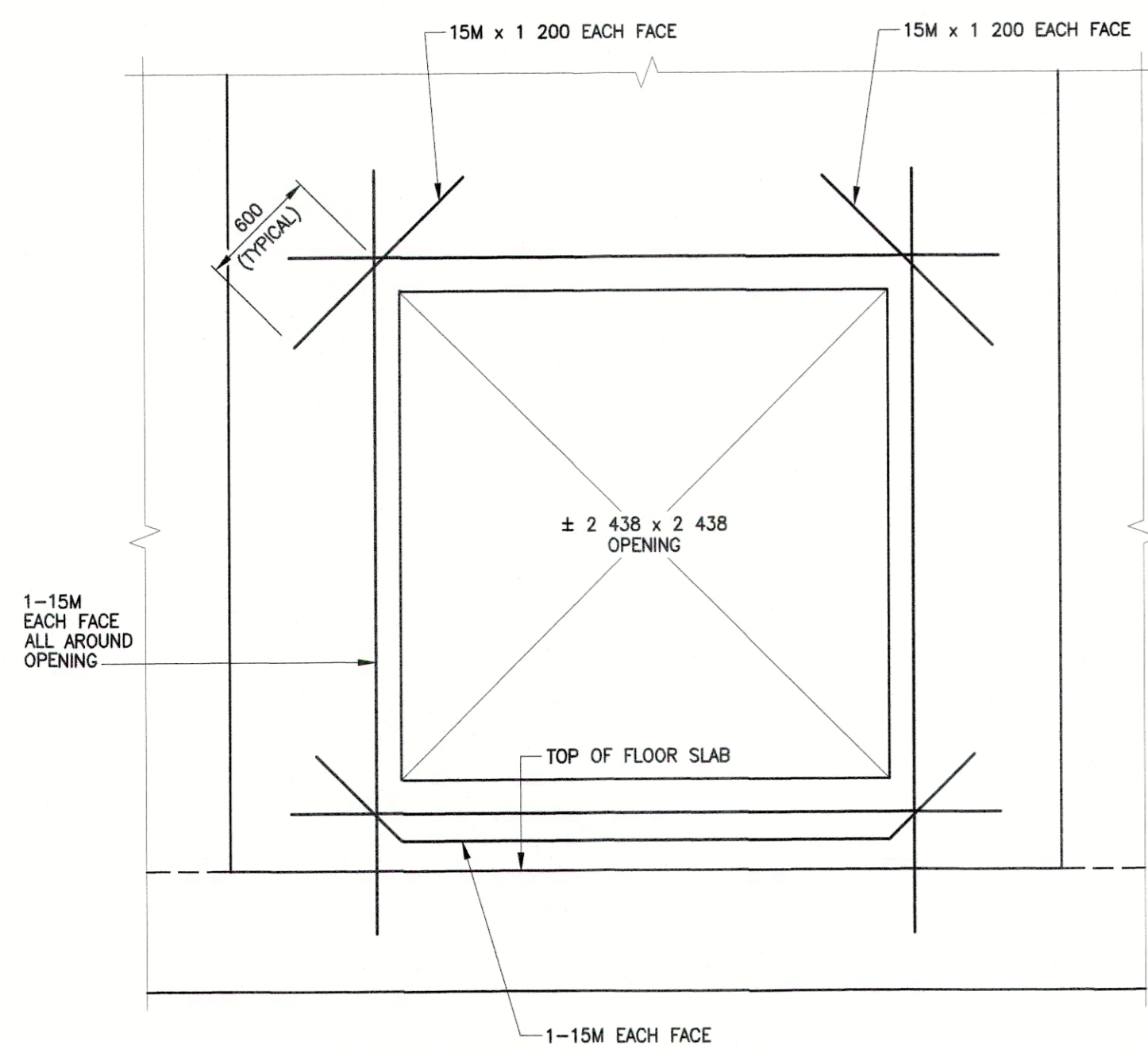


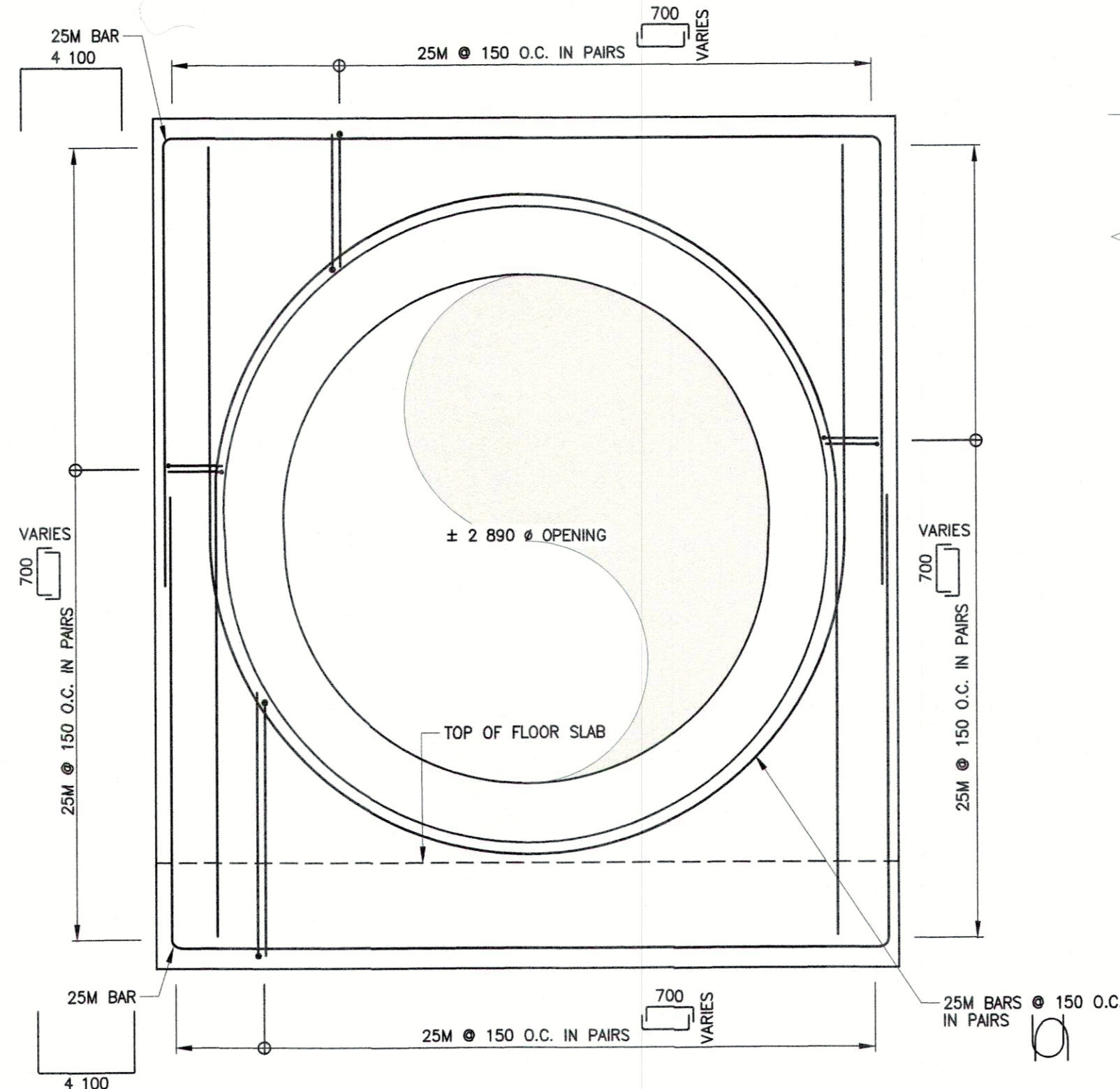
DETAIL 1  
1:30



DETAIL 2  
1:30

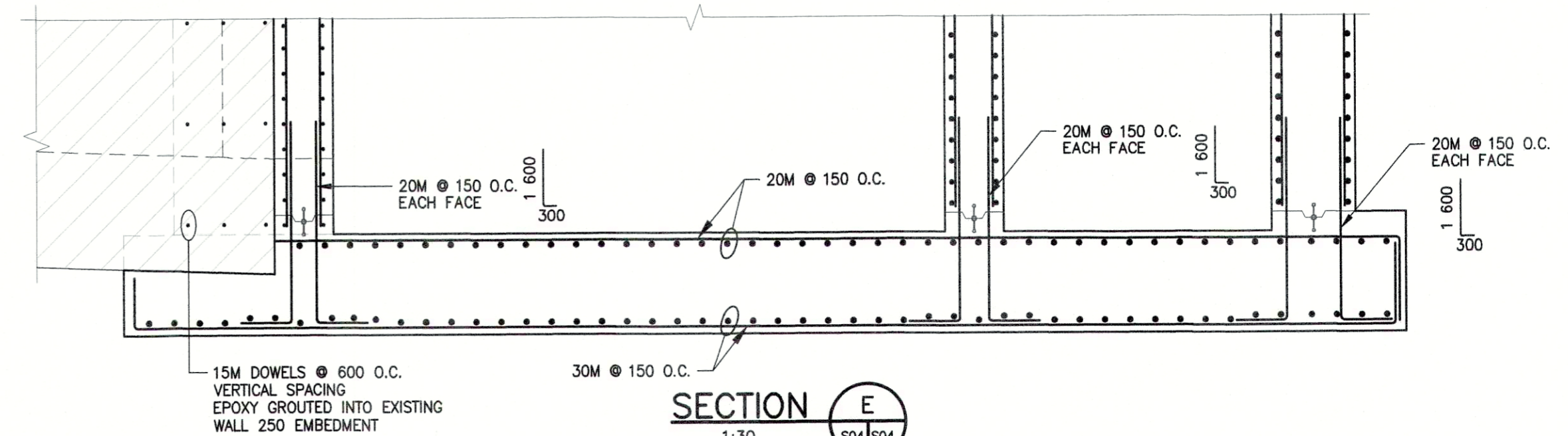


REINFORCING @ OPENING (TYPICAL) C  
1:30



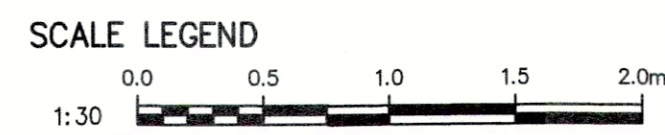
COLLAR REINFORCING D  
1:30

NOTE:  
FOR REINFORCING DETAILS C, D, WALL & SLAB REINFORCING NOT SHOWN FOR CLARITY



SECTION E  
1:30

NOTE: These design documents are prepared solely for the use by the party with whom the design professional has entered into a contract and there are no representations of any kind made by the design professional to any party with whom the design professional has not entered into a contract.



**METRIC**  
WHOLE NUMBERS INDICATE MILLIMETRES  
DECIMALIZED NUMBERS INDICATE METRES

**ENGINEERS  
GEOLOGISTS  
MANITOBA**  
Certificate of Authorization  
**WSP Canada Group Limited**  
No. 6657

DESIGNED BY BBMRI	CHECKED BY AG
DRAWN BY KD	APPROVED BY JPL
HOR. SCALE AS NOTED	RELEASED FOR CONSTRUCTION Signed by KZ September 14, 2018
VERTICAL SCALE AS NOTED	
1 ISSUED FOR TENDER NO. REVISIONS	DATE BY DATE 13/09/2018 BB DATE 13/09/2018

**WSP Canada Group Limited**  
93 Lombard Avenue, Suite 111  
Winnipeg MB R3B 3B1  
T+ 1 204-943-3178  
F+ 1 204-943-4948  
www.wsp.com

**THE CITY OF WINNIPEG**  
WATER AND WASTE DEPARTMENT

OUTFALL GATE CHAMBER UPGRADES  
AUBREY STREET  
SRS OUTFALL GATE CHAMBER

CONSULTANT DRAWING NUMBER  
5516047 - S04

SHEET OF  
06 OF 33

CITY DRAWING NUMBER  
LD-8018

REINFORCING DETAILS (SHEET 2 OF 2)