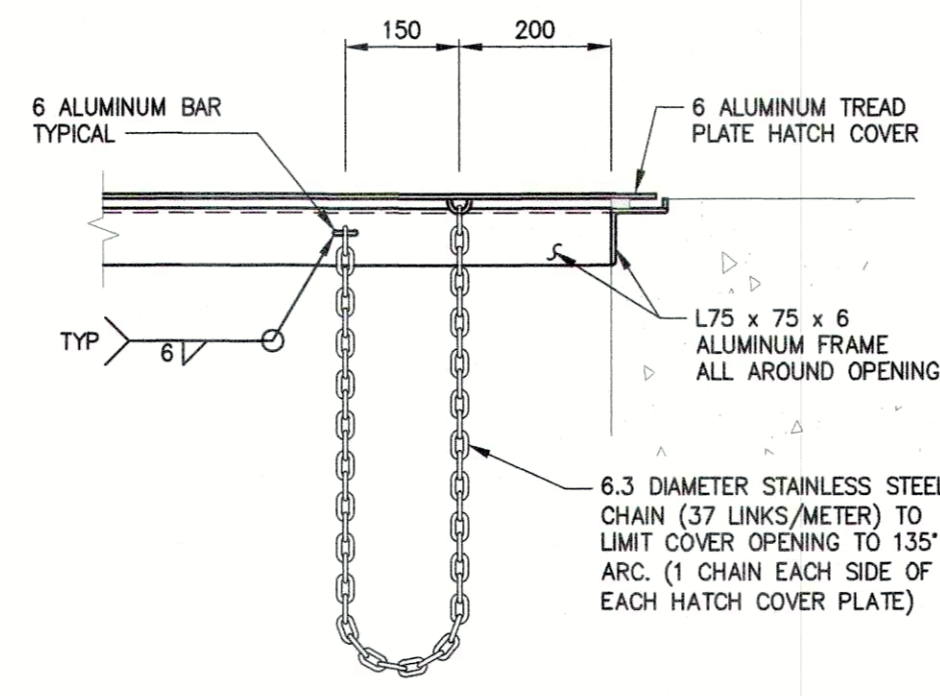
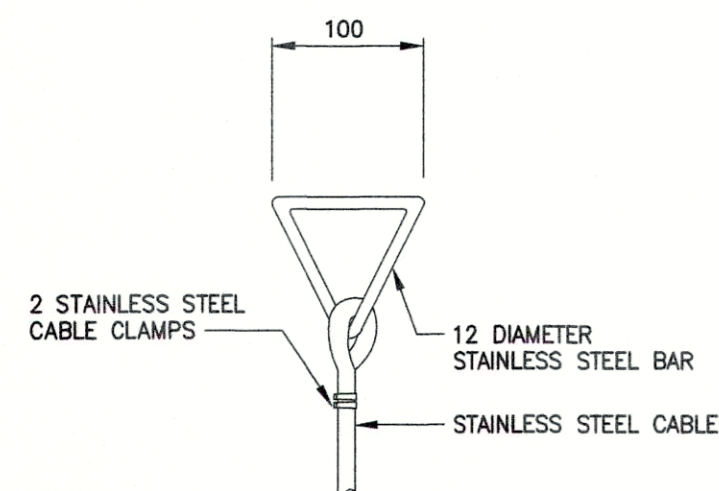


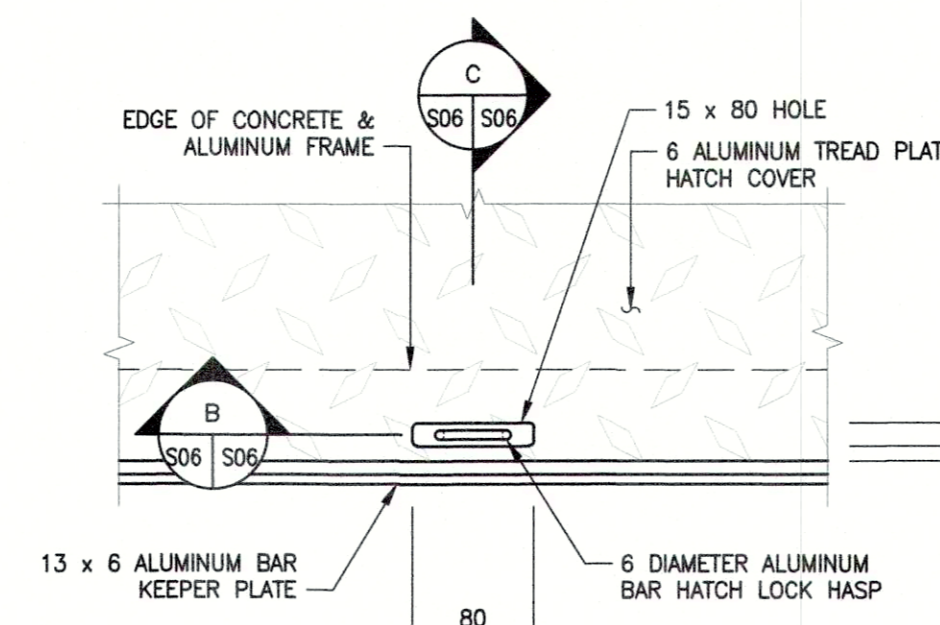
VALVE BOX DETAIL 1
1:10



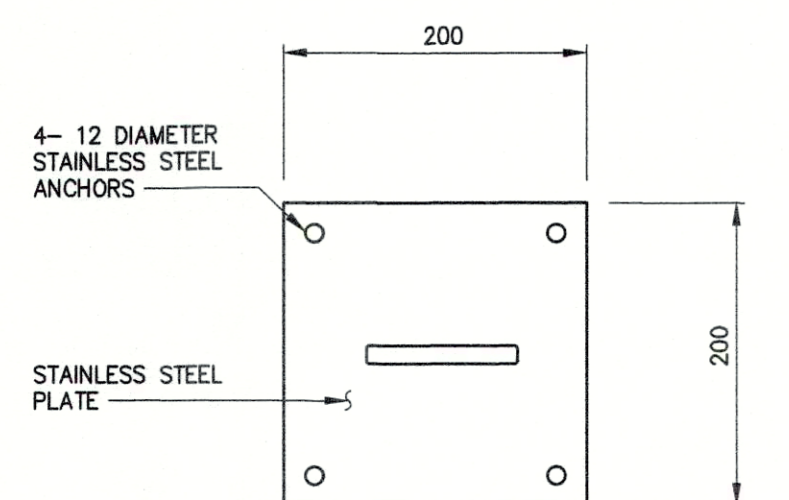
HATCH COVER CHAIN SECTION A
1:10



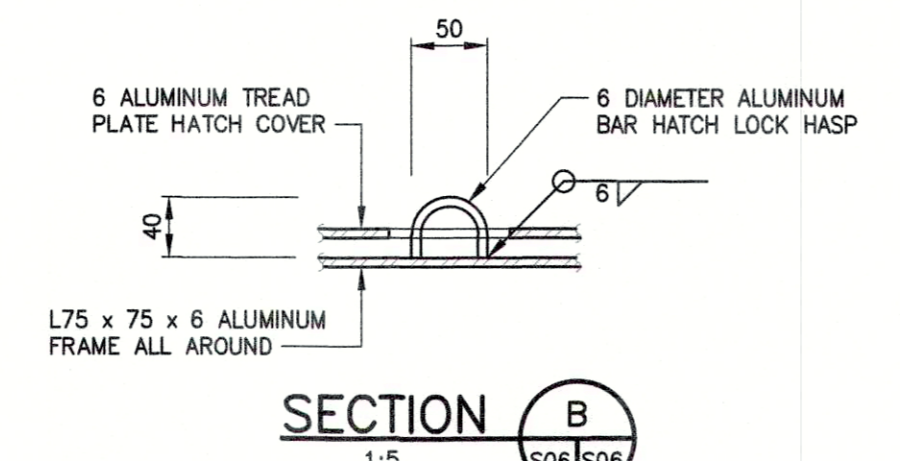
LIFTING RING DETAIL 2
1:5



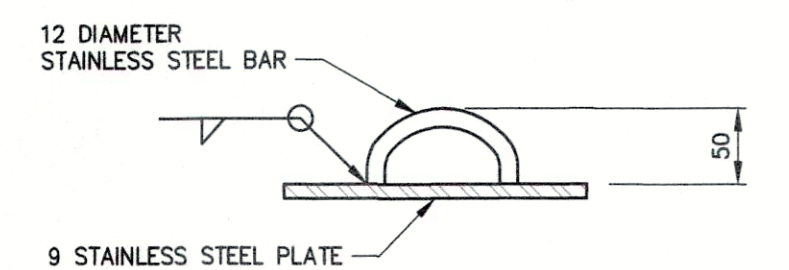
HATCH LOCK HASP DETAIL 4
1:5



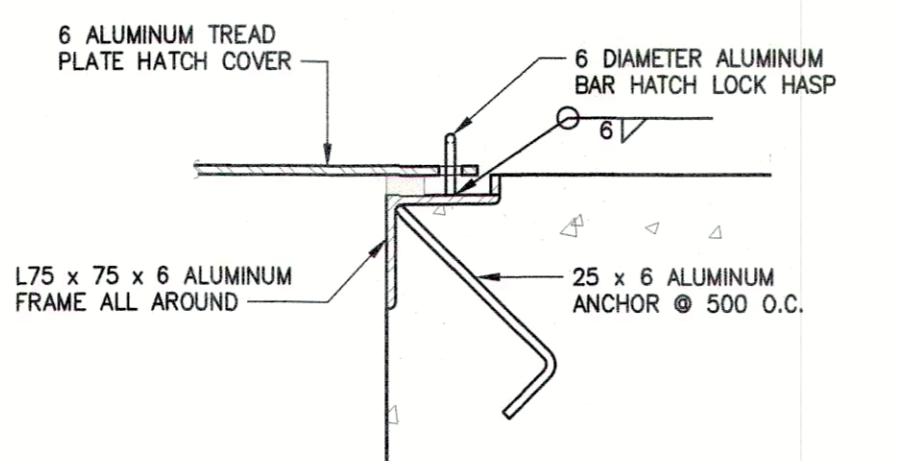
PLAN



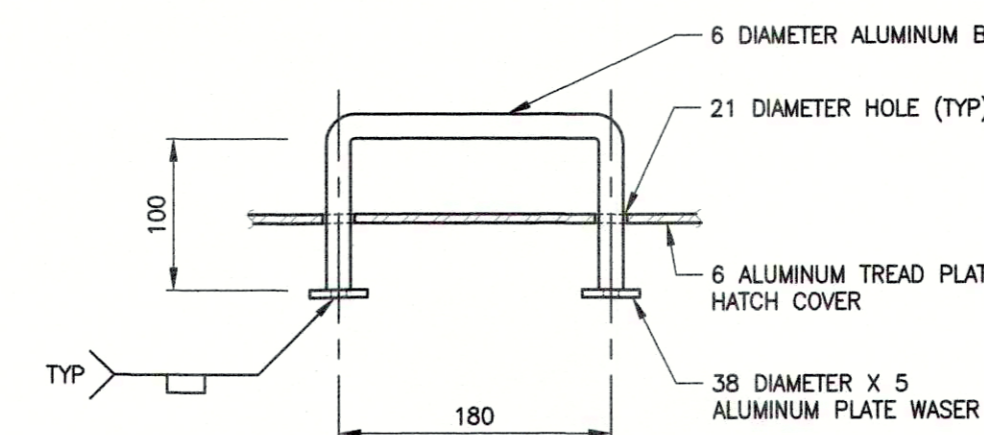
SECTION B
1:5



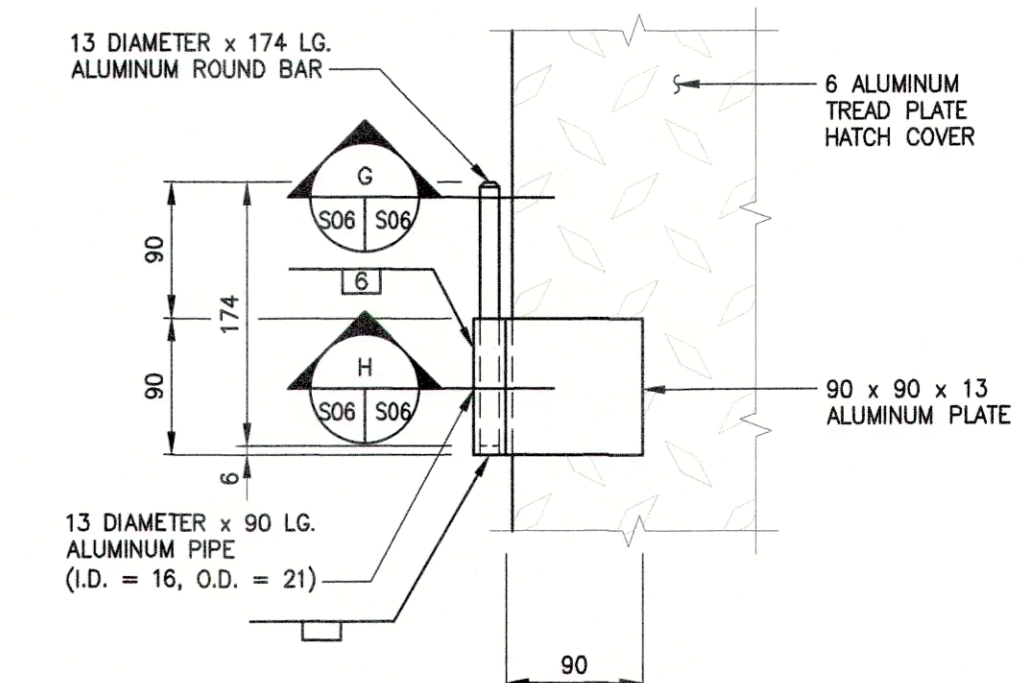
LIFTING CABLE GUIDE 3
1:5



SECTION C
1:5

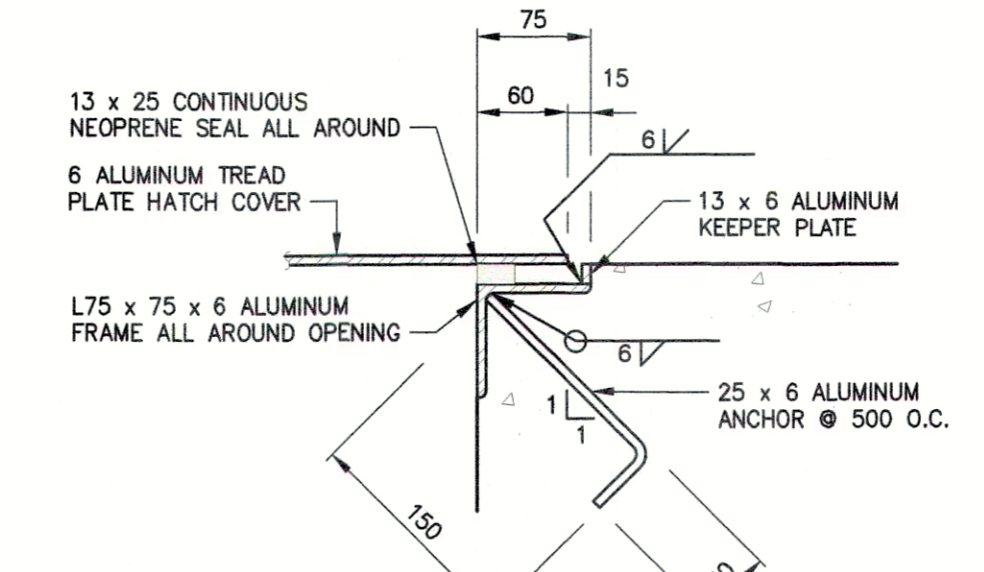


SECTION D
1:5

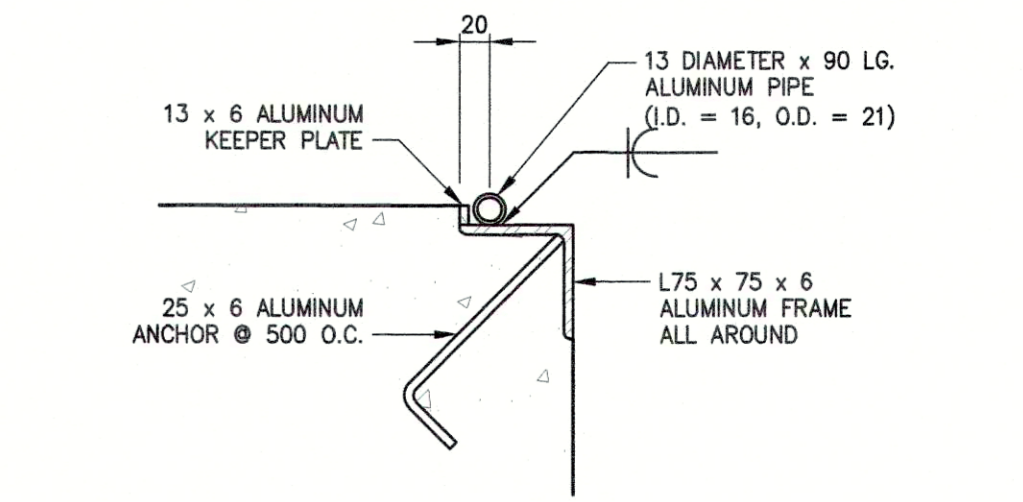


NOTE: HINGE VIEW FROM BELOW

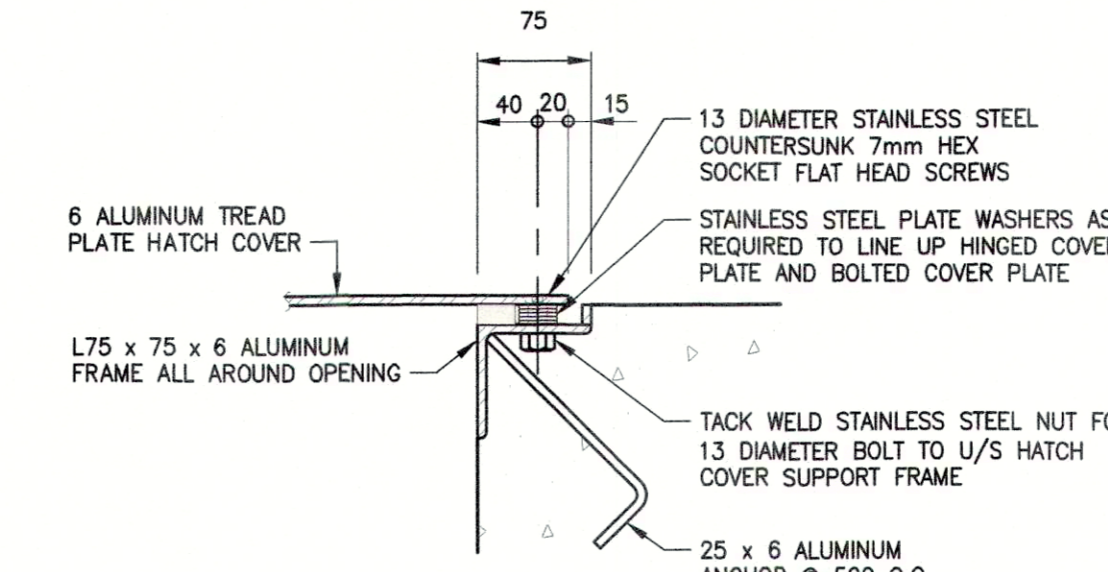
HINGE DETAIL 5
1:5



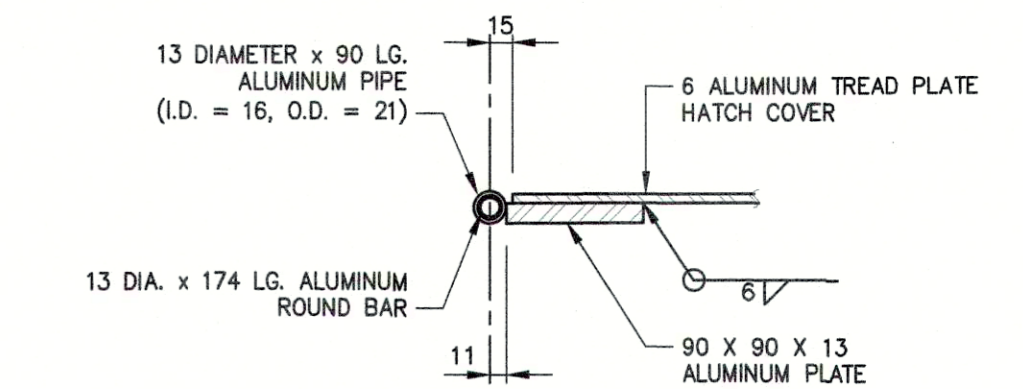
HATCH COVER SUPPORT SECTION E
1:5



SECTION G
1:5



HATCH COVER BOLT-DOWN SECTION F
1:5



SECTION H
1:5

METRIC

WHOLE NUMBERS INDICATE MILLIMETRES
DECIMALIZED NUMBERS INDICATE METRES

**ENGINEERS
GEO-SCIENTISTS
MANITOBA**
Certificate of Authorization
WSP Canada Group Limited
No. 6657

G.E.M. ELEV.	DESIGNED BY: BB/MRI		CHECKED BY: EH	
	DRAWN BY: KD		APPROVED BY: JPL	
	HOR. SCALE: AS NOTED		RELEASED FOR CONSTRUCTION: September 14, 2018	
	VERTICAL SCALE: AS NOTED		DATE: 13/09/2018	
1 ISSUED FOR TENDER	13/09/2018	BB		
NO. REVISIONS	DATE	BY		

WSP Canada Group Limited
93 Lombard Avenue, Suite 111
Winnipeg MB R3B 3B1
T+ 1 204-943-3178
F+ 1 204-943-4948
www.wsp.com

PROVINCE OF MANITOBA
R.B. BOWLES
Member
34037
REGISTERED PROFESSIONAL ENGINEER

BID OPPORTUNITY: 865-2018
PLOT DATE: 13/09/2018

THE CITY OF WINNIPEG
WATER AND WASTE DEPARTMENT

OUTFALL GATE CHAMBER UPGRADES
AUBREY STREET
SRS OUTFALL GATE CHAMBER

ACCESS HATCH & MISCELLANEOUS METAL DETAILS
(SHEET 2 OF 2)

CONSULTANT DRAWING NUMBER: 5516047 - S06
SHEET OF: 08 OF 33
CITY DRAWING NUMBER: LD-8020

NOTE:
These design documents are prepared solely for the use by the party with whom the design professional has entered into a contract and there are no representations of any kind made by the design professional to any party with whom the design professional has not entered into a contract.