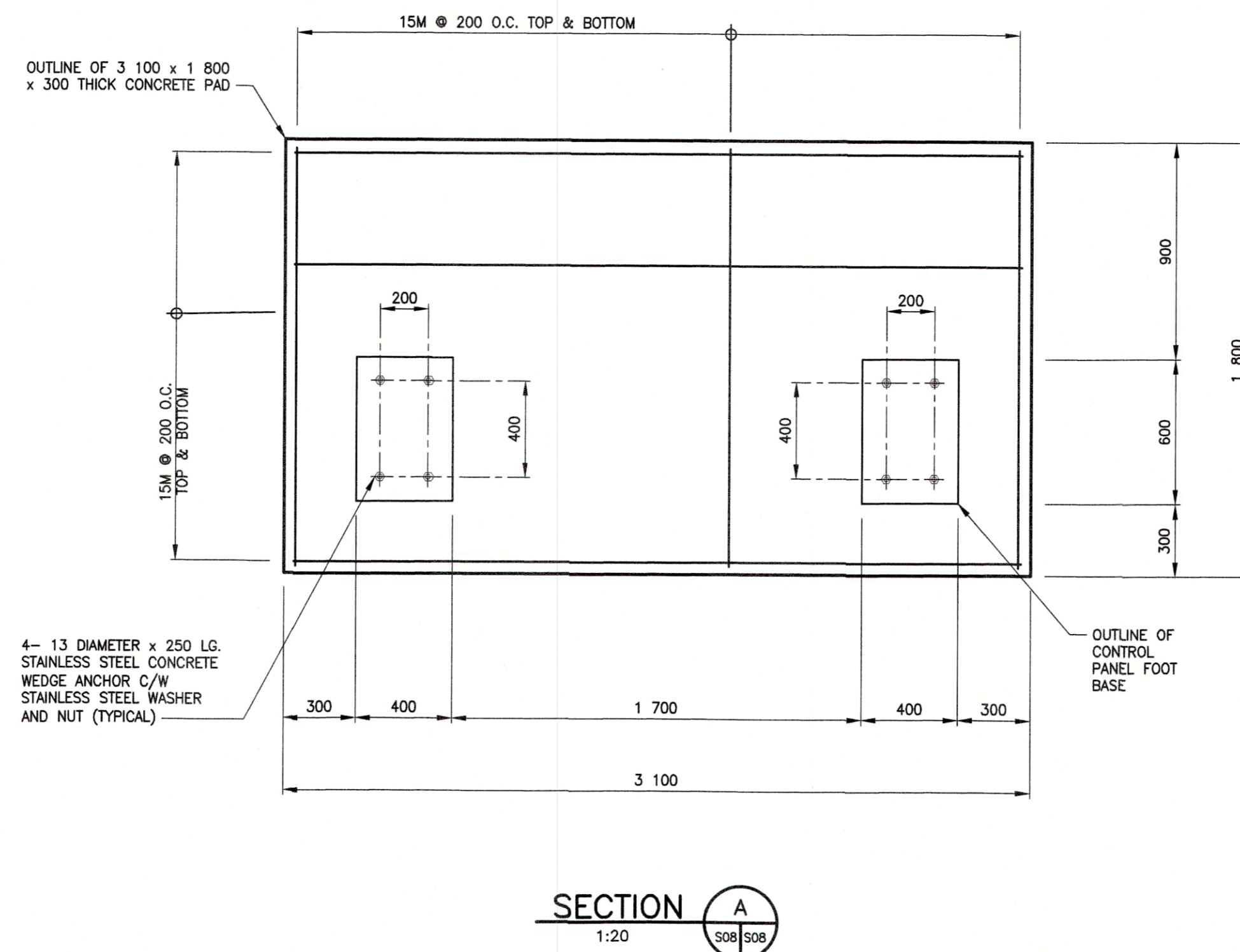
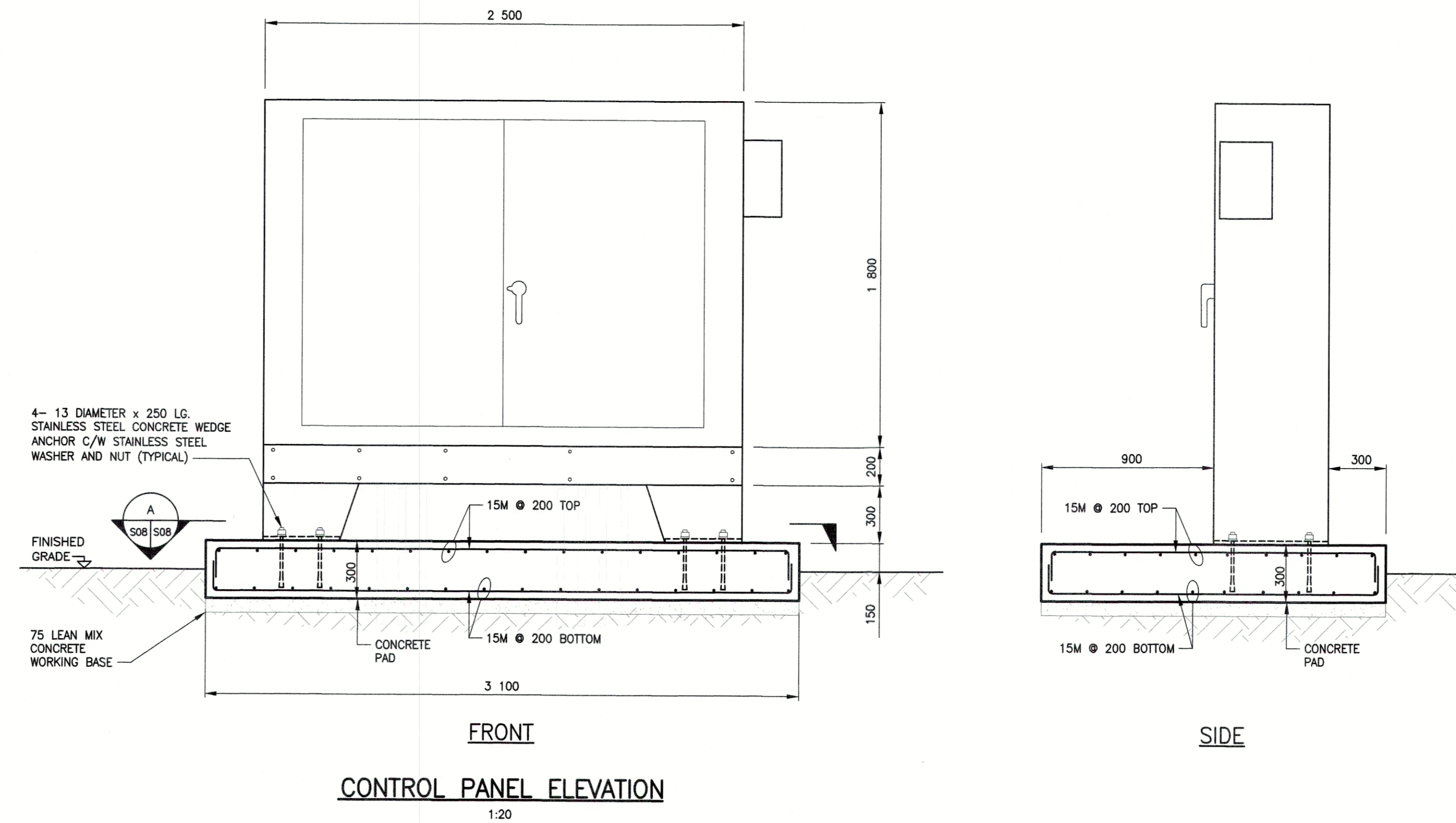
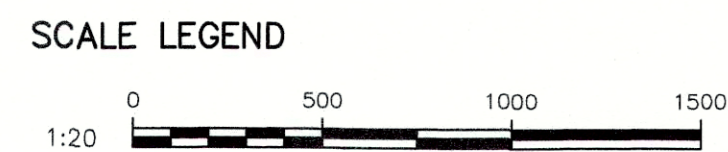


Sep 13, 2018 8:14am  
 P:\516047-516047-516047 - Ruby & Aubrey Chamber Upgrades\MM\Drawings\516047 DD Gate Chambers - Aubrey Chamber Upgrades\516047 DD Gate Chambers - Aubrey Chamber Upgrades\516047 DD Gate Chambers - Aubrey Chamber Upgrades - Job 508 - Control Panel Foundation Detail



**NOTES:**

- SEE DRAWING S02 (CITY DRAWING LD-8016, SHEET 04) DRAWING E01 (CITY DRAWING LD-8024, SHEET 12) AND DRAWING E02 (CITY DRAWING LD-8025, SHEET 13) FOR NOTES.
- SEE DRAWING E01 (CITY DWG. No. LD-8024, SHEET 12) FOR ADDITIONAL CONTROL PANEL DETAILS.



**METRIC**  
WHOLE NUMBERS INDICATE MILLIMETRES  
DECIMALIZED NUMBERS INDICATE METRES

NOTE:  
These design documents are prepared solely for the use by the party with whom the design professional has entered into a contract and there are no representations of any kind made by the design professional to any party with whom the design professional has not entered into a contract.

G.B.M. ELEV.		<b>WSP</b>		WSP Canada Group Limited 93 Lombard Avenue, Suite 111 Winnipeg MB R3B 5B1 T+ 1 204-943-3178 F+ 1 204-943-4948 www.wsp.com		ENGINEER'S SEAL 	
DESIGNED BY	BB/MRI	CHECKED BY	EH	APPROVED BY	JPL	Signed by KZ September 14, 2018	
DRAWN BY	KD	APPROVED BY	JPL	RELEASED FOR CONSTRUCTION	September 14, 2018	BID OPPORTUNITY: 865-2018 PLOT DATE: 13/09/2018	
NO.	REVISIONS	DATE	BY	DATE	13/09/2018		

**THE CITY OF WINNIPEG**  
 WATER AND WASTE DEPARTMENT

**OUTFALL GATE CHAMBER UPGRADES**  
**AUBREY STREET**  
**SRS OUTFALL GATE CHAMBER**

CONTROL PANEL FOUNDATION DETAIL

CONSULTANT DRAWING NUMBER	5516047 - S08
SHEET OF	10 33
CITY DRAWING NUMBER	LD-8022