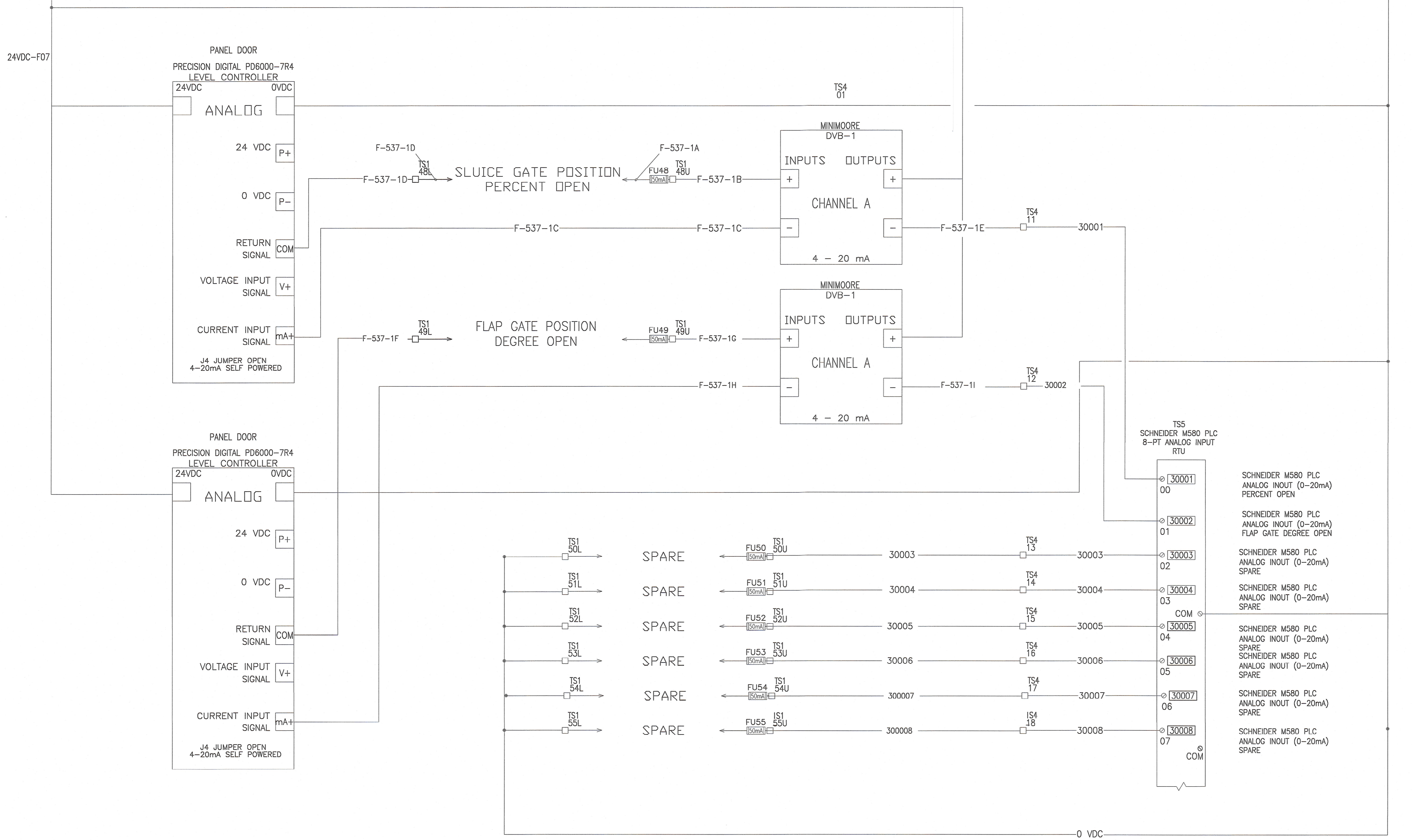


24VDC-F07
 TS2-F07, 24 VDC, 1.0A

24 VDC POWER FROM TS2-F07, 1.0 AMP QUICK BLOW FUSE DRAWING: 102

0 VDC
 0 VDC

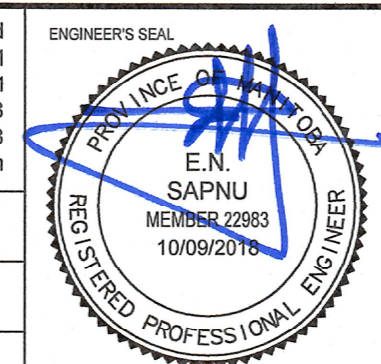


C:\p\2015 - 2016 - 2017-00 nby & cuby at aubrey st. outfall upgrades (r.m.)\03 - prep\02 working emp\08 Elec\AUBREY\sheet\13page 14.dwg - tab113

NOTE:
 These design documents are prepared solely for the use by the party with whom the design professional has entered into a contract and there are no representations of any kind made by the design professional to any party with whom the design professional has not entered into a contract.



G.E.M.		-	
ELEV.		-	
WSP Canada Group Limited 93 Lombard Avenue, Suite 111 Winnipeg MB R3B 3B1 T+1 204-943-3178 F+1 204-943-4848 www.wsp.com			
DESIGNED BY	AE	CHECKED BY	ES
DRAWN BY	AE	APPROVED BY	ES
3	ISSUED FOR TENDER	14/08/18	ES
2	ISSUED FOR REVIEW	18/08/18	ES
1	ISSUED FOR REVIEW	12/12/16	HP
NO.	REVISIONS	DATE	BY
		DATE	DATE
HOR. SCALE		AS NOTED	
VERTICAL		AS NOTED	
RELEASED FOR CONSTRUCTION		Signed by KZ September 14, 2018	
BO OPPORTUNITY:		865-2018	
PLOT DATE:		10/09/2018	



THE CITY OF WINNIPEG
 WATER AND WASTE DEPARTMENT

OUTFALL GATE CHAMBER UPGRADES
 AUBREY STREET
 SRS OUTFALL GATE CHAMBER
 SLUICE AND FLAP GATE POSITION

CONSULTANT DRAWING NUMBER
 5516047 - I13

SHEET OF
 28 33

CITY DRAWING NUMBER
 LD-8040