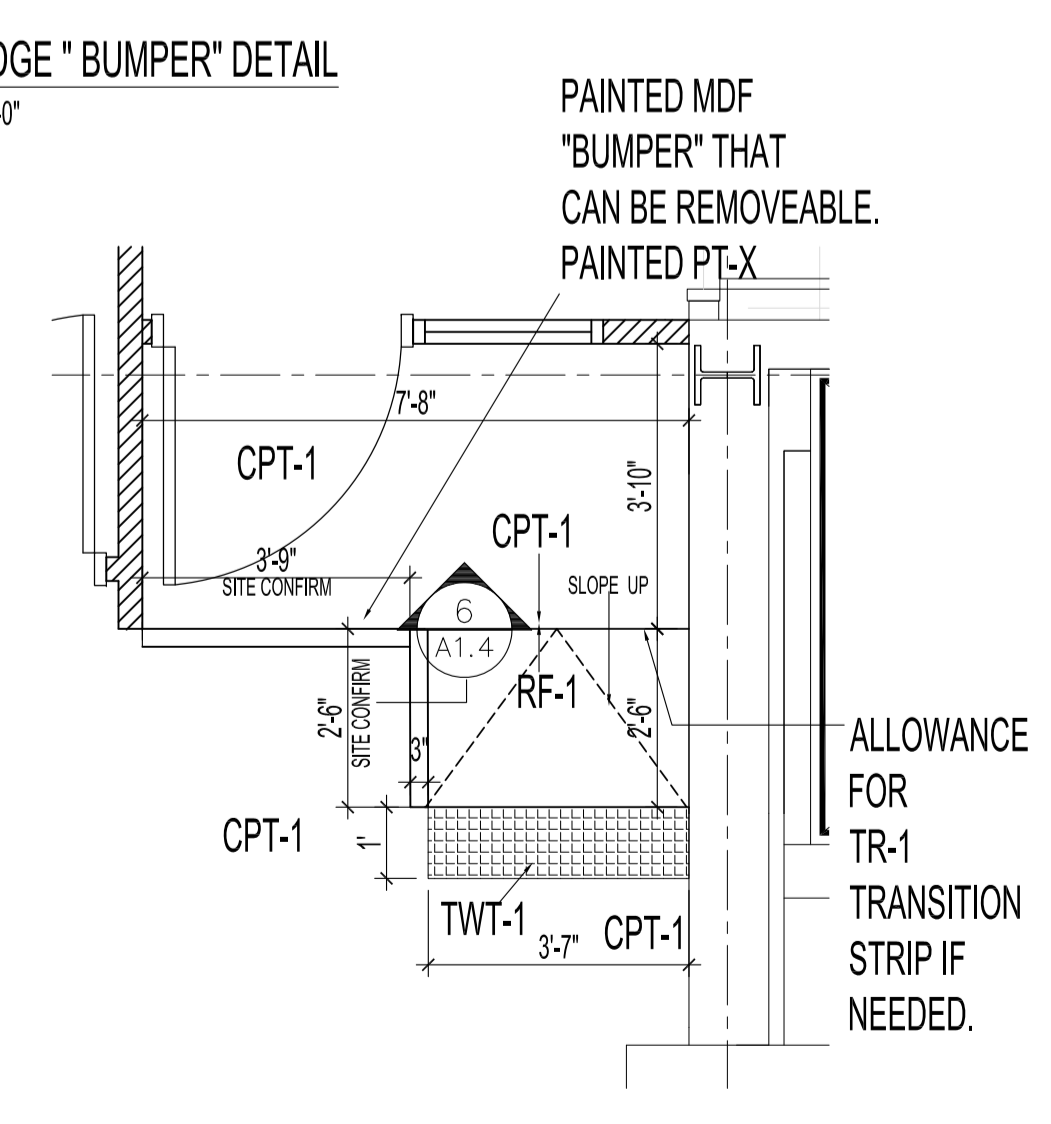
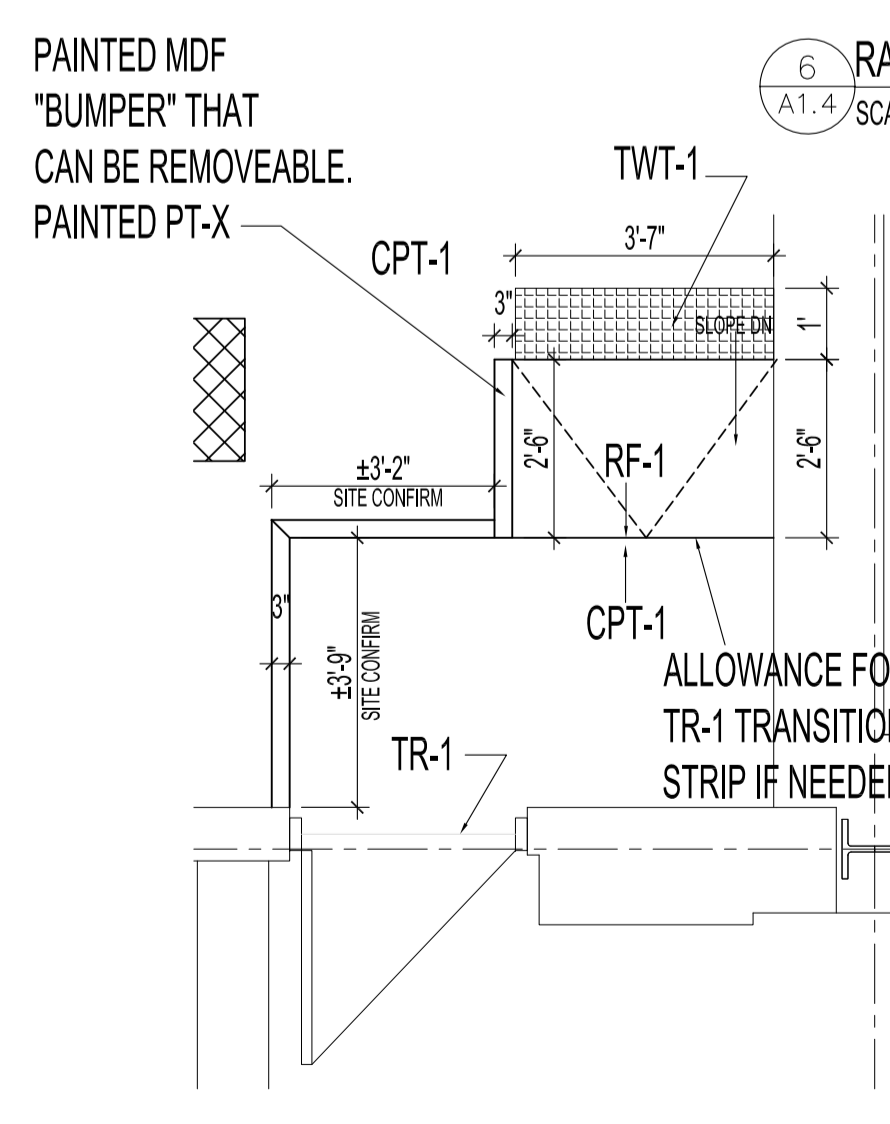
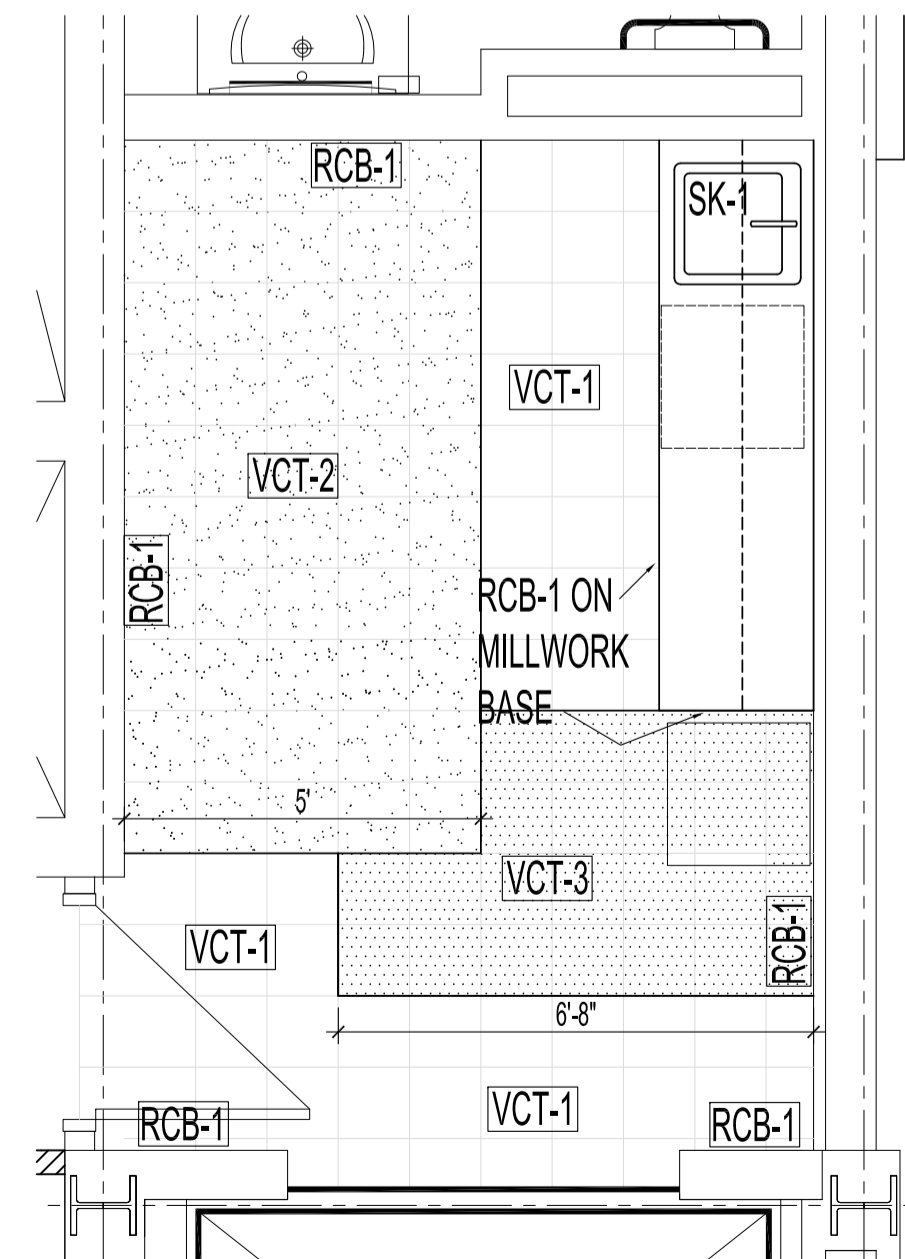
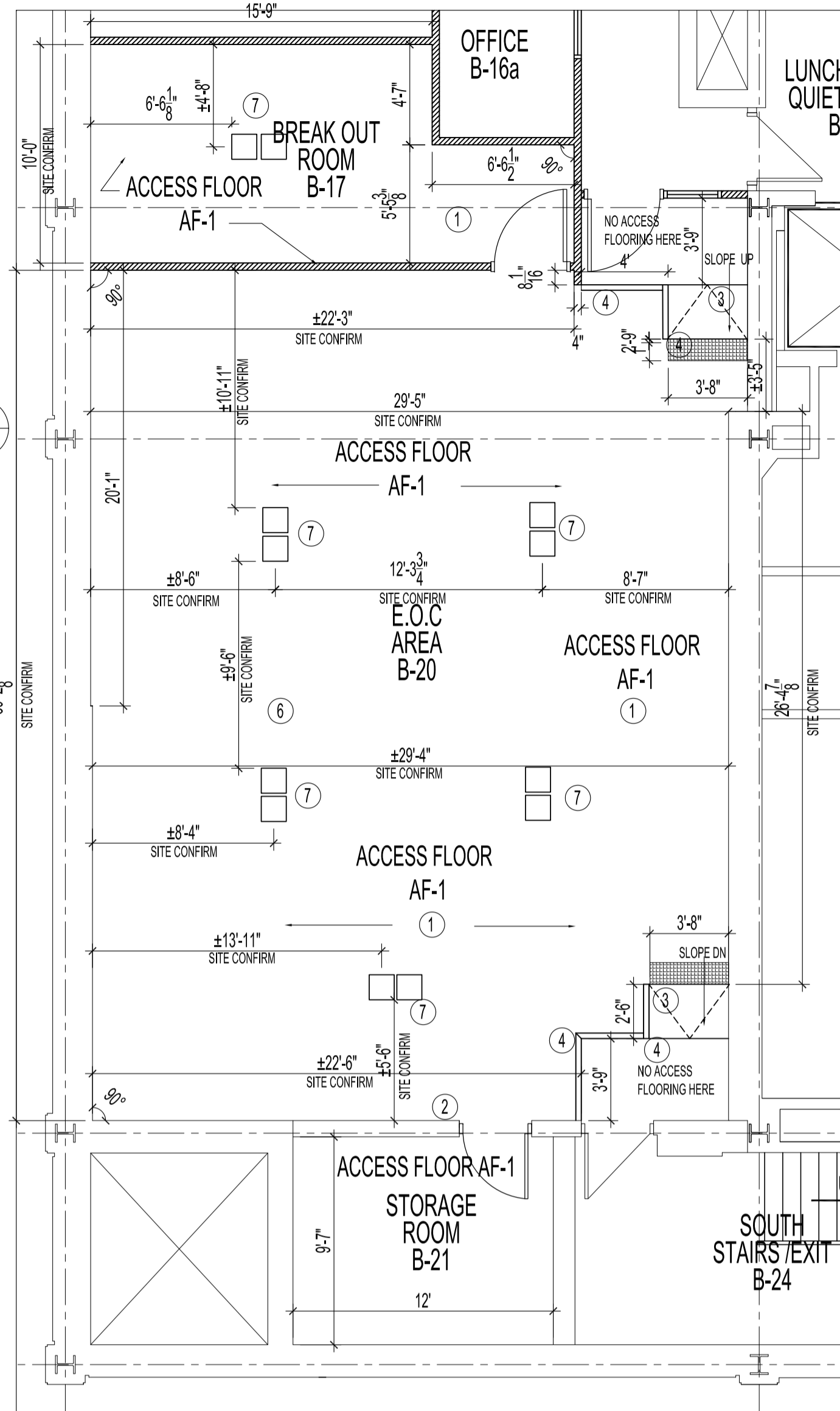
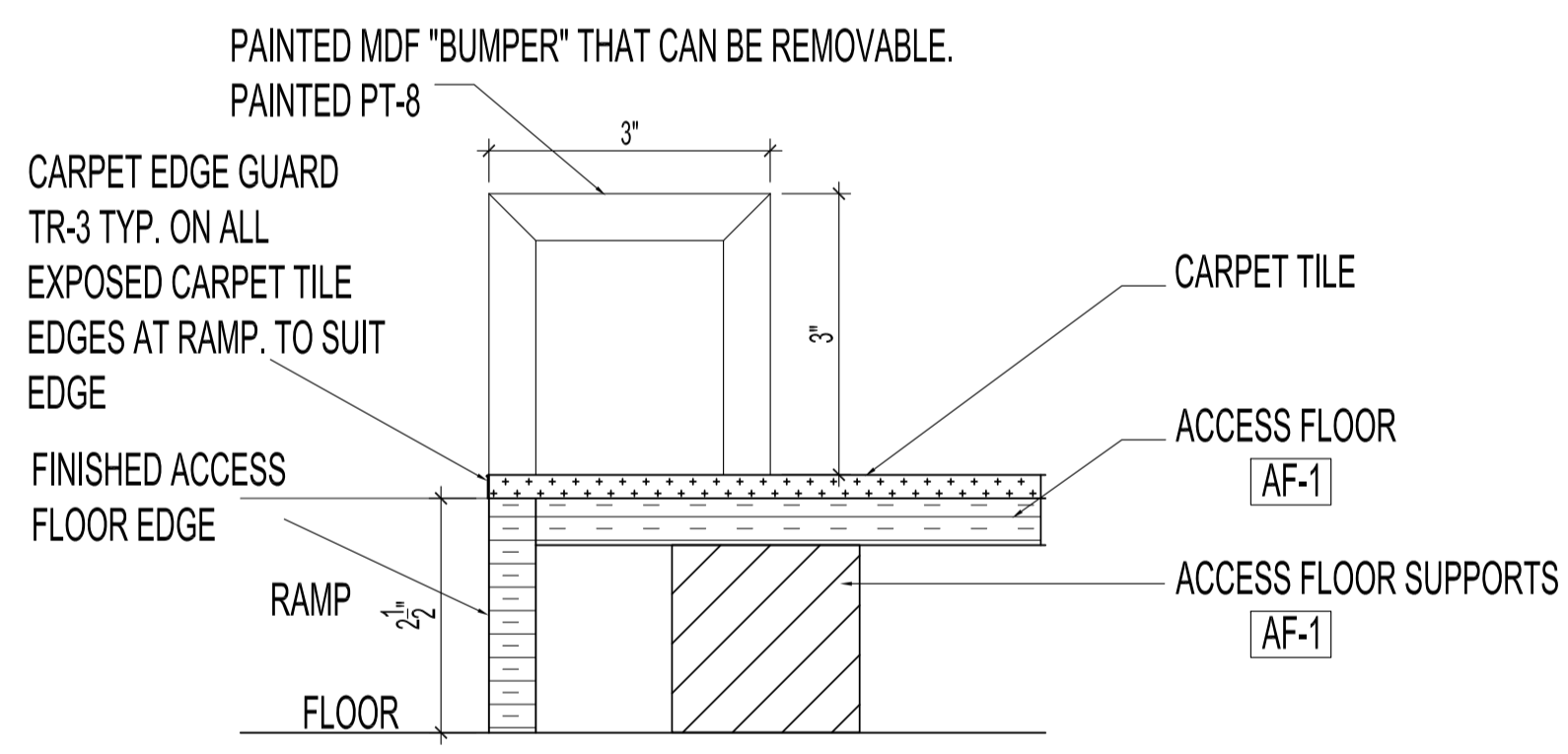
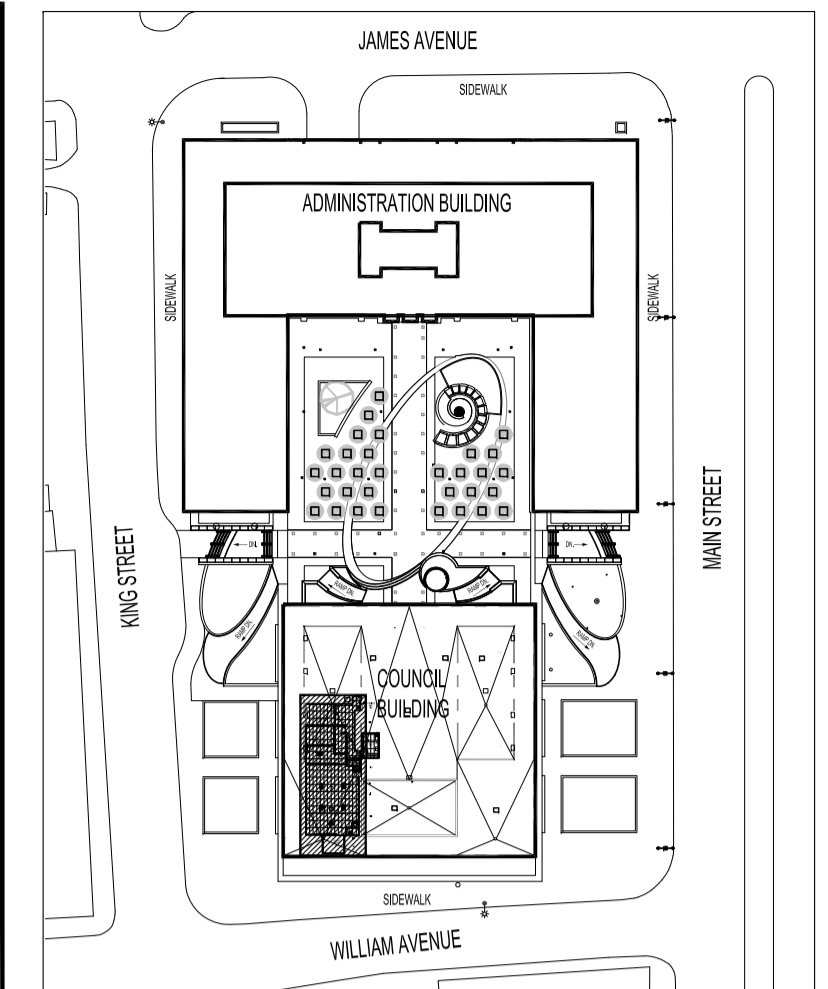


CARPET PRODUCT LEGEND			
	CPT-1 MAIN CARPET TILE		CPT-3 ACCENT CARPET TILE - GREEN
	CPT-2 ACCENT CARPET TILE - RED		CPT-4 ACCENT CARPET TILE - BLUE



- DRAWING NOTES**
- ACCESS FLOORING PRODUCT TO BE: STEELCASE UNDERSCORE LOW PROFILE ACCESS FLOOR. TO BE LOCATED IN EOC AREA B-20, STORAGE RM B-21 AND BREAK OUT ROOM B-17. REFER TO ENLARGED PLAN 2/A1.4. FINISH SPECIFICATIONS ON DWG. A1.5 AND BID OPP. DOCUMENTS PART E.-SPECIFICATIONS.
  - ACCESS FLOORING TO ACCOMMODATE EXISTING SURFACE MOUNTED POWER SWITCH CONDUIT ON WALL.
  - STEELCASE UNDERSCORE INTEGRAL RAMP KIT. RISE: RUN 1:12
  - 3" HIGH RAISED REMOVABLE "BUMPER" FOR SAFETY TO DETECT EDGE. REFER TO DETAIL 6/A1.4
  - REFER TO DRAWING A1.5R FOR FINISH SPECIFICATIONS AND ROOM FINISH SCHEDULE.
  - ALL CARPET TILE ON ACCESS FLOOR TO BE INSTALLED USING TARKETT TAPE. SOME ADHESIVE MAY BE REQUIRED AT PERIMETER. INSTALL ACCORDING TO MANUFACTURER'S INSTALLATION RECOMMENDATIONS
  - ELECTRICAL / DATA ACCESS POINTS IN ACCESS FLOOR FOR INFORMATION ONLY. REFER TO ELECTRICAL DRAWING E3 AND SITE CONFIRM ACCESS POINTS.
  - ALL CARPET TILE TO BE INSTALLED USING LOW VOC QUICK RELEASE ADHESIVE ACCORDING TO MANUFACTURER'S INSTALLATION RECOMMENDATIONS.



**NOTES:**

THESE DRAWINGS SHALL NOT BE SCALED. CONSULT WITH CONTRACT ADMINISTRATOR AND DESIGNER ON ANY CONCERNS.

SUBMISSION OF SITE MARK-UPS, AS-BUILTS, OPERATING & MAINTENANCE MANUALS AND OTHER SUPPORTING DOCUMENTS TO CLIENT ARE MANDATORY AT THE COMPLETION OF THIS PROJECT.

THE CONTRACTOR SHALL VISIT THE SITE AND SATISFY HIMSELF ALL DIMENSIONS, DATUM, AND DETAILED INFORMATION SHOWN ARE CORRECT.

THE CONTRACTOR IS TO REVIEW AND COORDINATE ALL ARCHITECTURAL, STRUCTURAL, MECHANICAL AND ELECTRICAL DRAWINGS FOR ADDITIONAL OPENINGS THROUGH FLOORS, WALLS, AND CEILINGS FOR DUCTS, PIPES & ELECTRICAL RISERS AND ALL OPENINGS NOT SHOWN ON DRAWINGS.

ALL OPENINGS THROUGH FIRE ASSEMBLIES INCLUDING FLOORS AND CEILINGS ARE TO BE FIRE STOPPED AND SEALED WITH UL APPROVED FIRE STOPPING TO MAINTAIN THE INTEGRITY OF THE FIRE SEPARATION, AND PROVIDE A SMOKE-TIGHT BARRIER.

ALL PRODUCTS AND MATERIALS TO BE USED AND INSTALLED SHALL CONFORM WITH MANUFACTURER'S SPECIFICATIONS, APPLICABLE CODES AND AUTHORITY HAVING JURISDICTION.

THE CONTRACTOR SHALL BE RESPONSIBLE TO PATCH AND MAKE GOOD ALL EXISTING CONSTRUCTION AFFECTED BY THE REMOVAL OF ALL ITEMS FORMING PART OF THE RENOVATION WORK.

WHERE NEW FLOORING AND BASE IS TO BE INSTALLED IN EXISTING AREAS (REFER TO FLOOR PLAN AND ROOM SCHEDULE) THE EXISTING FLOORING SURFACE AND BASE MUST BE REMOVED, UNLESS OTHERWISE NOTED. ALL FLOOR SURFACES SHALL BE PREPARED IN ACCORDANCE TO MANUFACTURER'S RECOMMENDATIONS FOR INSTALLATION OF NEW FLOOR.

WHERE PAINTING OF EXISTING WALLS IS INDICATED ON THE ROOM SCHEDULE, THESE WALLS MUST BE CLEANED OF ANY EXISTING WALL COVERING, PATCHED & PREPARED TO ACCEPT NEW MATERIAL, UNLESS OTHERWISE NOTED.

ALL NEW LIGHTING FIXTURES & NEW RECEPTACLES TO BE CONNECTED TO APPROPRIATE PANELS.

GENERAL DUTY RECEPTACLES SHALL BE WHITE & CSA APPROVED, C/W STAINLESS STEEL TRIM PLATES MOUNTED 18" ABOVE FINISHED FLOOR OR OTHERWISE NOTED.

THERMOSTATS, FIRE ALARM PULL STATIONS & OCCUPANCY LIGHT SWITCHES SHALL BE MOUNTED 47" ABOVE FINISHED FLOOR OR OTHERWISE NOTED.

ALL ABANDONED ELECTRICAL FIXTURES, COMPONENTS, RECEPTACLE & DATA WIRING SHALL BE REMOVED BACK TO SOURCE & TERMINATED AS PER APPLICABLE CODES. IF APPLICABLE, THIS INCLUDES WIRING CONTAINED IN HEADER DUCTS IN-FLOOR.

REFER TO CITY OF WINNIPEG, MATERIALS MANAGEMENT GENERAL TERMS & CONDITIONS FOR PROJECT: [HTTP://WINNIPEG.CA/MATMGM/GEN\\_COND.STM](http://winipeg.ca/matmgm/gen_condo.stm)

**WARNING:**

ASBESTOS KNOWN TO BE PRESENT IN SPRAY ON FIREPROOFING ABOVE CEILING TILES. ABATEMENT BY CITY OF WINNIPEG CONTRACTOR TO PRECEED START OF CONSTRUCTION. ASBESTOS MAY BE PRESENT IN OTHER AREAS. IF ASBESTOS OR ANY HAZARDOUS MATERIAL IS FOUND, STOP WORK IMMEDIATELY & CONTACT CITY OF WINNIPEG, CENTRAL CONTROL, PH: 204-986-2351.

No.	REVISION/DESCRIPTION	BY	DATE
1	ADDENDUM NO. 1	K/JN	OCT.9 2018
0	ISSUED FOR CONSTRUCTION	K/JN	SEPT. 24 2018
00	ISSUED FOR 60% CLIENT REVIEW	K/JN	AUG. 17 2018



DRAWN	CHECKED	DESIGNED	APPROVED
K/JN			

DATE: 2018.09.25 USER: APPROVAL

THE CITY OF WINNIPEG  
PLANNING, PROPERTY AND  
DEVELOPMENT DEPARTMENT  
MUNICIPAL ACCOMMODATIONS DIVISION  
3-65 GARRY STREET, R3C 4K4

PROJECT  
WFPS EMERGENCY OPERATIONS CENTRE  
INTERIOR RENOVATION

510 MAIN STREET BID OPP # 870-2018

SHEET TITLE  
FLOOR AND FINISH PLANS

SCALE	PROJECT No:	SHEET No:
AS NOTED	2018-010	A1.4R1