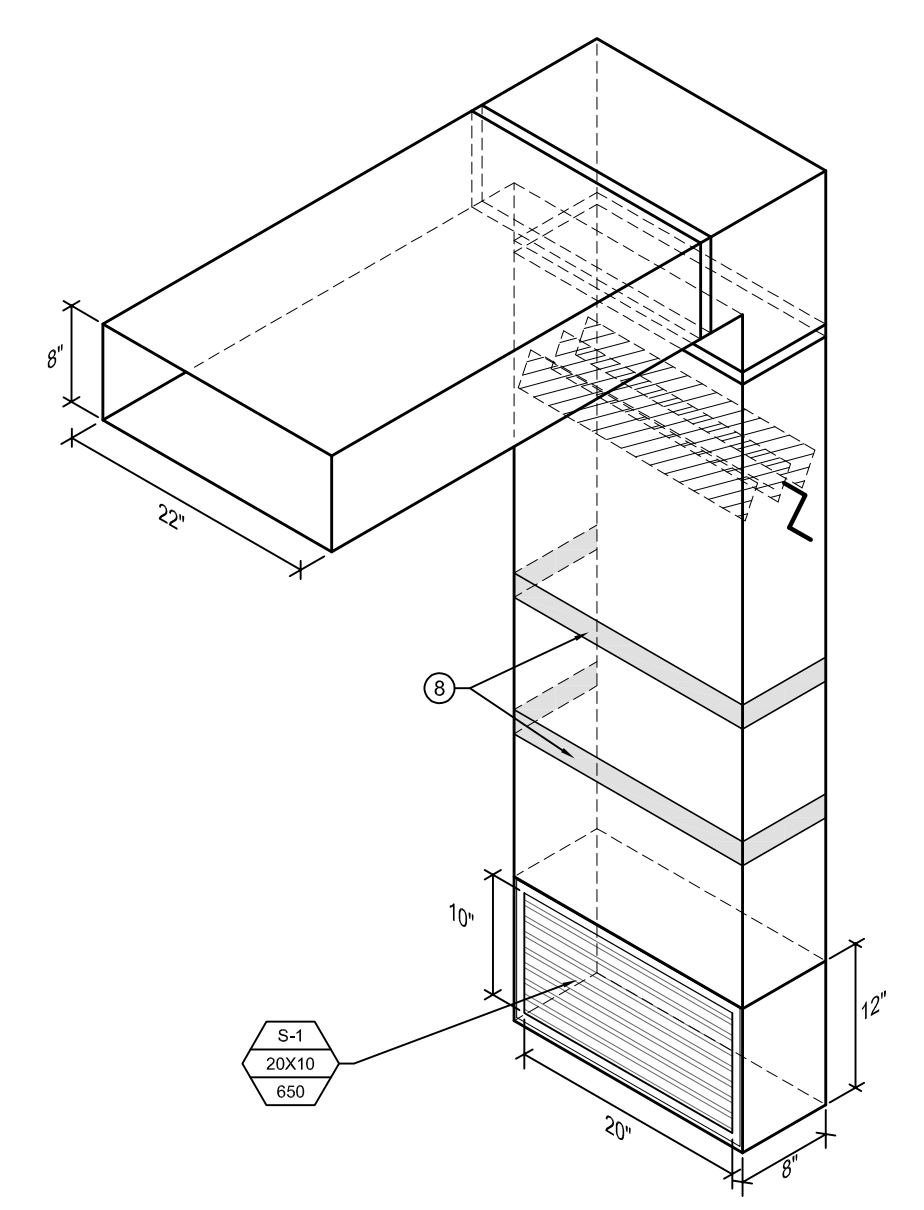


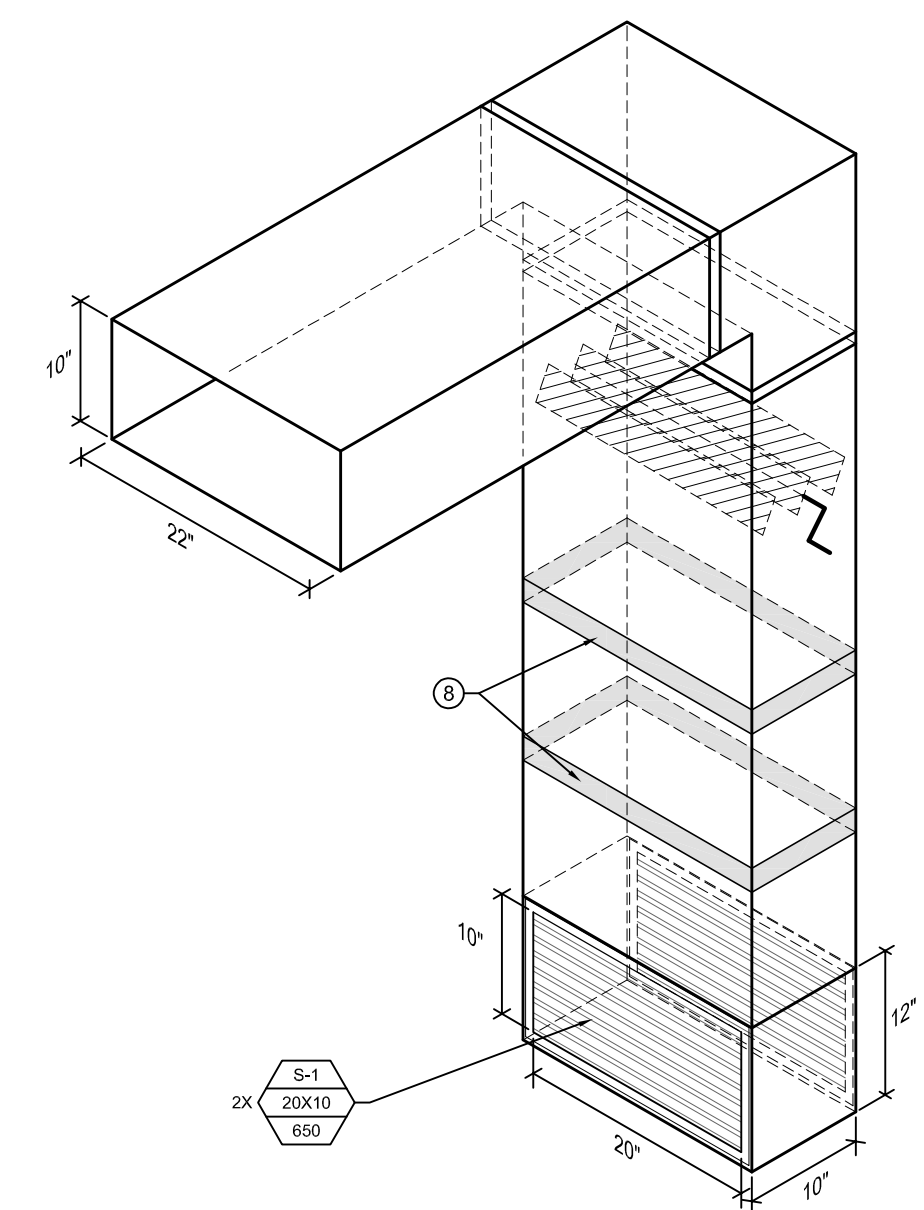
1 MAIN FLOOR PLAN - TRACK 13-24 - NEW CONSTRUCTION - VENTILATION
SCALE: 1/8" = 1'-0"

ALL SUPPLY AIR DUCTWORK MAINS RUNNING EAST - WEST ALONG GRIDLINE K AND V TO BE MANUFACTURED AS 2" W.C. PER SMACNA STANDARD. ALL REMAINING SUPPLY AIR DUCTWORK TO BE MANUFACTURED AS 1.0" W.C. PER SMACNA STANDARD.
ALL EXHAUST AIR DUCTWORK TO BE MANUFACTURED AS 1.0" W.C. PER SMACNA STANDARD.

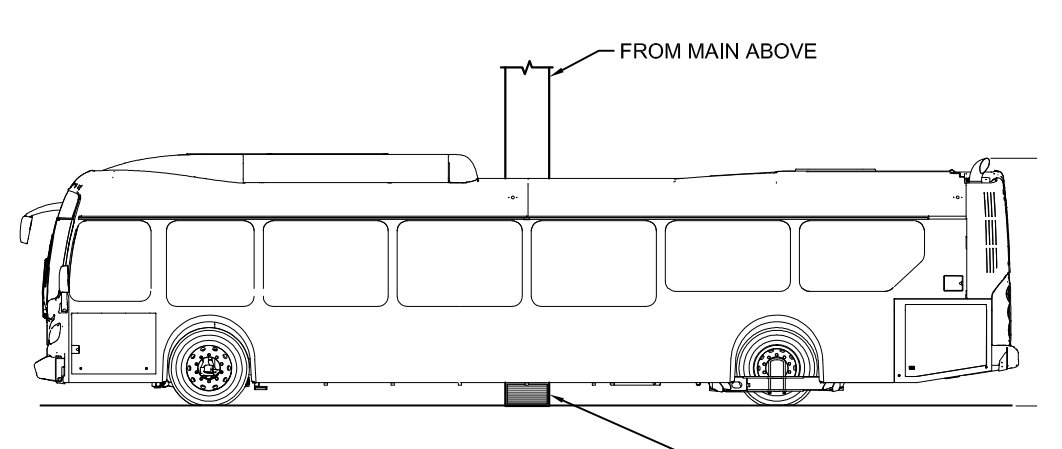
AS INDICATED ON STRUCTURAL DRAWING THE EXIST ROOF HAS BEEN DESIGNED FOR 30 psf LIVE LOAD. THE CONTRACTOR IS TO DETERMINE AN APPROPRIATE METHOD OF TRANSPORTING MATERIALS & MECHANICAL UNITS TO THE FINAL LOCATION WITHOUT EXCEEDING THIS DESIGN LOAD. ANY TRANSPORTATION METHOD SHOULD ENSURE PROTECTION OF THE EXIST ROOF SURFACE & UNDERLYING INSULATION.



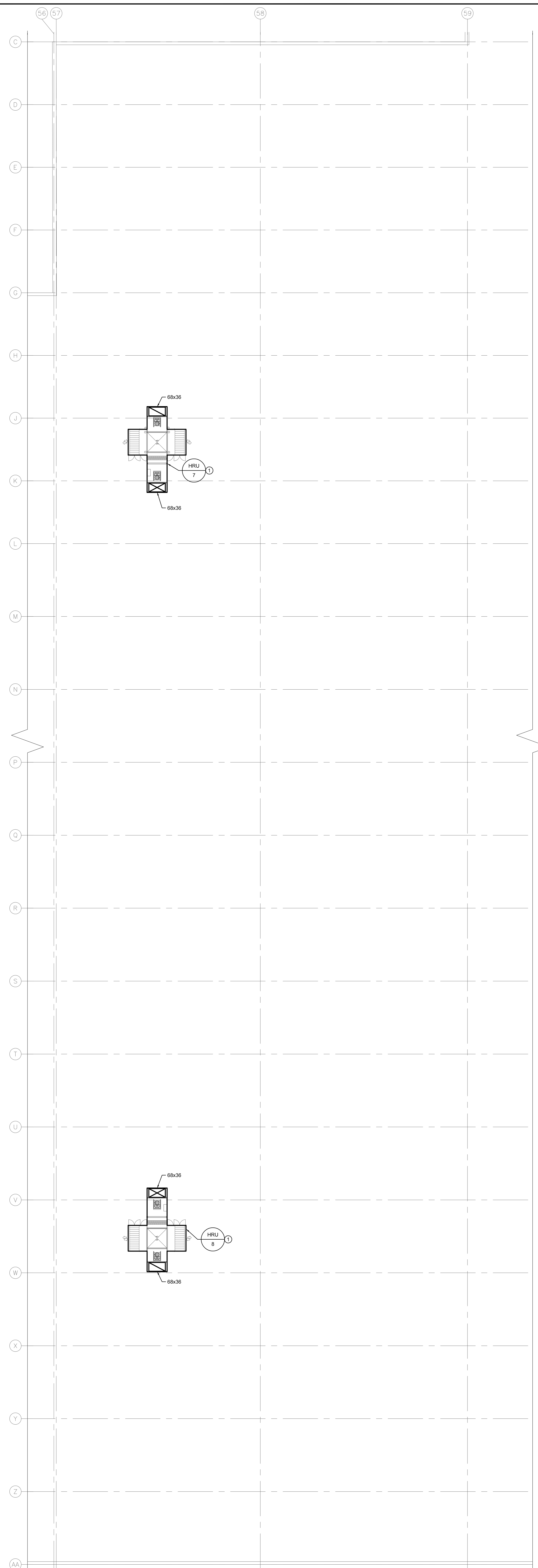
3 SUPPLY AIR PLENUM DETAIL ALONG GRIDLINE 57 & 59
SCALE: N.T.S.



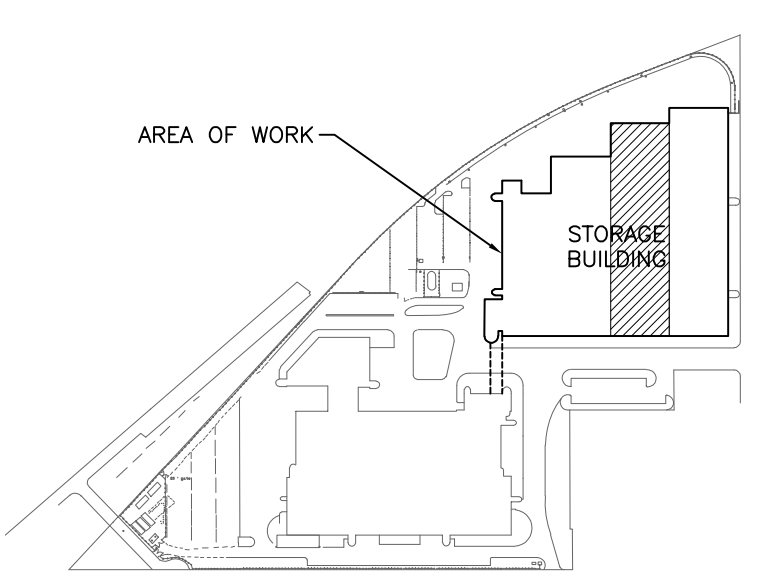
4 SUPPLY AIR PLENUM DETAIL ALONG GRIDLINE 58
SCALE: N.T.S.



5 BUS - SECTION
SCALE: N.T.S.



2 ROOF PLAN - TRACK 13-24 - NEW CONSTRUCTION - VENTILATION
SCALE: 1/8" = 1'-0"



KEY PLAN
NTS

GENERAL NOTES

- A. THIS BUILDING MAY CONTAIN ASBESTOS. REFER TO FRONT END SPECIFICATIONS FOR FURTHER INFORMATION.
- B. REFER TO ROOF DETAILS AND SPECIFICATIONS FOR ALL NEW AND CAPPED OPENINGS.

KEY NOTES @

1. HRU TO BE MOUNTED ON STRUCTURAL STAND; REFER TO STRUCTURAL AND NOTE ON THIS DRAWING FOR TRANSPORTING OF HRU ON ROOF.
2. INSTALL DUCTWORK TO UNDERSIDE OF JOIST TO MAINTAIN MINIMUM 14" CLEAR.
3. RUN DUCT DOWN WALL TO SUPPLY GRILLE AT FLOOR LEVEL. CW BALANCING DAMPER ON BRANCH. SUPPORT DUCT FROM WALL.
4. SUPPLY AIR GRILLE AT LOW LEVEL. 12" ABOVE FLOOR. REFER TO 3/16" x 1/4" x 1/4" FOR DUCTWORK DETAILS.
5. RUN DUCT DOWN COLUMN TO SUPPLY GRILLES AT FLOOR LEVEL. CW BALANCING DAMPER ON BRANCH. SUPPORT DUCT FROM COLUMN.
6. OPEN ENDED EXHAUST OPENING CW WIREMESH. AT HIGH LEVEL.
7. DUCT MAINS RUNNING NORTH/SOUTH SHALL BE INSTALLED ABOVE A SINGLE BUS LINE TO ALLOW OTHER LANES TO REMAIN ACTIVE DURING CONSTRUCTION.
8. PROVIDE YELLOW BANDING ON DUCT DRIPS FOR VISUAL INDICATION. BANDING TO MATCH EXISTING IN TRACK 1-12.
9. NEW DUCT TO RUN BELOW EXISTING DUCT.
10. THEORETICAL AIR FLOW PATTERN FROM SUPPLY GRILLES WITH A 0" VERTICAL DEFLECTION AND 22.5" HORIZONTAL DEFLECTION. AIR GRILLES PRIOR TO BALANCING.
11. DUCTS RUNNING EAST/WEST TO BE RECESSED UP INTO JOIST SPACE.
12. OFFSET NEW DUCT TO AVOID EXISTING PIPE INTERFERENCE WHILE MAINTAINING 14" CLEAR HEIGHT REQUIREMENT.

NO.	Description	BY	DDMMYY
1	ISSUED FOR ADDENDUM 3	JH	09/12/18
0	ISSUED FOR CONSTRUCTION	JH	09/11/19

ENGINEERS
GEOSCIENTISTS
MANITOBA
Certificate of Authorization
SMS Engineering Ltd.
No. 166

OFFICIAL
CONTRACT DRAWING
BONDED AND SEALED BY
J.T. HOFFROCKS, P. ENG
NOVEMBER 9, 2018

770 Bradford Street
Winnipeg, Canada
T 204 775 0291
SMSeng.com

SMS
ENGINEERING

Project Title
CITY OF WINNIPEG FORT ROUGE
TRANSIT BASE - STORAGE TRACK
13-24 - MECHANICAL UPGRADE

WINNIPEG MANITOBA
MAIN FLOOR AND ROOF PLAN -
TRACK 13-24 - NEW
CONSTRUCTION -
VENTILATION

Drawn By	Checked By	Approved By
JZ/AS	XZ	JH
Scale AS NOTED	Date NOVEMBER, 2018	Project No. 18-246-01
Revision Number	Drawing Number	Sheet Order
1	M2.4	9 OF 12