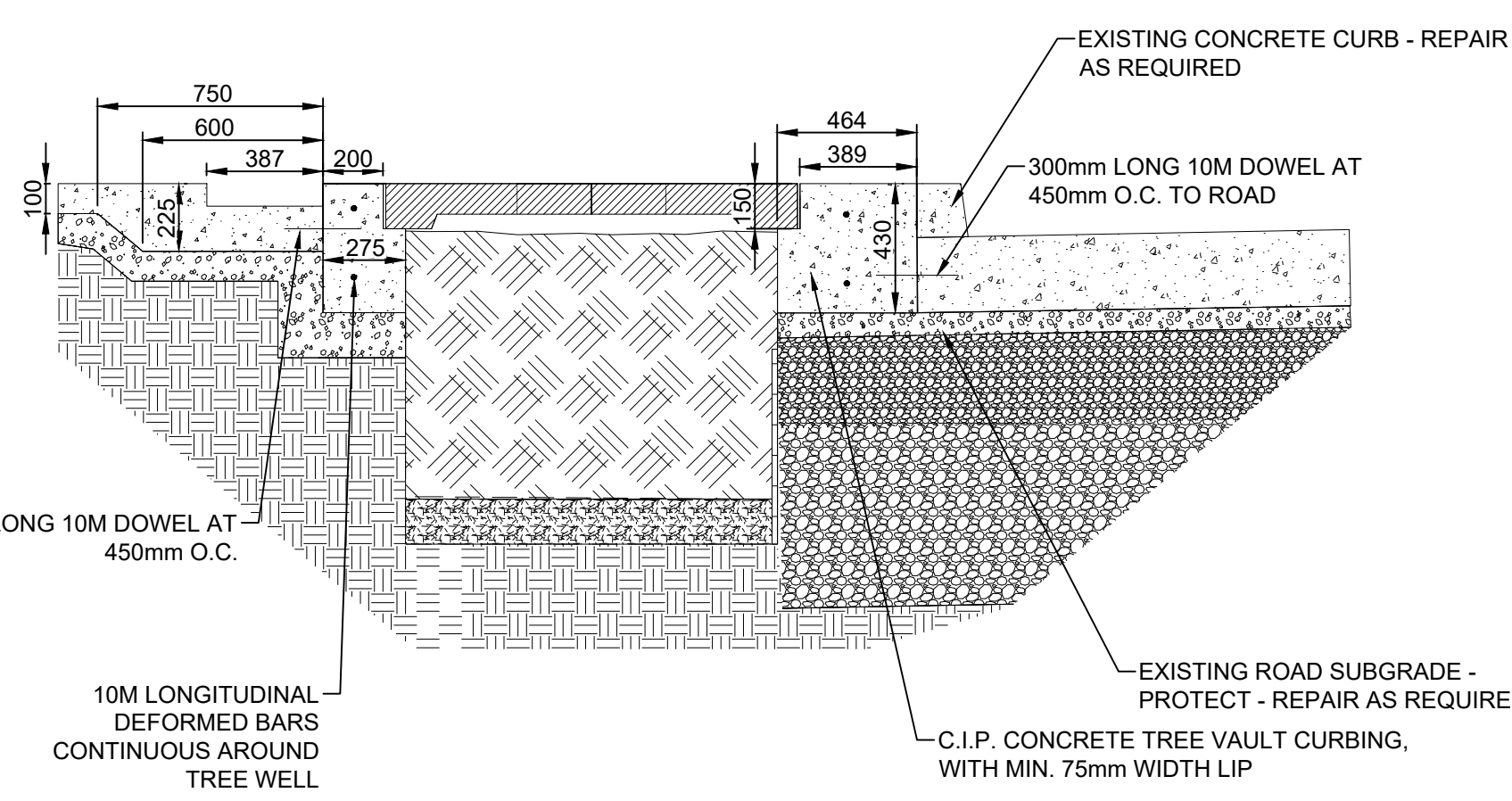


DETAIL A  
N.T.S.  
DETAIL B  
N.T.S.  
TREE VAULT PLAN  
N.T.S.

- CONSTRUCTION NOTES**
- OVERLAY EXISTING PAVEMENT WITH ASPHALT
  - CONSTRUCT NEW 100mm CONCRETE SIDEWALK (SD-228A)
  - REMOVE EXISTING CURB AND CONSTRUCT NEW BARRIER CURB (SD-206A)
  - CONSTRUCT NEW 200mm CONCRETE PAVEMENT AND CAP WITH ASPHALT
  - RECONSTRUCT EXISTING TREE VAULT (REFERENCE DETAIL A/B ON SHEET 9)
  - LIMIT OF ASPHALT OVERLAY
  - REMOVE EXISTING SIDEWALK AND CONSTRUCT NEW MONOLITHIC CONCRETE CURB AND SIDEWALK (SD-228B)
  - STREET LIGHT TO BE RELOCATED BY OTHERS
  - REMOVE EXISTING PAVEMENT AND CONSTRUCT NEW 250mm CONCRETE PAVEMENT
  - REMOVE EXISTING TREE
  - REMOVE EXISTING CURB AND CONSTRUCT NEW SAFETY CURB (SD-206B)
  - REMOVE EXISTING PAVERS
  - REMOVE EXISTING PAVERS AND INSTALL NEW 250mm CONCRETE PAVEMENT
  - REMOVE EXISTING BULLNOSE AND INSTALL NEW MONOLITHIC CONCRETE BULLNOSE (SD-227C)
  - ADJUST EXISTING MH FRAME AND COVER
  - INSTALL LIFTER RING TO MATCH NEW GRADES
  - NOT TO BE ADJUSTED. PROTECT DURING CONSTRUCTION
  - REMOVE AND RECONSTRUCT SAFETY MEDIAN (SD-226B)

- GENERAL NOTES**
- PAVEMENT DIMENSIONS ARE TO BACK OF CURB
  - ALL CURB RADI UNDER 15.0m SHALL BE MODIFIED
  - ADD 200.000m TO ALL DESIGN ELEVATION TO OBTAIN GEODETIC ELEVATIONS
  - CURB REPLACEMENT AS DIRECTED BY CONTRACT ADMINISTRATOR
  - INSTALL DETECTABLE WARNING TILES AT ALL PEDESTRIAN CROSSINGS
  - CONTRACTOR TO TAKE PRECAUTIONARY STEPS TO PROTECT EXISTING TREES WITHIN CONSTRUCTION LIMITS FROM DAMAGE FROM CONSTRUCTION ACTIVITIES, AS OUTLINED IN THE SPECIFICATIONS
  - CONTRACTOR TO CONFIRM LOCATIONS OF ALL UTILITIES/ SERVICES PRIOR TO CONSTRUCTION
  - USE EXTREME CAUTION WHEN WORKING ABOVE UTILITY VAULTS
  - ADJUST MANHOLE, CATCH BASIN CATCH PIT AND WATER VALVE RIMS TO NEW GRADES



TREE VAULT SECTION  
N.T.S.

**PRELIMINARY**  
NOT TO BE USED FOR CONSTRUCTION

**METRIC**  
WHOLE NUMBERS INDICATE MILLIMETERS  
DECIMALIZED NUMBERS INDICATE METERS  
BID OPPORTUNITY NO. 100-2019

EXISTING	LEGEND - PLAN	PROPOSED	EXISTING	LEGEND - PLAN	PROPOSED	EXISTING	LEGEND - PROFILE	PROPOSED
⊕	HYDRANT	◆	---	LDS/WWS	---	▬	CONCRETE	▬
⊗	VALVE	●	---	WATERMAIN	---	▬	CONCRETE SIDEWALK	▬
⊙	CURB STOP	●	---	GAS	---	▬	ASPHALT	▬
○	MANHOLE	●	---	TRAFFIC SIGNALS	---	▬	LEGEND - PLAN	PROPOSED
□	CATCH BASIN	●	---	HYDRO/STREET LIGHT	---	▬	EXISTING	PROPOSED
△	CURB INLET	●	---	MTS/SHAW	---	▬	LEGEND - PLAN	PROPOSED
○	HYDRO POLE	◆	---	CURB RENEWAL	---	▬	SOUTHBOUND GUTTER	▬
○	LIGHT STANDARD	◆	---	PROPERTY LINE	---	▬	NORTHBOUND MEDIAN LANE	▬
○	TRAFFIC SIGNAL POLE	◆	---	RAMP CURB	---	▬	NORTHBOUND GUTTER	▬
+	SURVEY BAR	◆	---	ELEVATIONS	(231.000)	▬	SOUTHBOUND MEDIAN LANE	▬
⊕	GEODETIC BENCH MARK	◆	---	TREE	---	▬	---	---

**LOCATION APPROVED**  
UNDERGROUND STRUCTURES

SUPR. LIG. STRUCTURES COMMITTEE DATE

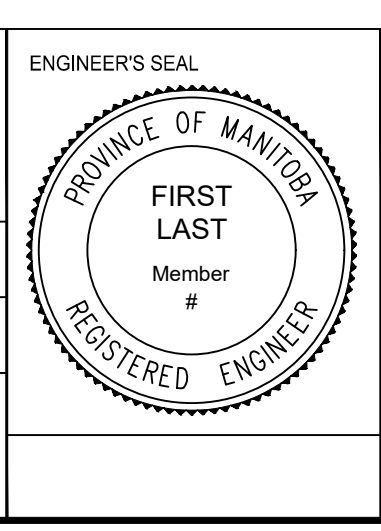
**NOTE:**  
LOCATION OF UNDERGROUND STRUCTURES AS SHOWN ARE BASED ON THE BEST INFORMATION AVAILABLE. BUT NO GUARANTEE IS GIVEN THAT ALL EXISTING UTILITIES ARE SHOWN OR THAT THE GIVEN LOCATIONS ARE EXACT. CONFIRMATION OF EXISTENCE AND EXACT LOCATION OF ALL SERVICES MUST BE OBTAINED FROM THE INDIVIDUAL UTILITIES BEFORE PROCEEDING WITH CONSTRUCTION.

B.M. ELEV.	NO.	REVISIONS	DATE	BY
	1	ISSUED FOR ADDENDUM 2	2019/06/05	CH
	0	ISSUED FOR TENDER	2019/05/22	CH

**ENGINEERING DIVISION**  
**TECHNOLOGY SERVICES BRANCH**  
106 - 1155 PACIFIC AVE

DESIGNED BY T.K. CHECKED BY C.H.  
DRAWN BY S.D. & T.K. APPROVED BY

HOR. SCALE: 1 : 250  
VERTICAL: 1 : 10  
DATE: 2019/05/21



**THE CITY OF WINNIPEG**  
PUBLIC WORKS DEPARTMENT

**MAIN ST**  
FROM LOMBARD AVE TO HIGGINS AVE  
ASPHALT OVERLAY AND ASSOCIATED WORKS  
FROM STA. 10+30 TO STA. 10+86.5

CITY DRAWING NUMBER SE-19-30-R1  
SHEET 9 OF 11  
9