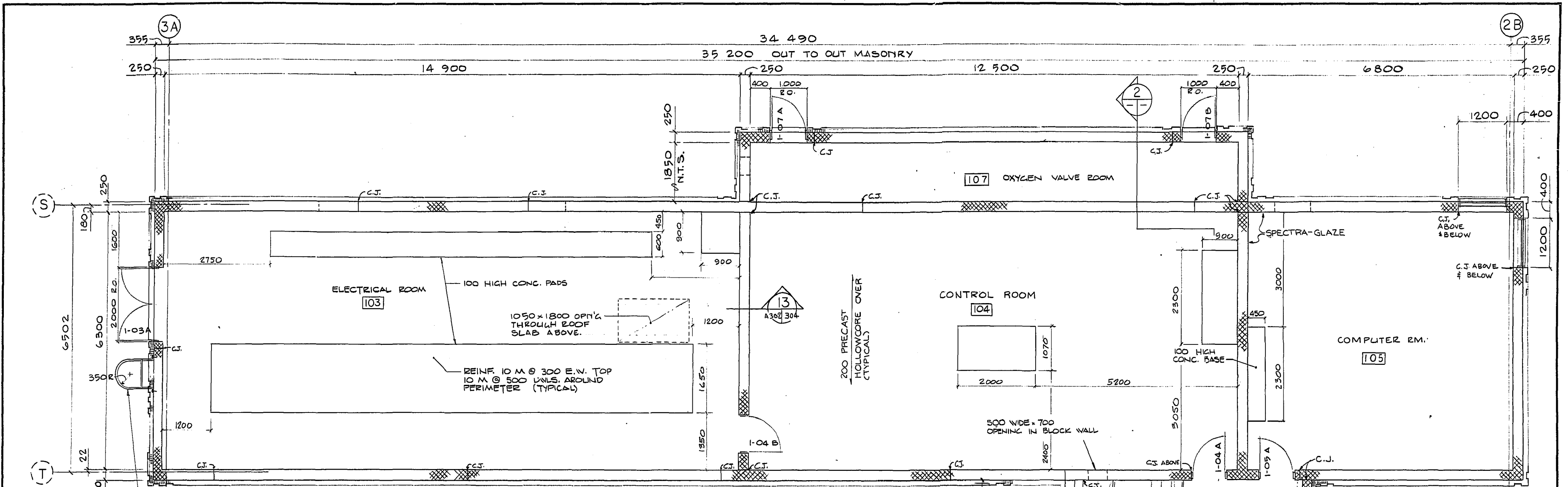


APPENDIX A - REACTOR ROOF HISTORICAL DRAWINGS

REF. or DRAWING NO. **NEP 1074**  
**DETAILS REACTOR BLDG. PLAN, SECTION & ELEV.**

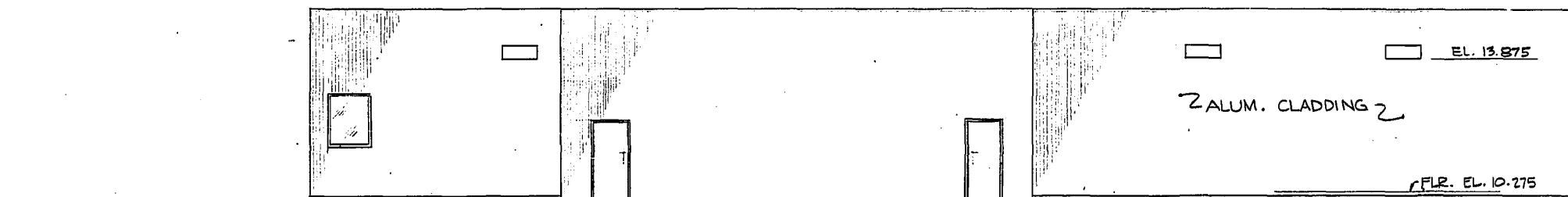


STEEL ACCESS LADDER TO ROOF C/W SAFETY CAGE. PROVIDE:  
 • 19# RUNGS @ 300 O.C.  
 • 9 x 50 RAILS  
 • 6 x 50 HOOPS  
 • 5 x 45 SLATS

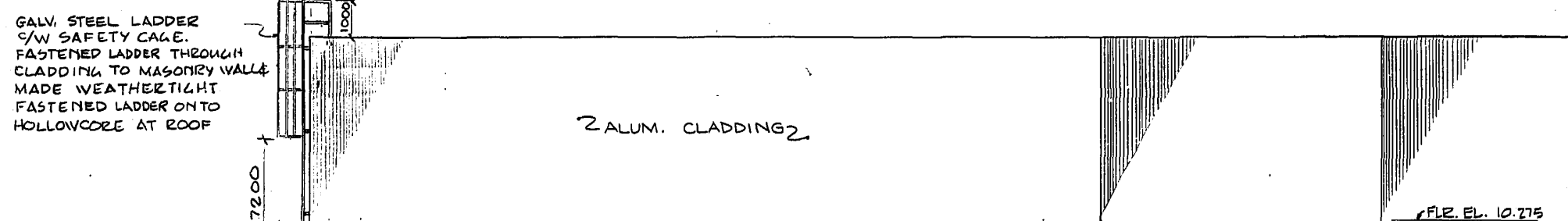
NOTE FOR PILASTER LOCATIONS IN REACTOR BLDG. WALLS SEE SHOP DWG. #2995

**PLAN - REACTOR BUILDING**  
 FIN. FLR. ELEV. 10.275 UNLESS NOTED  
 1:50

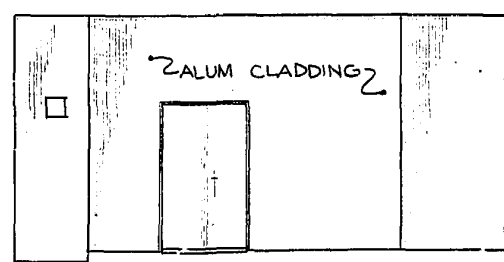
DESCRIPTION	SUPPLIER	NUMBER
Hollowcore Roof-Reactor Building	Genstar Structures	2394
Masonry Pilasters	Boge & Boge	2395
Ladder Details	Shopost Iron Works	2416
Aluminum Siding Details	Advance Roofing	2422
Roof Insulation Details	Aerofom	2425



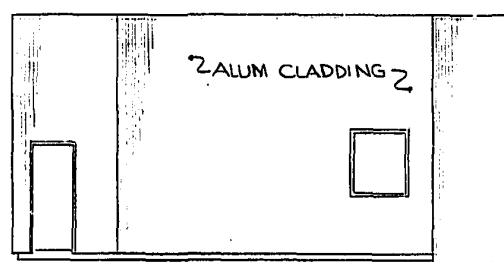
**NORTH ELEVATION**  
 1:100



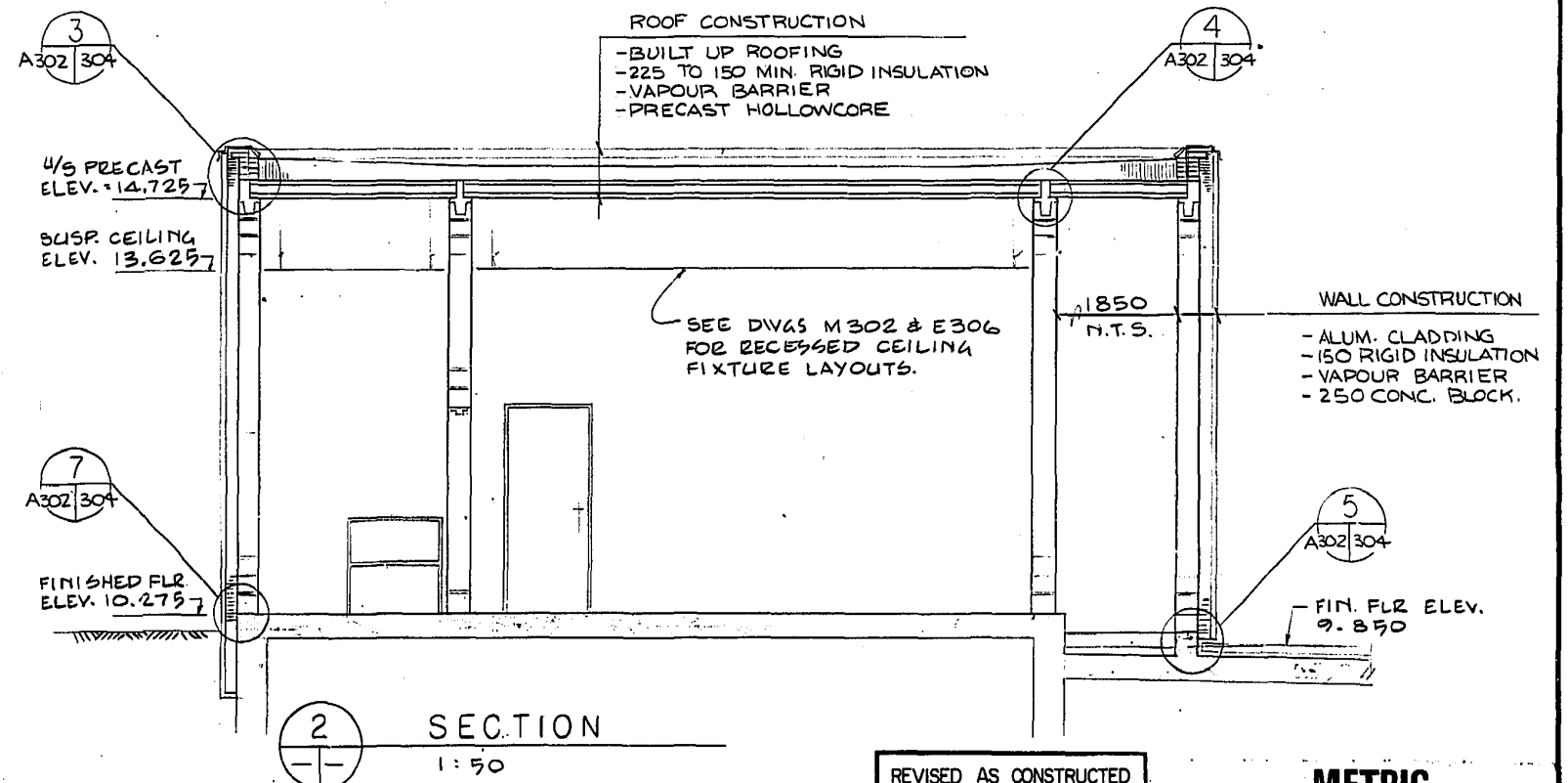
**SOUTH ELEVATION**  
 1:100



**WEST ELEVATION**  
 1:100



**EAST ELEVATION**  
 1:100

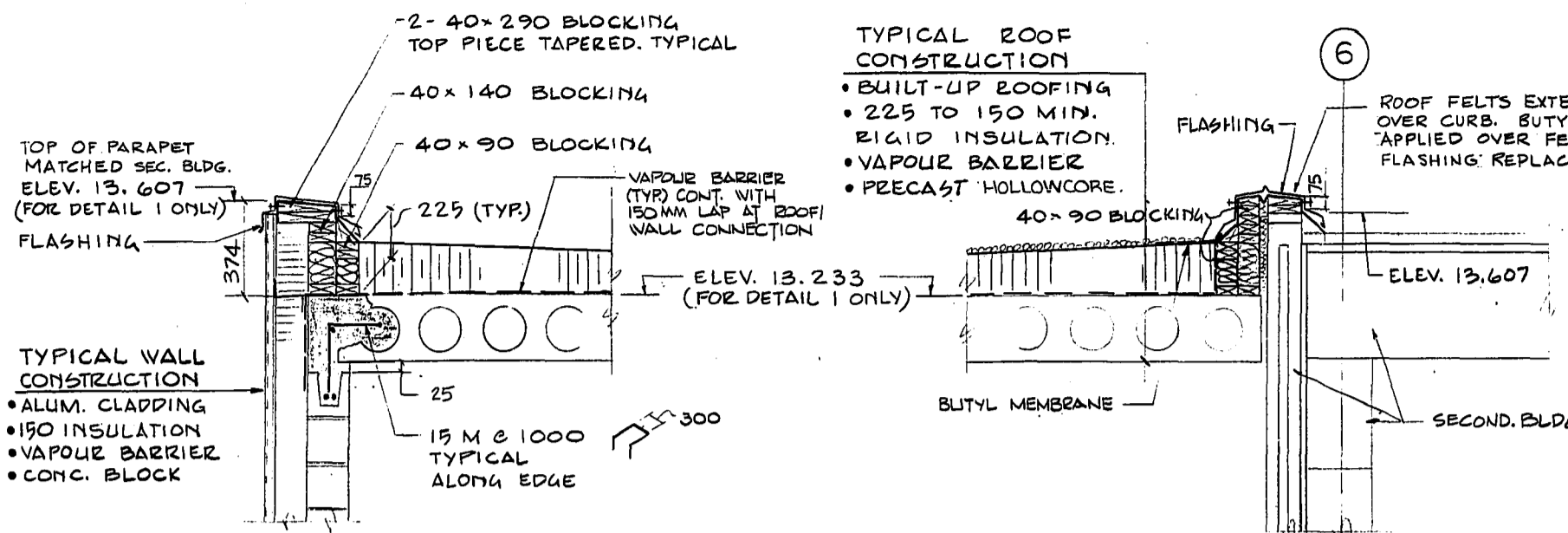


**SECTION**  
 1:50

REVISED AS CONSTRUCTED  
 DATE JULY 1985 BY [Signature]  
 CHECKED BY [Signature]

**METRIC**  
 WHOLE NUMBERS INDICATE MILLIMETRES  
 DECIMALIZED NUMBERS INDICATE METRES

	<b>W.L. WARDROP &amp; ASSOCIATES LTD.</b> MacLAREN ENGINEERS INC.		<p><b>THE CITY OF WINNIPEG</b>                  WORKS &amp; OPERATIONS DIVISION                  DIVISION OF WORKS, WASTE &amp; UTILITIES DEPARTMENT</p>	NORTH END WATER POLLUTION CONTROL CENTRE SECONDARY TREATMENT EXPANSION OXYGEN REACTOR TANKS ARCHITECTURAL REACTOR BUILDING PLAN, SECTION & ELEVATIONS RELEASED FOR CONSTRUCTION DATE: 1985 11 29 SCALE: AS SHOWN DRAWING NO.: NEP 1074
	DESIGNED BY: C.D.S.	DRAWN BY: [Signature]		
	CHECKED BY: [Signature]	DATE: 82.10.08		
	APPROVED BY: [Signature]	DATE: Dec 1982		

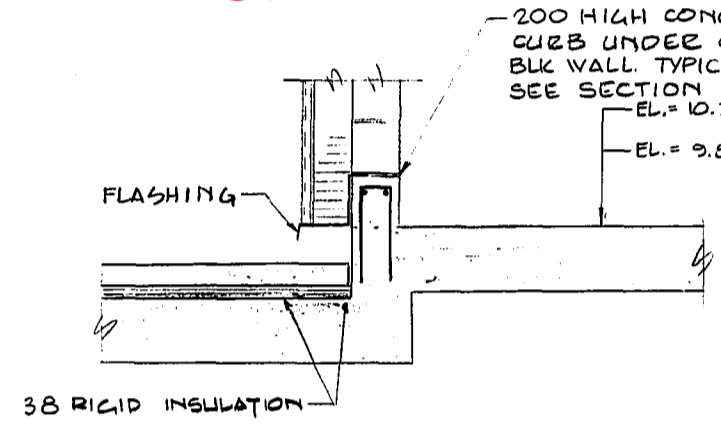


**1 DETAIL**  
A301 304 1:20  
DETAIL (A) SIMILAR

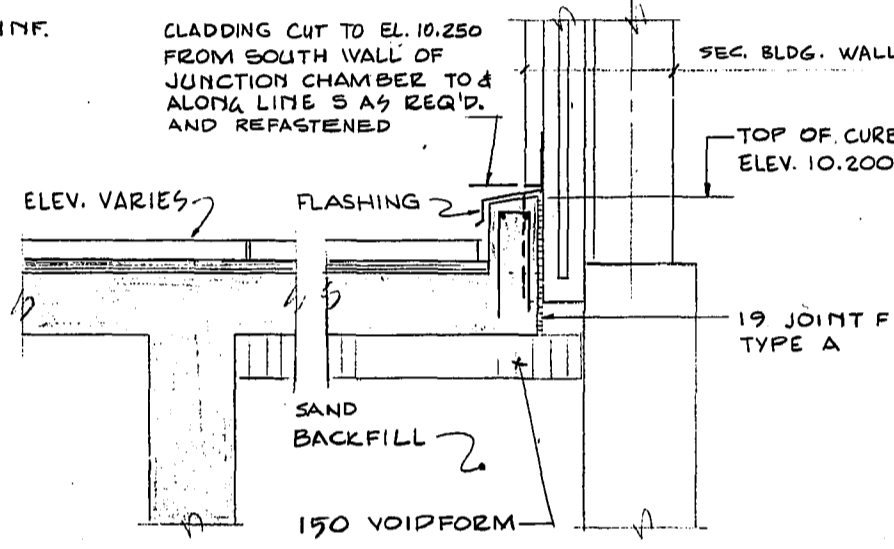
**2 DETAIL**  
A301 304 1:20

**3 DETAIL**  
A302 304 1:20

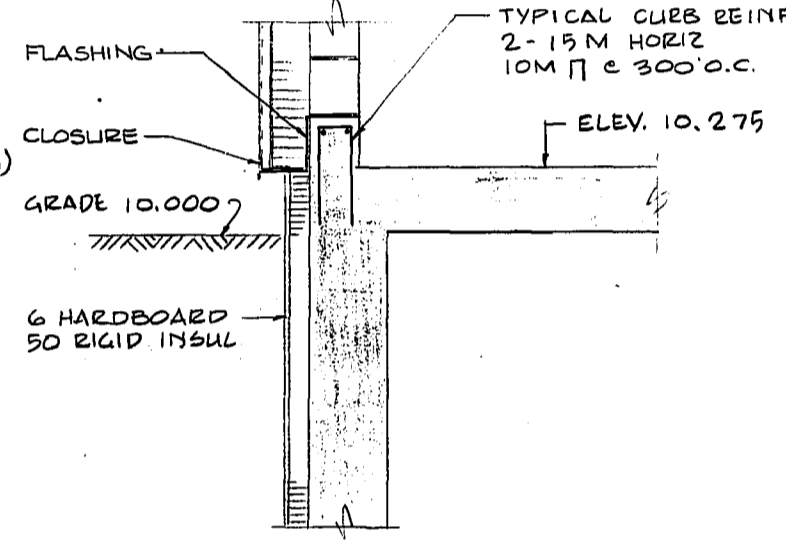
**4 DETAIL**  
A302 304 1:20



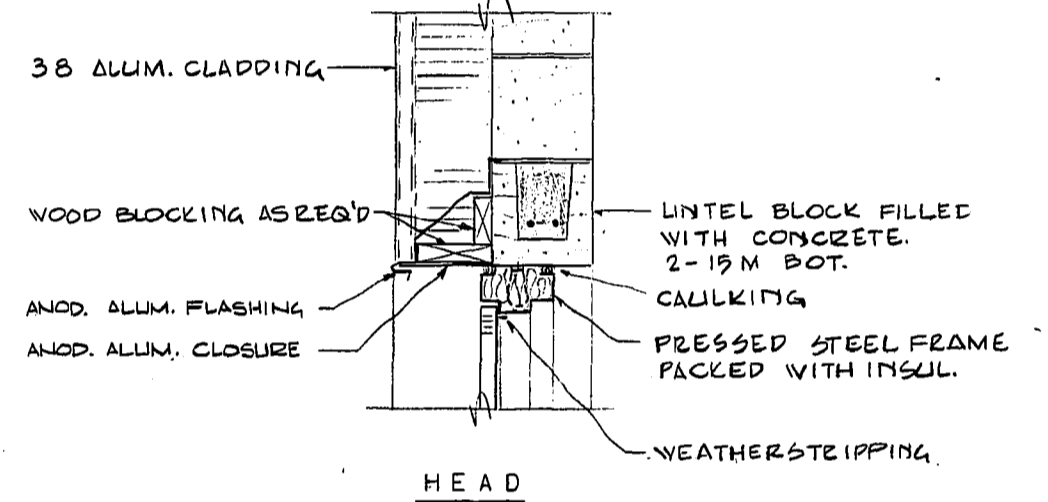
**5 DETAIL**  
A301 304 1:20  
A302 303



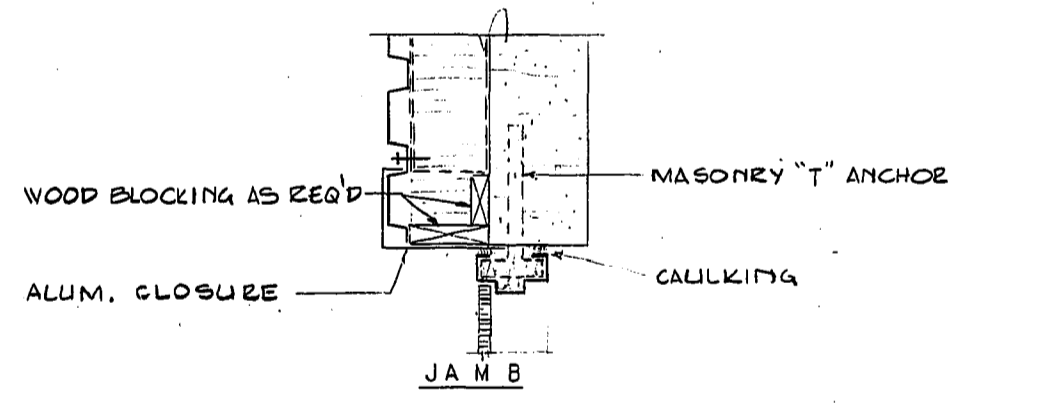
**6 SECTION**  
5307 A304 1:20  
5308 A301



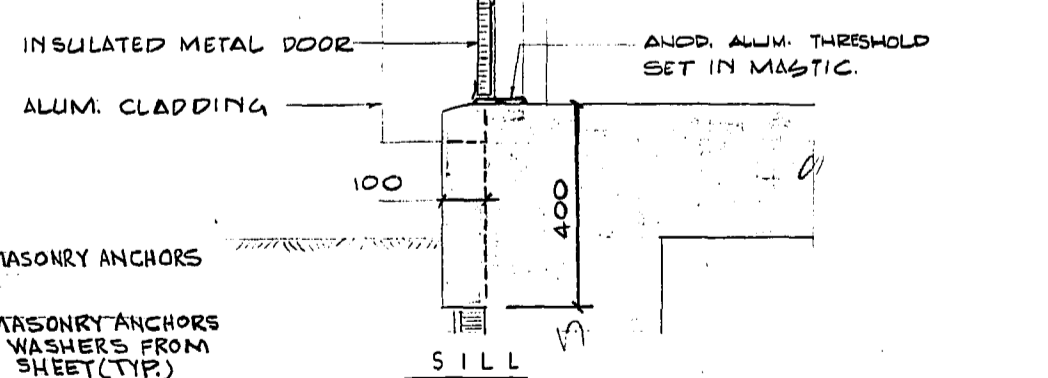
**7 SECTION**  
A302 304 1:20  
303



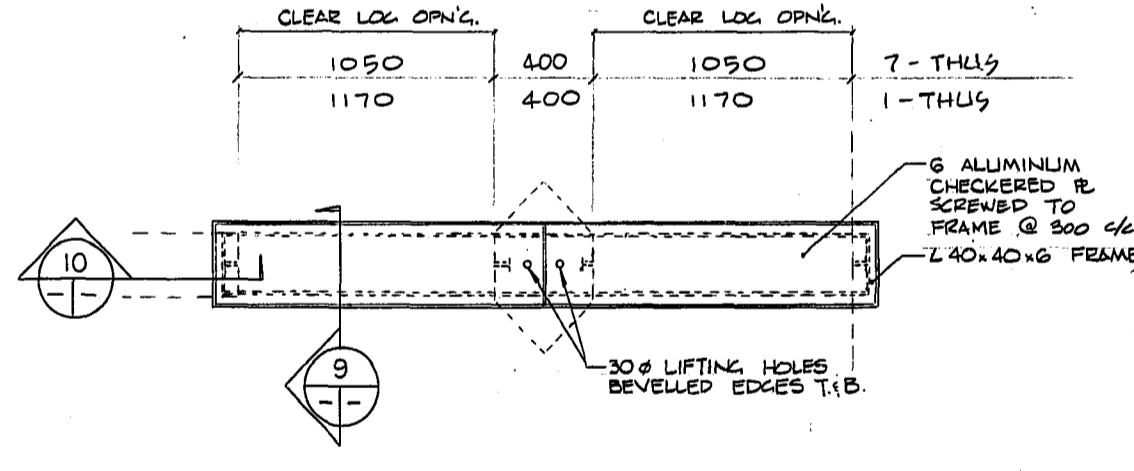
**HEAD**



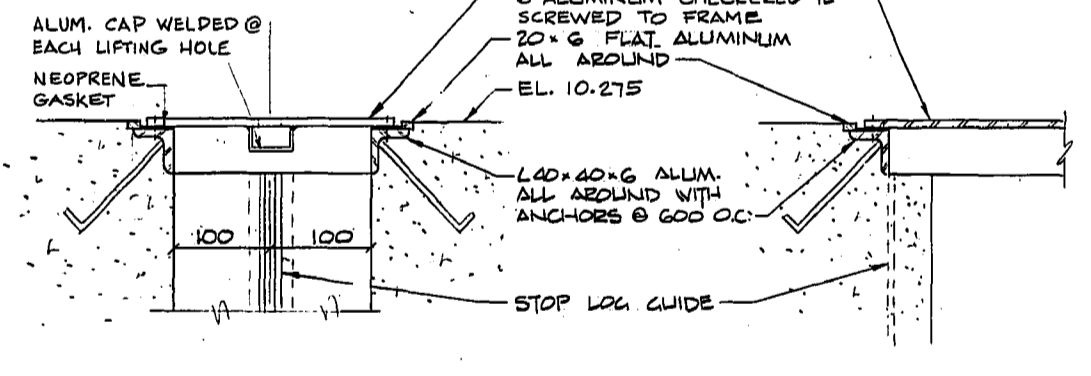
**JAMB**



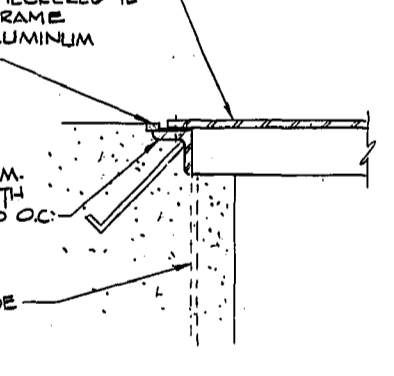
**11 EXTERIOR DOOR DETAILS**  
1:10



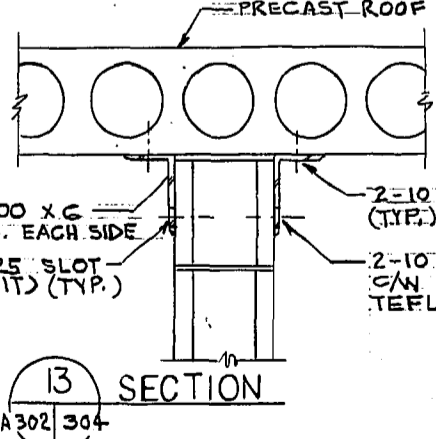
**8 PLAN-ALUMINUM COVER & FRAME**  
A301 304 STOP LOG ACCESS HATCH (JUNCTION CHAMBER BLDG.)  
1:20



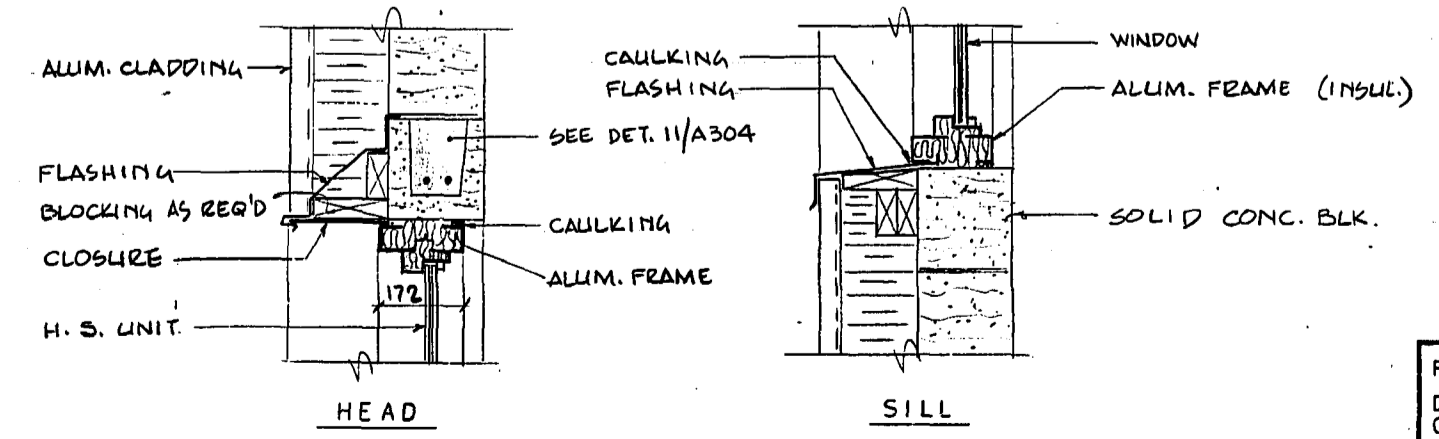
**9 SECTION**  
1:5



**10 SECTION**  
1:5



**13 SECTION**  
A302 304



**12 WINDOW DETAILS**  
1:10

SHOP DRAWING REFERENCE		
DESCRIPTION	SUPPLIER	NUMBER
Aluminum Stop Logs, Covers, S.S. Baffle nose	Shopost Iron Works	2397
H.M. Doors & Frames	S.W. Fleming Ltd.	2426
Door Hardware	Winnipeg Paint & Glass	2427
Glazing - Reactor Building	Westmacott Glass	2428

REVISED AS CONSTRUCTED  
DATE JULY 1985 BY CA  
CHECKED BY CAIBIAN

**METRIC**  
WHOLE NUMBERS INDICATE MILLIMETRES  
DECIMALIZED NUMBERS INDICATE METRES

NO	REVISIONS	DATE	APP.
1	ISSUED FOR TENDER	82-10-04	
2	ISSUED FOR CLIENT REVIEW	82-10-15	
3	REVISED TO AS-BUILT	85-07-12	CA
4	ISSUED FOR APPENDIX #2	83-01-24	



W.L. WARDROP & ASSOCIATES LTD.  
MacLAREN ENGINEERS INC.

DESIGNED BY: \_\_\_\_\_ DRAWN BY: ts

CHECKED BY: \_\_\_\_\_ DATE: 82.10.08

APPROVED BY: M. MacLaren DATE: Dec 1982

**THE CITY OF WINNIPEG**  
WORKS & OPERATIONS DIVISION  
WATERWORKS, WASTE & DISPOSAL DEPARTMENT

NORTH END WATER POLLUTION CONTROL CENTRE  
SECONDARY TREATMENT EXPANSION  
OXYGEN REACTOR TANKS  
ARCHITECTURAL WALL ROOF EXTERIOR DOOR & STOP LOG COVER DETAILS  
RELEASED FOR CONSTRUCTION DATE: 12/11/82  
SCALE: AS SHOWN DRAWING NO.: NEP 1076