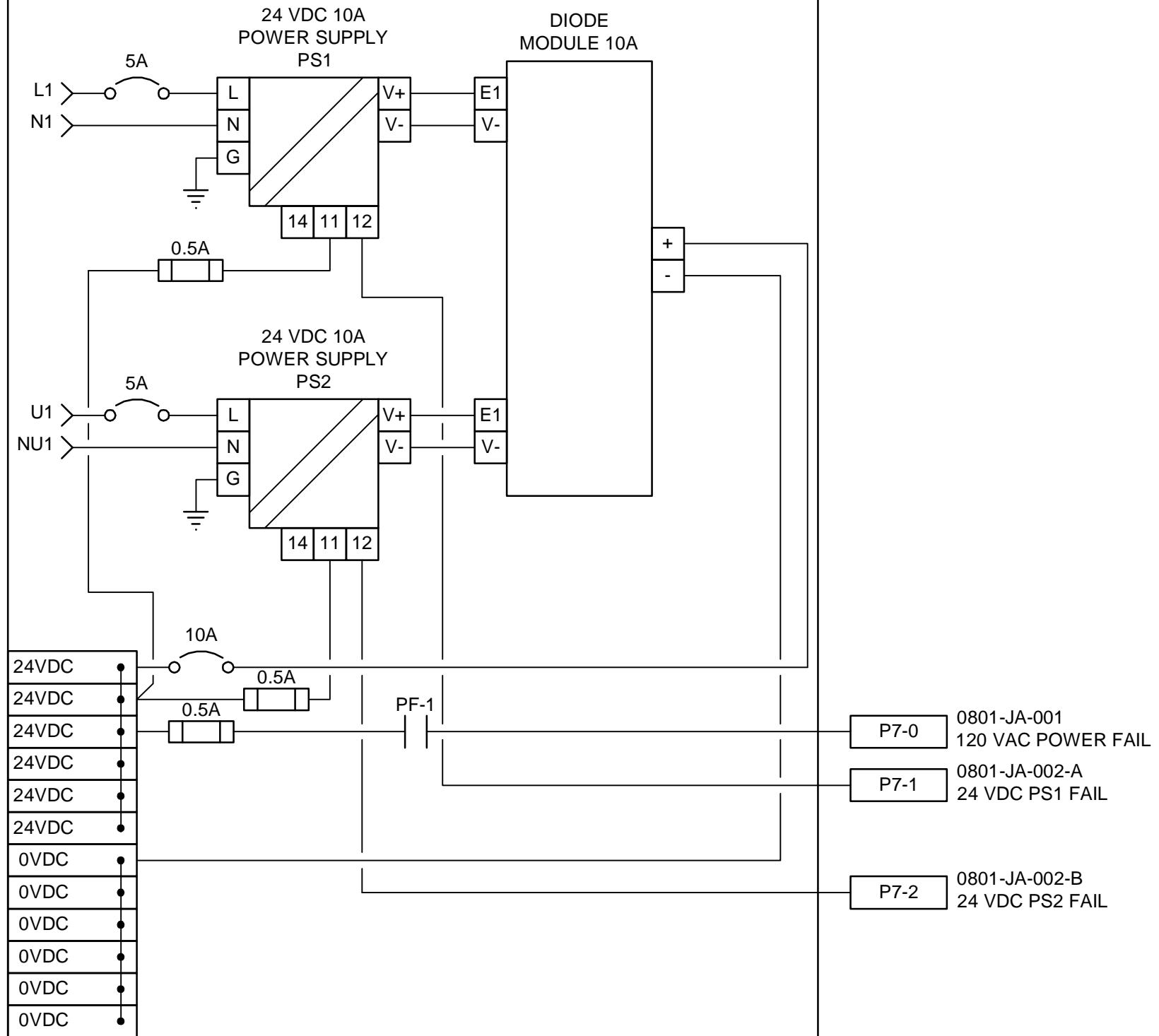


FIELD

CONTROL PANEL

SCADAPACK 357E 5606 I/O BOARD 350 CPU




- P7-0 0801-JA-001
120 VAC POWER FAIL
- P7-1 0801-JA-002-A
24 VDC PS1 FAIL
- P7-2 0801-JA-002-B
24 VDC PS2 FAIL

File Name: c:\project\working directory\active\40\call\0713845175009-13-chevrier-loops.dwg

NO.	REVISION	DATE	BY
1	ISSUED FOR BIP OP 103-2019	04/15/19	B.L.M.
0	ISSUED FOR 90% REVIEW	03/07/19	C.A.L.


DILLON
 CONSULTING
 DATE: 17/07/06 PROJECT No. 175009


THE CITY OF WINNIPEG
 WATER AND WASTE DEPARTMENT
 ENGINEERING DIVISION

DESIGNED BY	CHECKED BY
B.L.M.	B.L.M.
DRAWN BY	APPROVED BY
S.C.K.	

2019 REHABILITATION OF PUBLIC WATER SERVICE
 OUTLET PAVEMENT WORKS, BUILDING REPAIRS,
 AND ELECTRICAL UPGRADES
**CHEVRIER BLVD. 24 VDC POWER
 LOOP DIAGRAM**

SHEET 13 OF 20
CITY DRAWING NUMBER
D-14922