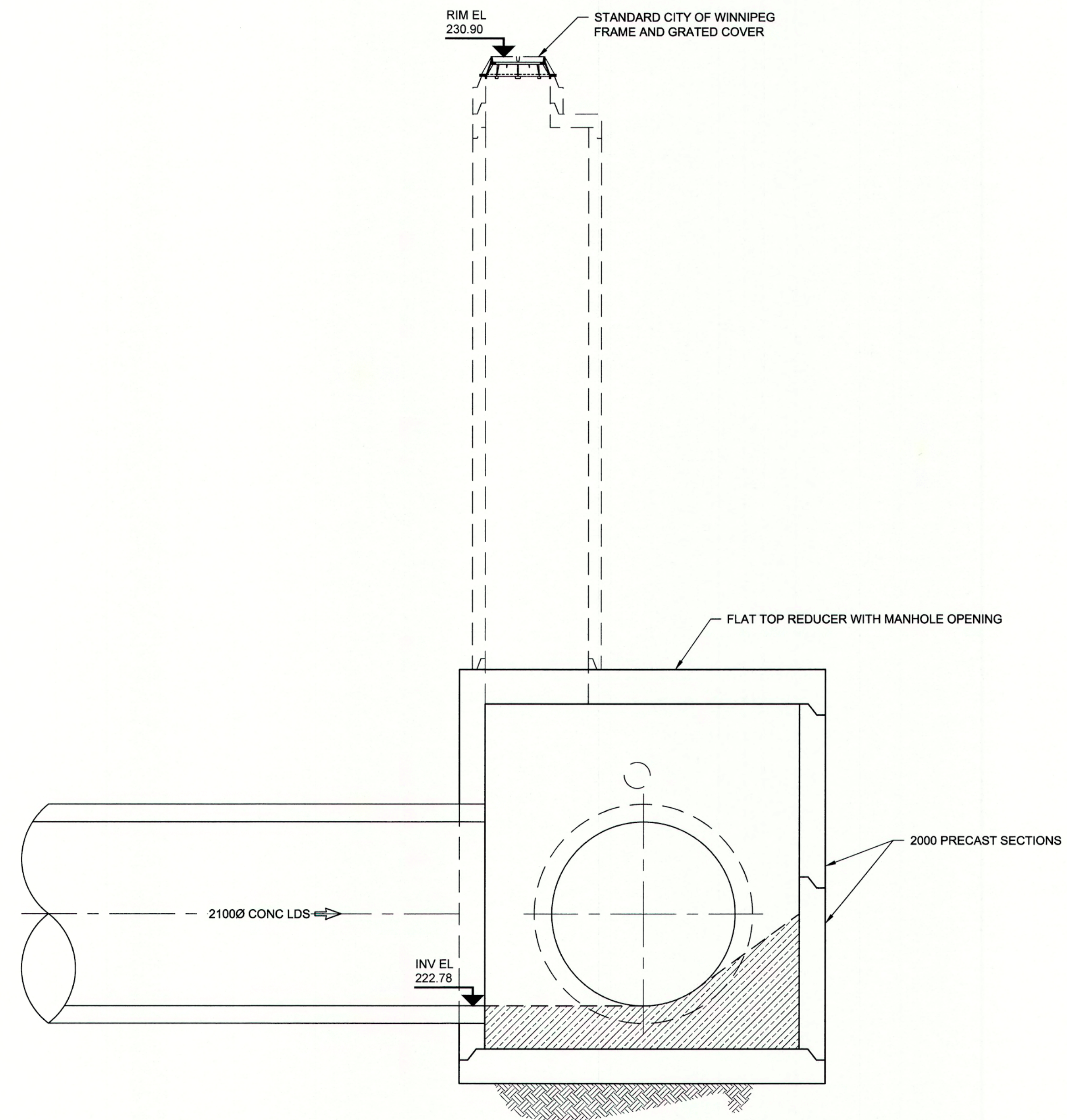


PLAN
C-1009
C-1023
0 1000 2000 mm
1:40



A SECTION
0 1000 2000 mm
1:40

ES ENGINEERS
GEOSCIENTISTS
MANITOBA
Certificate of Authorization
AECOM Canada Ltd.
No. 4671 Date: Dec 23, 2019

LOCATION APPROVED UNDERGROUND STRUCTURES		B.M. ELEV.
SUPV. U/G STRUCTURES COMMITTEE	DATE	
NOTE: LOCATION OF UNDERGROUND STRUCTURES AS SHOWN ARE BASED ON THE BEST INFORMATION AVAILABLE BUT NO GUARANTEE IS GIVEN THAT ALL EXISTING UTILITIES ARE SHOWN OR THAT THE GIVEN LOCATIONS ARE EXACT. CONFIRMATION OF EXISTENCE AND EXACT LOCATION OF ALL SERVICES MUST BE OBTAINED FROM THE INDIVIDUAL UTILITIES BEFORE PROCEEDING WITH CONSTRUCTION.		
0	ISSUED FOR CONSTRUCTION	19/12/23 ADL
NO.	REVISIONS	DATE BY

AECOM	
DESIGNED BY JAT	CHECKED BY MVL
DRAWN BY ADL	APPROVED BY <i>[Signature]</i>
SCALE: HORIZONTAL AS NOTED VERTICAL AS NOTED	RELEASED FOR CONSTRUCTION <i>[Signature]</i>
DATE 2019 12 20	DATE <i>[Signature]</i>
PLOT DATE: 2019 12 20	

ENGINEER'S SEAL
PROVINCE OF MANITOBA
J.A. THOMPSON
Member
30632
REGISTERED PROFESSIONAL ENGINEER
CONSULTANT DRAWING NUMBER
C-4001

THE CITY OF WINNIPEG
WATER AND WASTE DEPARTMENT
ENGINEERING DIVISION

**JEFFERSON EAST COMBINED SEWER RELIEF
CONTRACT 5 - SEMPLE TRUNK SEWER
MANHOLE CHAMBER**
SCOTIA STREET AT
SEMPLA AVENUE

SHEET 27 OF 30
CITY DRAWING NUMBER
LD-9619