

AI SIZE - 594mm x 841mm

LEGEND:

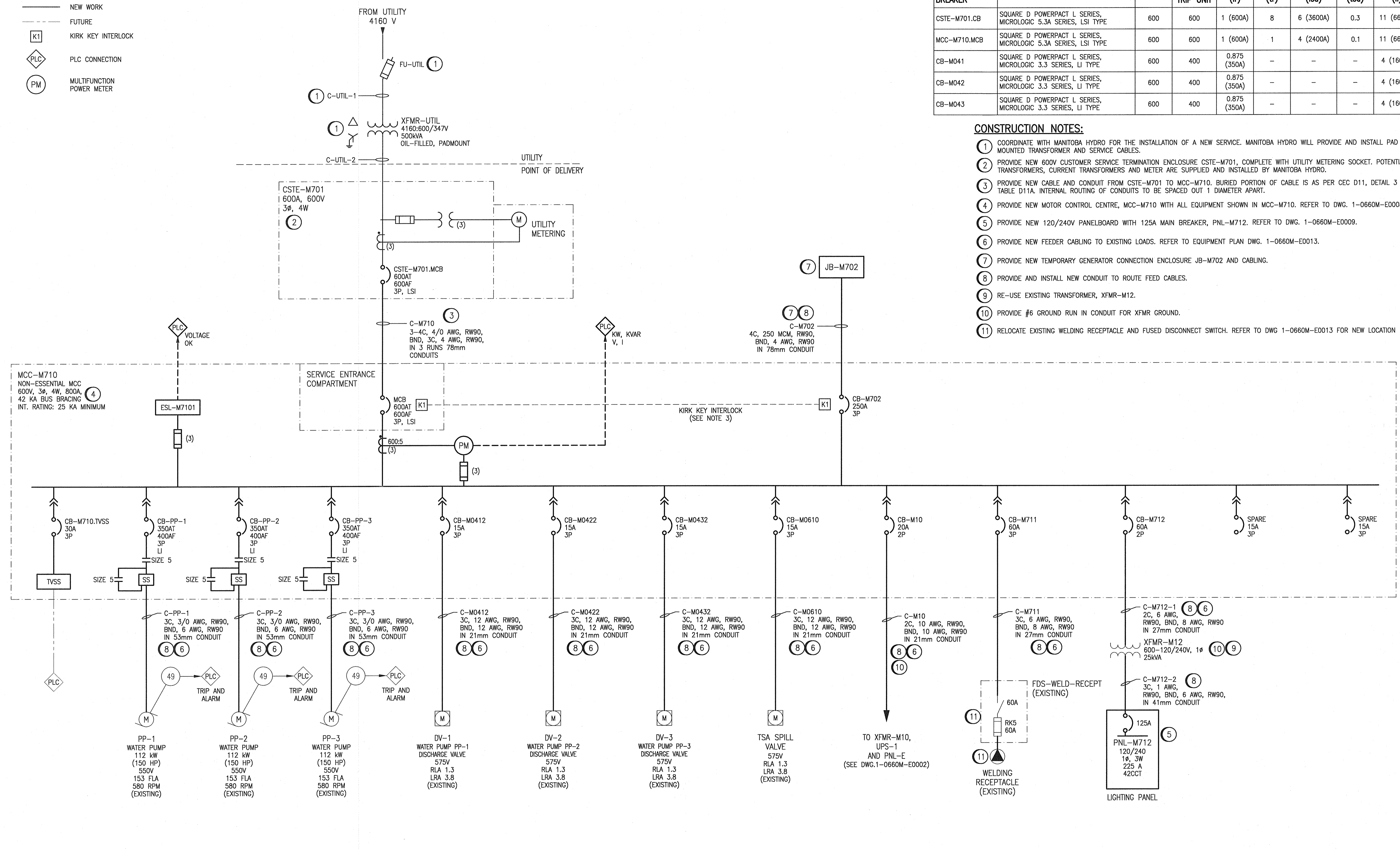
- EXISTING
- NEW WORK
- FUTURE
- K1 KIRK KEY INTERLOCK
- PLC CONNECTION
- PM MULTIFUNCTION POWER METER

BREAKER PROTECTION SETTINGS

CIRCUIT BREAKER	MODEL	FRAME	SENSOR/TRIP UNIT	LTPU (lr)	LTD (tr)	STPU (lsd)	STD (tsd)	INST (ti)
CSTE-M701.CB	SQUARE D POWERPACT L SERIES, MICROLOGIC 5.3A SERIES, LSI TYPE	600	600	1 (600A)	8	6 (3600A)	0.3	11 (6600A)
MCC-M710.MCB	SQUARE D POWERPACT L SERIES, MICROLOGIC 5.3A SERIES, LSI TYPE	600	600	1 (600A)	1	4 (2400A)	0.1	11 (6600A)
CB-M041	SQUARE D POWERPACT L SERIES, MICROLOGIC 3.3 SERIES, LI TYPE	600	400	0.875 (350A)	-	-	-	4 (1600A)
CB-M042	SQUARE D POWERPACT L SERIES, MICROLOGIC 3.3 SERIES, LI TYPE	600	400	0.875 (350A)	-	-	-	4 (1600A)
CB-M043	SQUARE D POWERPACT L SERIES, MICROLOGIC 3.3 SERIES, LI TYPE	600	400	0.875 (350A)	-	-	-	4 (1600A)

CONSTRUCTION NOTES:

- COORDINATE WITH MANITOBA HYDRO FOR THE INSTALLATION OF A NEW SERVICE. MANITOBA HYDRO WILL PROVIDE AND INSTALL PAD MOUNTED TRANSFORMER AND SERVICE CABLES.
- PROVIDE NEW 600V CUSTOMER SERVICE TERMINATION ENCLOSURE CSTE-M701, COMPLETE WITH UTILITY METERING SOCKET. POTENTIAL TRANSFORMERS, CURRENT TRANSFORMERS AND METER ARE SUPPLIED AND INSTALLED BY MANITOBA HYDRO.
- PROVIDE NEW CABLE AND CONDUIT FROM CSTE-M701 TO MCC-M710. BURIED PORTION OF CABLE IS AS PER CEC D11, DETAIL 3 AND TABLE D11A. INTERNAL ROUTING OF CONDUITS TO BE SPACED OUT 1 DIAMETER APART.
- PROVIDE NEW MOTOR CONTROL CENTRE, MCC-M710 WITH ALL EQUIPMENT SHOWN IN MCC-M710. REFER TO DWG. 1-0660M-E0008.
- PROVIDE NEW 120/240V PANELBOARD WITH 125A MAIN BREAKER, PNL-M712. REFER TO DWG. 1-0660M-E0009.
- PROVIDE NEW FEEDER CABLING TO EXISTING LOADS. REFER TO EQUIPMENT PLAN DWG. 1-0660M-E0013.
- PROVIDE NEW TEMPORARY GENERATOR CONNECTION ENCLOSURE JB-M702 AND CABLING.
- PROVIDE AND INSTALL NEW CONDUIT TO ROUTE FEED CABLES.
- RE-USE EXISTING TRANSFORMER, XFMR-M12.
- PROVIDE #6 GROUND RUN IN CONDUIT FOR XFMR GROUND.
- RELOCATE EXISTING WELDING RECEPTACLE AND FUSED DISCONNECT SWITCH. REFER TO DWG 1-0660M-E0013 FOR NEW LOCATION



NOTES:

- ALL EQUIPMENT SHOWN ON THIS DRAWING ARE NEW AND SHALL BE PROVIDED BY THE CONTRACTOR UNLESS SPECIFIED AS EXISTING.
- REFER TO SPECIFICATION 26 05 34 FOR CONDUIT TYPE.
- FOR THE KIRK KEY INTERLOCK, MCC-M710.MCB (MAIN) BREAKER IS REQUIRED TO BE INTERLOCKED WITH CB-M702 (GENERATOR) BREAKER TO PREVENT PARALLELING OF SOURCES. THE KIRK KEY IS REQUIRED TO CLOSE EITHER MCC-M710.MCB (MAIN) BREAKER OR CB-M702 (GENERATOR) BREAKER. ONCE A KEY IS INSIDE THE KEY LOCK AND THE CORRESPONDING BREAKER IS CLOSED, THE KIRK KEY IS LOCKED INTO POSITION UNTIL THE BREAKER IS OPENED.
- PAD MOUNTED SERVICE TRANSFORMER XFMR-UTIL TO BE TAPPED DOWN TO 585V ON THE SECONDARY DUE TO 550V MOTOR LOADS.



NO.	REVISIONS	DATE	DESIGN	CHECK
01	ISSUED FOR ADDENDUM 5	2020/01/27	VE	VE
00	ISSUED FOR TENDER AND CONSTRUCTION	2019/10/18	SB	BC

SNC-LAVALIN
 140 Nations Park Way
 Winnipeg, MB, Canada R3P 0X7
 204-786-8080

DESIGNED BY: S. BOGHOSIAN
 CHECKED BY: B. CLEVEN
 DRAWN BY: J. GRAGASIN
 APPROVED BY: D. BECKER
 SCALE: NTS
 ISSUED FOR CONSTRUCTION BY: A. WEISS
 DATE: 2019/01/18
 DATE: 2019/10/18



THE CITY OF WINNIPEG
 WATER AND WASTE DEPARTMENT

TACHE BOOSTER PUMPING STATION

ELECTRICAL SINGLE LINE DIAGRAM
 MCC-M710

CITY DRAWING NUMBER: 1-0660M-E0007
 SHEET: 001
 REV: 01
 SIZE: A1

LAST SAVE: 2020/01/27 - 7:48pm
 PATH: M:\66172\GEN\VELELD - General DWG\02 - Tache\1-0660M-E0007-001-01.dwg