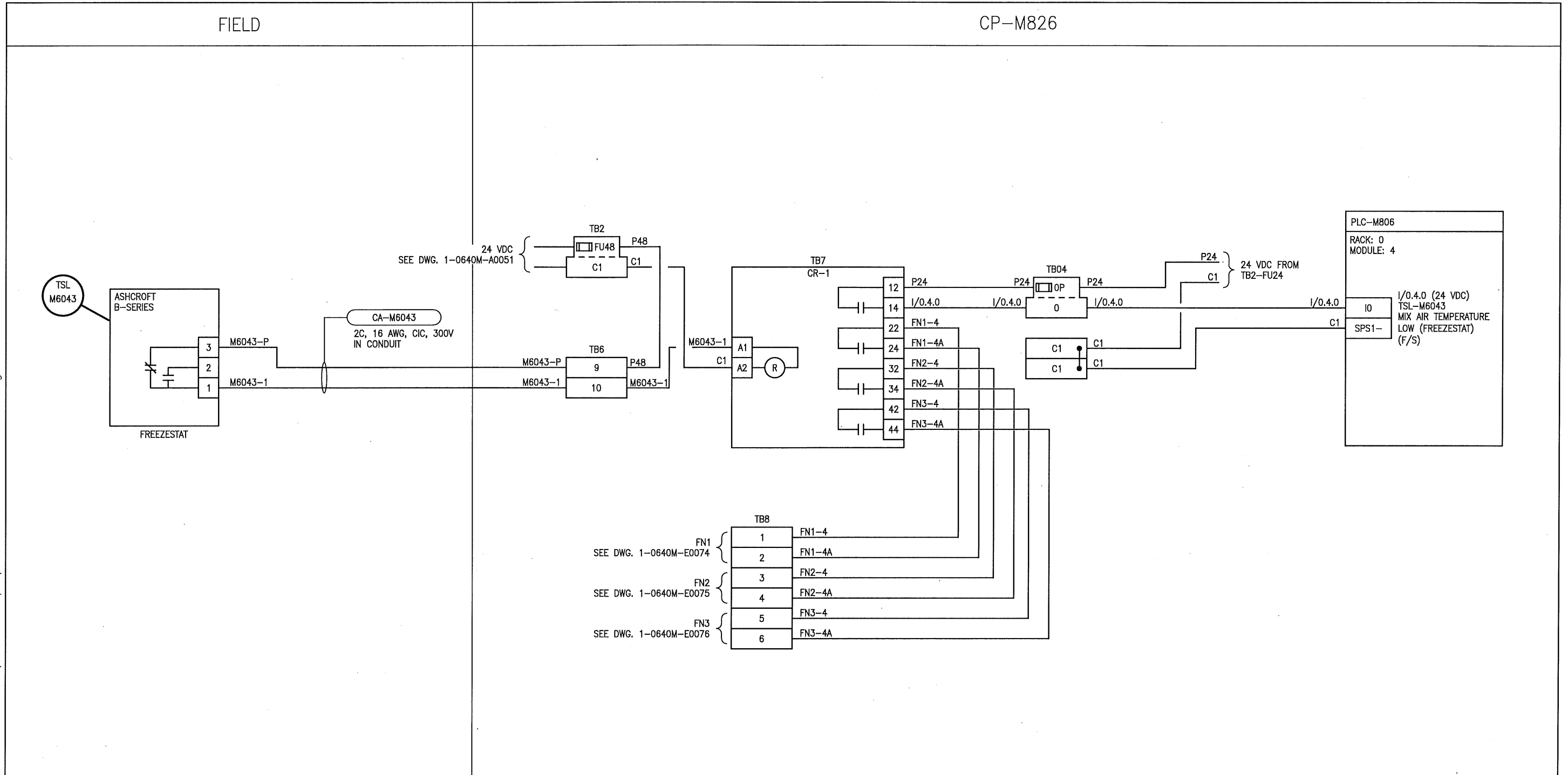


B SIZE - 279mm x 432mm

General DWG\01 McPhillips\1-0640M-A0069-001-00.dwg

LAST SAVE: 2019/10/30 - 9:47am
 PATH: M:\661472\4ENG\48IC\DD -



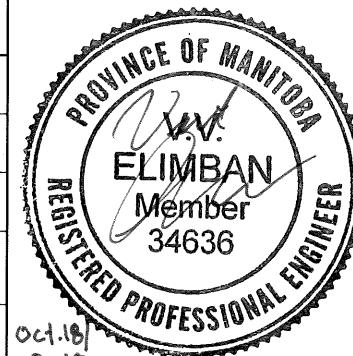
NOTES

- ASSOCIATED REFERENCE DRAWINGS:
 1-0640M-A0048
 1-0640M-A0053
 1-0640M-E0074
 1-0640M-E0075
 1-0640M-E0076
 1-0640M-P0013



SNC-LAVALIN INC.
 148 Nature Park Way
 Winnipeg, MB, Canada R3P 0X7
 204-786-8080

ENGINEER'S SEAL



THE CITY OF WINNIPEG
 WATER AND WASTE DEPARTMENT

MCPHILLIPS PUMPING STATION

LOOP DIAGRAM
 TSL-M6043
 MIX AIR (FREEZESTAT) TEMPERATURE SWITCH

NO.	REVISIONS	DATE	DESIGN	CHECK
00	ISSUED FOR TENDER AND CONSTRUCTION	2019/10/18	SB	BC

DESIGNED BY: S. BOGHOSIAN
 CHECKED BY: B. CLEVEN
 DRAWN BY: C. DUBON
 APPROVED BY: D. BECKER
 SCALE: NTS
 DATE: 2019/05/30
 ISSUED FOR CONSTRUCTION
 BY: A. WEISS
 DATE: 2019/10/18
 CONSULTANT NO.:

Oct 18 / 2019

CITY DRAWING NUMBER	SHEET	REV.	SIZE
1-0640M-A0069	001	00	B