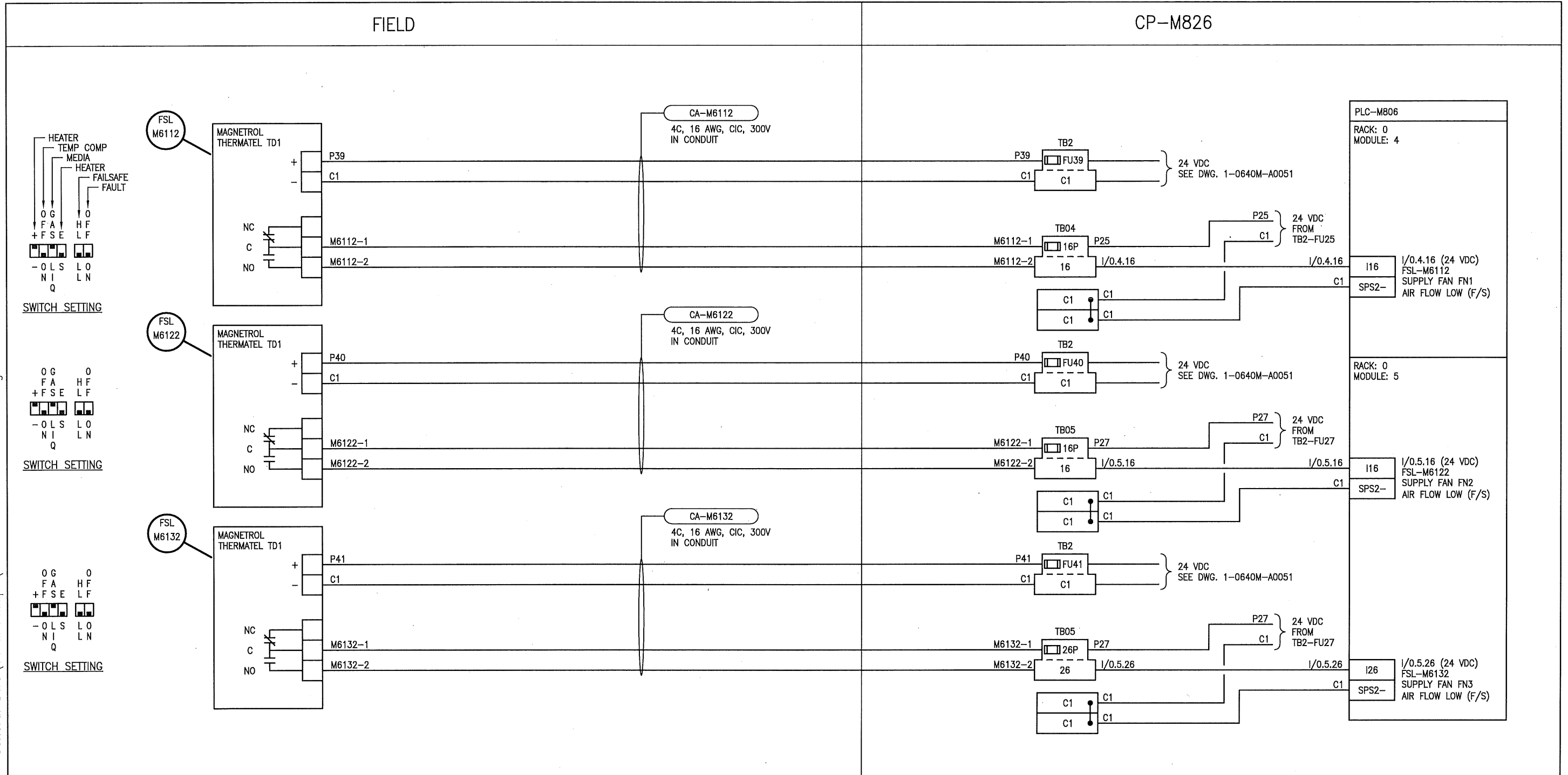


B SIZE - 279mm x 432mm

LAST SAVE: 2019/10/30 - 9:47am
 PATH: M:\661472\4ENG\48IC\DD - General DWG\01 McPhillips\1-0640M-A0072-001-00.dwg



NOTES

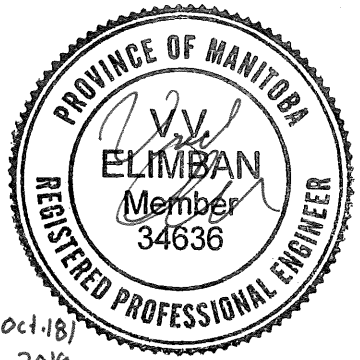
ASSOCIATED REFERENCE DRAWINGS:
 1-0640M-A0048
 1-0640M-A0051
 1-0640M-A0053
 1-0640M-A0054
 1-0640M-P0013



SNC-LAVALIN INC.
 148 Nature Park Way
 Winnipeg, MB, Canada R3P 0X7
 204-786-8080

DESIGNED BY: S. BOGHOSIAN	CHECKED BY: B. CLEVEN
DRAWN BY: C. DUBON	APPROVED BY: D. BECKER
SCALE: NTS	DATE: 2019/06/20
ISSUED FOR CONSTRUCTION	
BY: A. WEISS	DATE: 2019/10/18
CONSULTANT NO.:	

ENGINEER'S SEAL



MCPHILLIPS PUMPING STATION
 LOOP DIAGRAM
 FSL-M6112, FSL-M6122, AND FSL-M6132
 SUPPLY FANS FN1, FN2, FN3 AIR FLOW SWITCH

00	ISSUED FOR TENDER AND CONSTRUCTION	2019/10/18	SB	BC
NO.	REVISIONS	DATE	DESIGN	CHECK

CITY DRAWING NUMBER 1-0640M-A0072	SHEET 001	REV. 00	SIZE B
--------------------------------------	--------------	------------	-----------