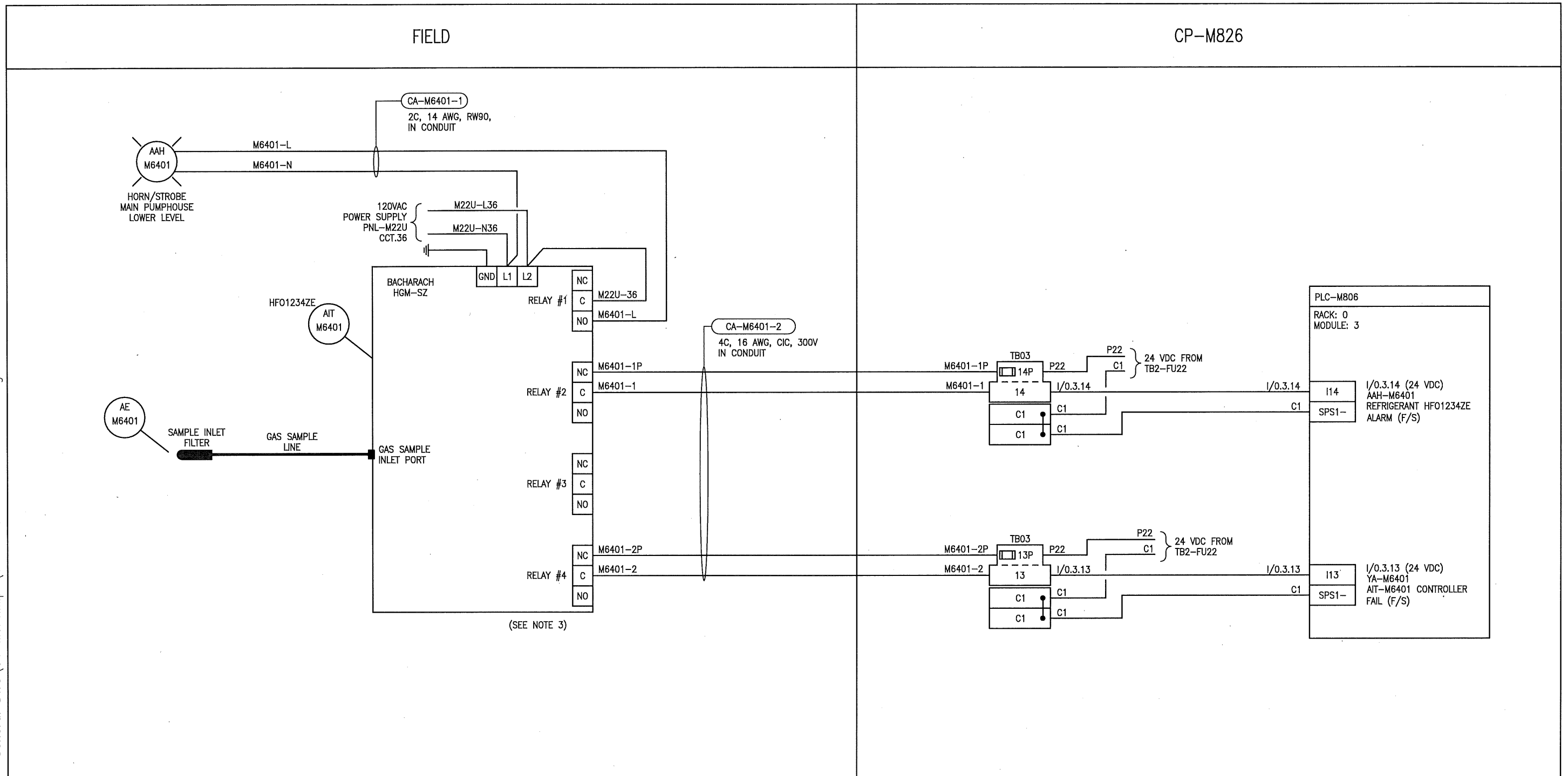


B SIZE - 279mm x 432mm

General DWG\01 McPhillips\1-0640M-A0076-001-00.dwg

LAST SAVE: 2019/10/30 - 9:47am
 PATH: M:\661472\4ENG\48IC\DD -



NOTES:

- REFER TO MANUFACTURER'S SHOP DRAWINGS FOR COMPLETE WIRING DETAILS. VERIFY ALL WIRING DETAILS WITH MANUFACTURER.
- ELECTRICAL CONTRACTOR TO PROVIDE ANY ADDITIONAL DEVICES NEEDED TO COMPLETE SYSTEM DESIGN.
- SET RELAY #1 TO ENERGIZE AT 300ppm
- SET RELAY #2 TO ENERGIZE AT 500ppm.
-

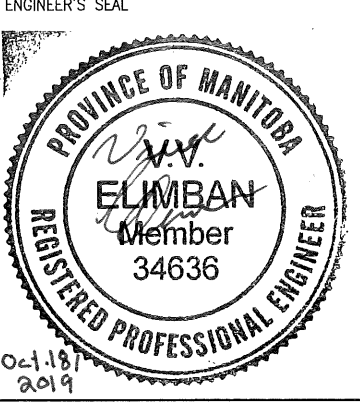
ASSOCIATED REFERENCE DRAWINGS:
 1-0640M-A0049
 1-0640M-A0052

APEGM
 Certificate of Authorization
 SNC-Lavalin Inc.
 No. 4489

00	ISSUED FOR TENDER AND CONSTRUCTION	2019/10/18	VE	BC
NO.	REVISIONS	DATE	DESIGN	CHECK

SNC-LAVALIN INC.
 148 Nature Park Way
 Winnipeg, MB, Canada R3P 0X7
 204-786-8080

DESIGNED BY: V. ELIMBAN	CHECKED BY: B. CLEVEN
DRAWN BY: J. GRAGASIN	APPROVED BY: D. BECKER
SCALE: N.T.S.	DATE: 2019/07/04
ISSUED FOR CONSTRUCTION	DATE: 2019/10/18
BY: A. WEISS	
CONSULTANT NO.:	



THE CITY OF WINNIPEG
 WATER AND WASTE DEPARTMENT

MCPHILLIPS PUMPING STATION

LOOP DIAGRAM
 AIT-M6401
 CHILLER LEAK DETECTION

CITY DRAWING NUMBER	SHEET	REV.	SIZE
1-0640M-A0076	001	00	B