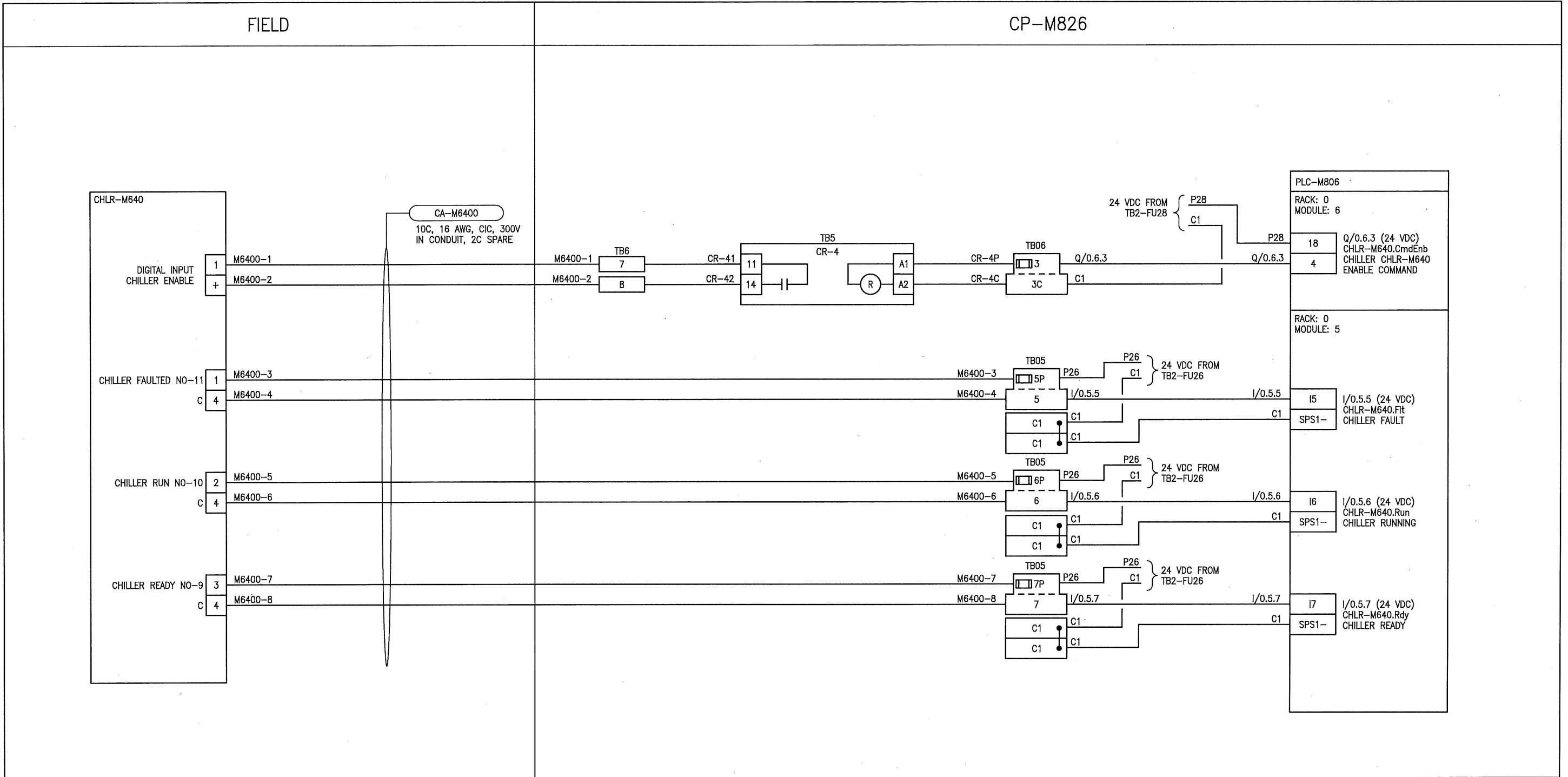


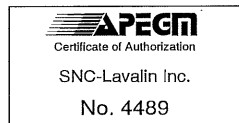
B SIZE - 279mm x 432mm

General DWG\01 McPhillips\1-0640M-A0083-001-00.dwg

LAST SAVE: 2019/10/30 - 9:48am
 PATH: M:\661472\4ENG\48IC\DD -



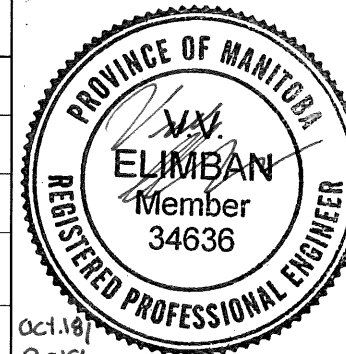
NOTES



SNC-LAVALIN INC.
 148 Nature Park Way
 Winnipeg, MB, Canada R3P 0X7
 204-786-8080

DESIGNED BY: S. BOGHOSIAN	CHECKED BY: B. CLEVEN
DRAWN BY: C. DUBON	APPROVED BY: D. BECKER
SCALE: NTS	DATE: 2019/06/21
ISSUED FOR CONSTRUCTION	
BY: A. WEISS	DATE: 2019/10/18
CONSULTANT NO.:	

ENGINEER'S SEAL



THE CITY OF WINNIPEG
 WATER AND WASTE DEPARTMENT

MCPHILLIPS PUMPING STATION

LOOP DIAGRAM
 CHILLER CHLR-M640

NO.	REVISIONS	DATE	DESIGN	CHECK
00	ISSUED FOR TENDER AND CONSTRUCTION	2019/10/18	SB	BC

CITY DRAWING NUMBER 1-0640M-A0083	SHEET 001	REV. 00	SIZE B
--------------------------------------	--------------	------------	-----------