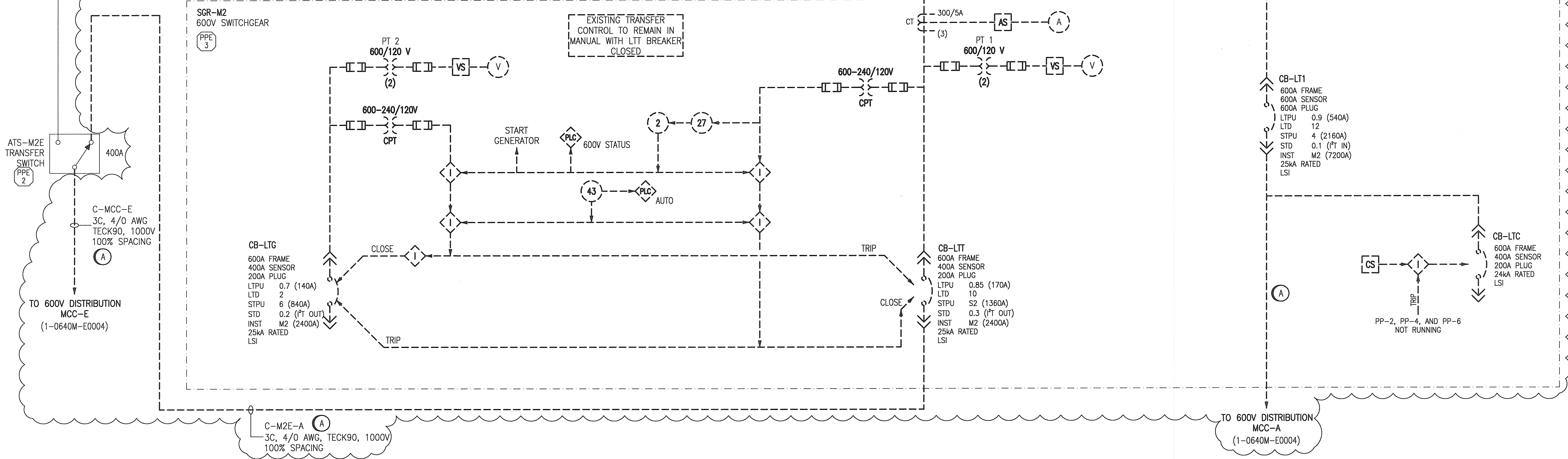


SUPERSEDED BY DRAWING
1-0640B-E0007

LEGEND:



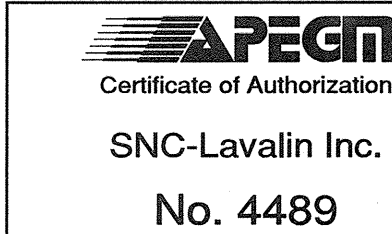
DEMOLITION NOTES:



NOTES:

- THIS DRAWING SUPERSEDES PART OF DRAWING Q-MCP-191.
- THIS DRAWING CONTAINS INFORMATION FROM EXISTING CITY OF WINNIPEG DOCUMENTATION.
- THIS DRAWING IS SUPERCEDED BY DRAWING 1-0640B-E0007.
- CLOUDED PORTIONS OF THIS DRAWING INDICATE WORK TO BE COMPLETED. EITHER REMOVALS OF ADDITION AS INDICATED. REFER TO DEMOLITION AND CONSTRUCTION NOTES.

1-0640M-E0007	ELECTRICAL SINGLE LINE DIAGRAM, 600V GENERATORS AND SWITCHGEAR
1-0640M-E0002	ELECTRICAL SINGLE LINE DIAGRAM, 4160V DISTRIBUTION
1-0640M-E0001	ELECTRICAL SINGLE LINE DIAGRAM LEGEND & DETAILS
DRAWING NUMBER	REFERENCE DRAWINGS



NO.	REVISIONS	DATE	DESIGN	CHECK
05	ISSUED FOR TENDER AND CONSTRUCTION	2019/10/18	VE	KS
04	ADDED ATS-M2E	2013/04/08	BJC	CJR
03	AS-BUILT - MODIFIED 600V SWITCHGEAR CONTROLS	2012/01/10	-	BJC
02	ISSUED FOR CITY USE	2011/11/01	BC	CJR
01	REVISED DRAWING NUMBER	2008/02/13	AEO	-
00	ISSUED FOR CITY USE	2007/08/28	YM	-

SNC-LAVALIN INC.
148 Nature Park Way
Winnipeg, MB, Canada R2P 0X7
204-786-9000

DESIGNED BY: EXISTING
DRAWN BY: DEB
SCALE: NTS
DATE: 2005/10/25
CONSULTANT NO.: 113099-0000-47DD-0203

CHECKED BY: C. REIMER
APPROVED BY: C. REIMER
ISSUED FOR CONSTRUCTION BY: A. WEISS
DATE: 2019/10/18

ENGINEER'S SEAL

oc 1.18/
2019

THE CITY OF WINNIPEG
WATER AND WASTE DEPARTMENT

MCPHILLIPS PUMPING STATION

ELECTRICAL SINGLE LINE DIAGRAM
600V GENERATORS AND SWITCHGEAR

CITY DRAWING NUMBER: 1-0640M-E0003
SHEET: 001
REV: 05
SIZE: A1