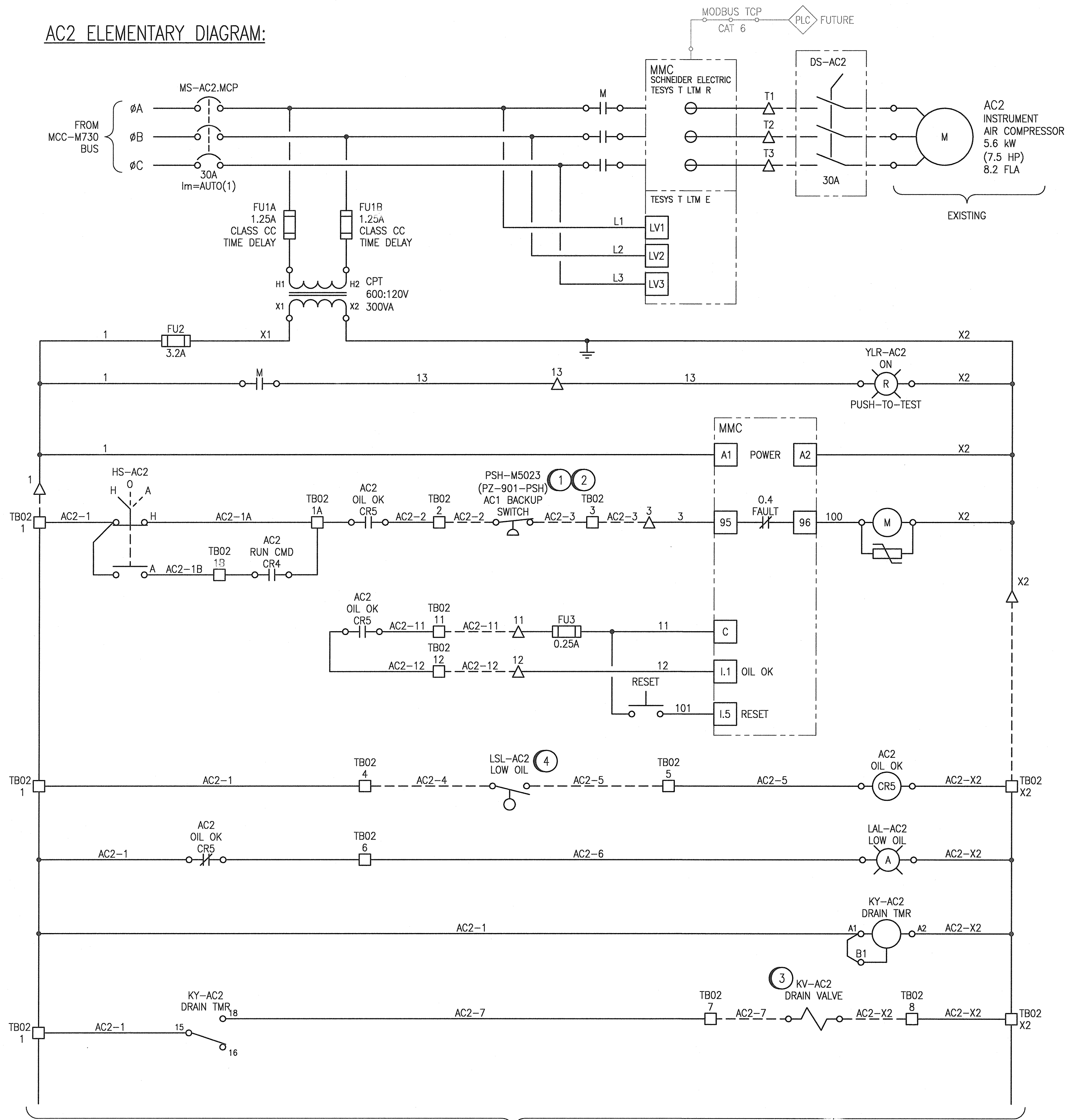
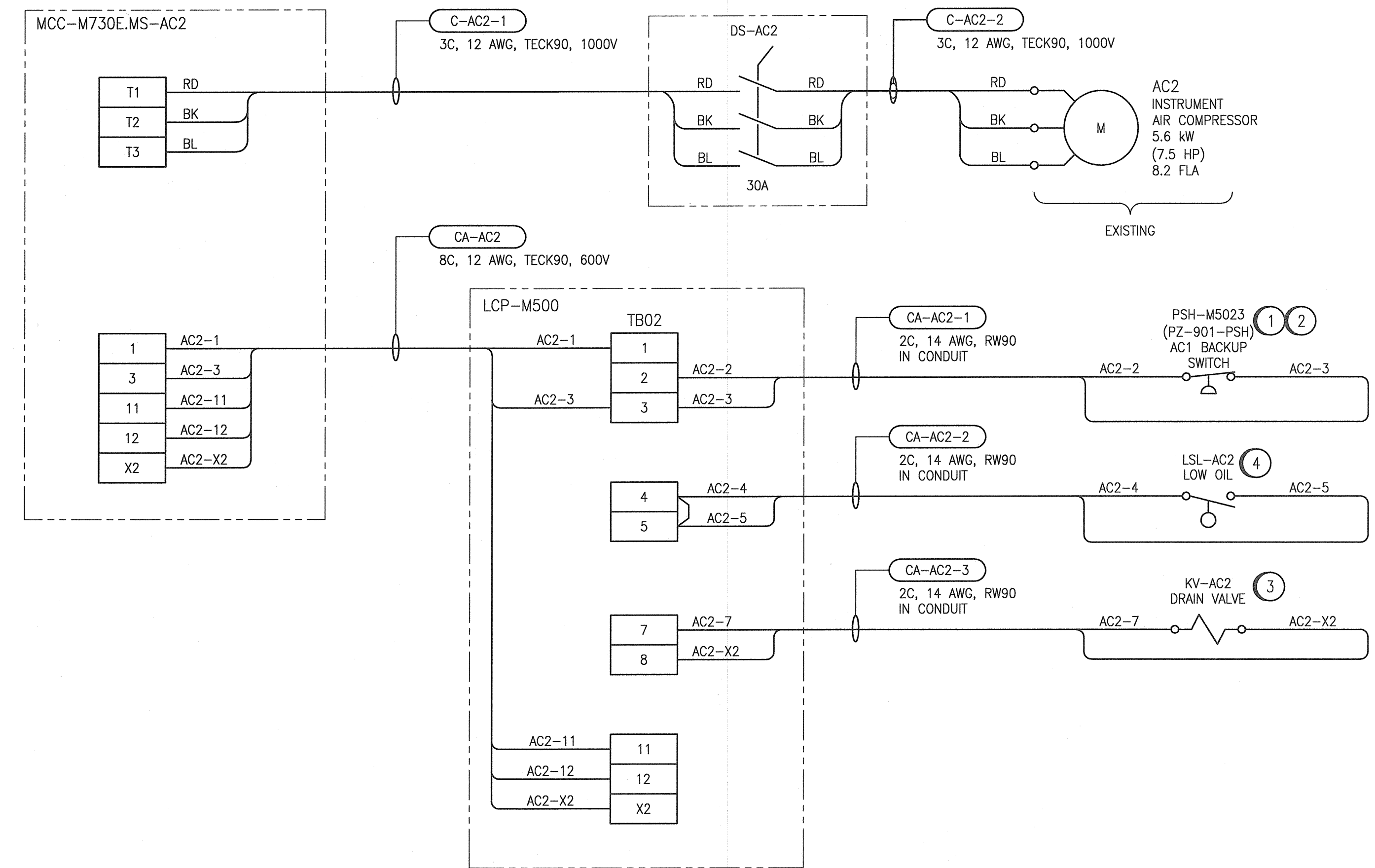


AC2 ELEMENTARY DIAGRAM:



SEE DRAWING 1-0640M-E0072

AC2 FIELD CONNECTION DIAGRAM:



**ELEMENTARY DIAGRAM LEGEND:**

- INTERNAL WIRING
- - - FIELD (EXTERNAL) WIRING
- FUTURE
- △ TERMINAL IN MOTOR STARTER COMPARTMENT
- TERMINAL IN LCP-M500
- (R) INDICATING LIGHT, R = RED  
○(A) = AMBER
- (M) CONTACTOR COIL
- ⎓ TRANSIENT VOLTAGE SUPPRESSOR

CONSTRUCTION NOTES:

- 1 REPLACE PRESSURE SWITCH WITH NEW PRESSURE SWITCH COMPLETE WITH FORM C AUXILIARY CONTACTS. CONTACTS SHALL BE RATED FOR 120 VAC.
- 2 SET PRESSURE SWITCH PSH-M5023 ACCORDING TO EXISTING CONTROLS DOCUMENT SETTINGS.
- 3 REPLACE THE EXISTING DRAIN VALVE WITH A NEW SOLENOID VALVE KV-AC2. COIL SHALL BE RATED FOR 120 VAC.
- 4 PROVIDE NEW LOW OIL SWITCH.

GENERAL NOTES:

1. ALL EQUIPMENT AND CABLES ARE NEW AND ARE TO BE PROVIDED BY THE ELECTRICAL CONTRACTOR UNLESS SPECIFICALLY NOTED AS EXISTING OR AS SHOWN AS FUTURE.

LAST SAVE: 2019/10/30 - 11:55am  
PATH: M:\661472\ENGR\7ELE\DD - General DWG\1-0640M-E0073-001-00.dwg

1-0640M-A0035	PANEL LAYOUT, LCP-M500
1-0640M-E0072	MOTOR STARTER SCHEMATIC, AC1
1-0640M-E0037	MCC ELEVATION, MCC-M730E
1-0640M-E0036	SINGLE LINE DIAGRAM, MCC-M730E
DRAWING NUMBER	REFERENCE DRAWINGS



00	ISSUED FOR TENDER AND CONSTRUCTION	2019/10/18	VE	KS
NO.	REVISIONS	DATE	DESIGN	CHECK

DESIGNED BY: V. ELIMBAN	CHECKED BY: K. SAPIAK
DRAWN BY: V. ELIMBAN	APPROVED BY: D. BECKER
SCALE: NTS	ISSUED FOR CONSTRUCTION BY: A. WEISS
DATE: 2019/03/22	DATE: 2019/10/18
CONSULTANT NO.:	



THE CITY OF WINNIPEG WATER AND WASTE DEPARTMENT	
MCPHILLIPS PUMPING STATION ELECTRICAL AND HVAC UPGRADES, MCC REPLACEMENT MOTOR STARTER SCHEMATIC AC2 INSTRUMENT AIR COMPRESSOR	
CITY DRAWING NUMBER	SHEET REV. SIZE
1-0640M-E0073	001 00 A1