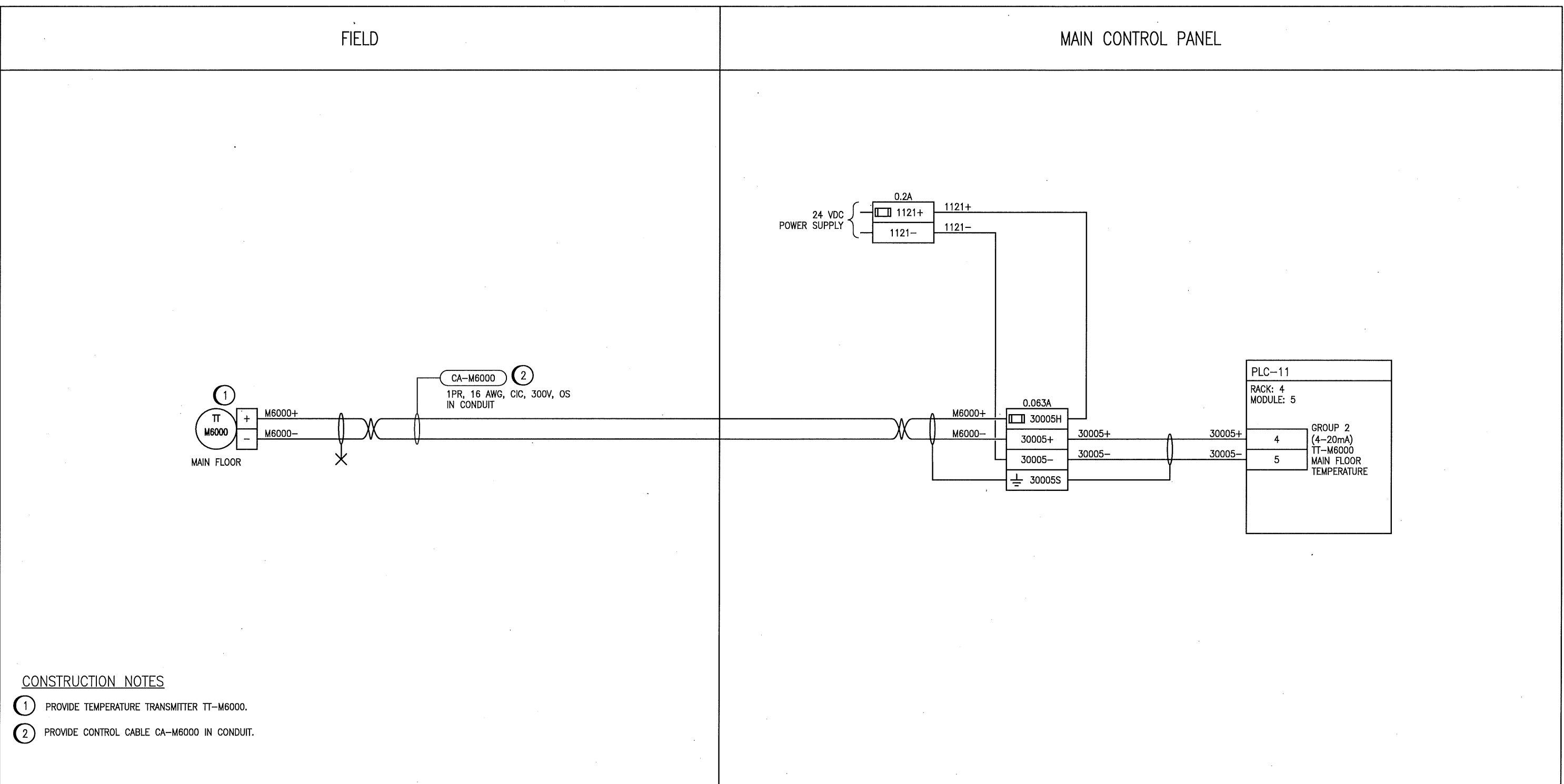


LAST SAVE: 2019/10/29 - 7:22am
 PATH: M:\661472\4ENG\48C\DD - General DWG\02 Tache\1-0660M-A0001-001-00.dwg
 B SIZE - 279mm x 432mm



CONSTRUCTION NOTES

- (1) PROVIDE TEMPERATURE TRANSMITTER TT-M6000.
- (2) PROVIDE CONTROL CABLE CA-M6000 IN CONDUIT.

NOTES:

- THIS DRAWING SUPERSEDES DWG D-3416 & D-3417.
- REFER TO DWG. 1-0660M-E0013 FOR ELECTRICAL EQUIPMENT PLAN, PUMP ROOM.

SNC-Lavalin Inc.
No. 4489

00	ISSUED FOR TENDER AND CONSTRUCTION	2019/10/18	SB	BC
NO.	REVISIONS	DATE	DESIGN	CHECK

SNC-LAVALIN INC.
 148 Nature Park Way
 Winnipeg, MB, Canada R3P 0X7
 204-786-8080

DESIGNED BY: S. BOGHOSIAN	CHECKED BY: B. CLEVEN
DRAWN BY: J. GRAGASIN	APPROVED BY: D. BECKER
SCALE: NTS	DATE: 2019/02/01
ISSUED FOR CONSTRUCTION BY: A. WEISS	DATE: 2019/10/18
CONSULTANT NO.:	

ENGINEER'S SEAL

PROVINCE OF MANITOBA

V.V. ELIMBAN
Member

REGISTERED PROFESSIONAL ENGINEER

34636

Oct. 18 / 2019

THE CITY OF WINNIPEG
WATER AND WASTE DEPARTMENT

TACHE BOOSTER PUMPING STATION

LOOP DIAGRAM
MAIN CONTROL TEMPERATURE TRANSMITTER
TT-M6000

CITY DRAWING NUMBER	SHEET	REV.	SIZE
1-0660M-A0001	001	00	B