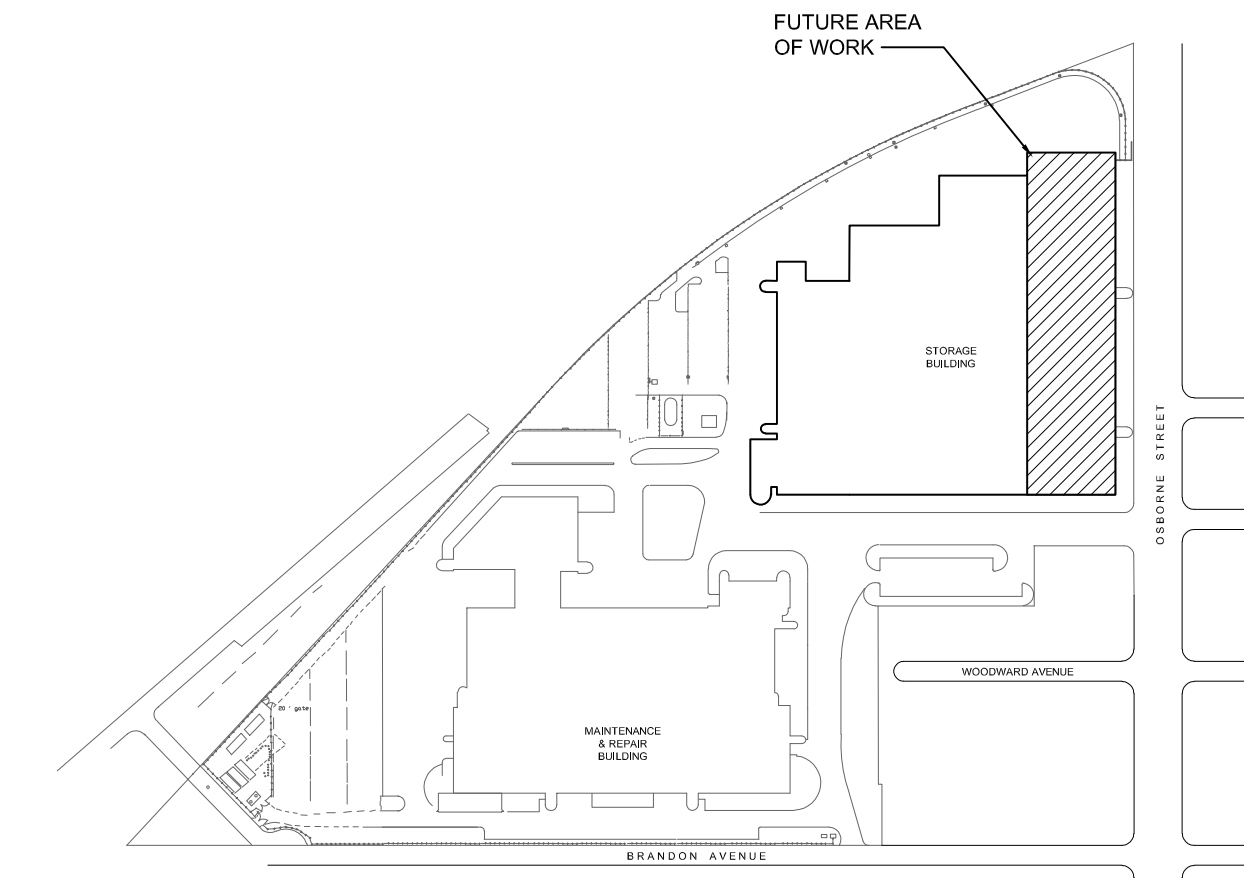


SUPPLY AND DELIVERY OF STORAGE TRACK 25-36 HEAT RECOVERY UNITS AT FORT ROUGE TRANSIT BASE

ISSUED FOR CONSTRUCTION 2019-11-12



MECHANICAL CONSULTANT



ELECTRICAL CONSULTANT



STRUCTURAL CONSULTANT



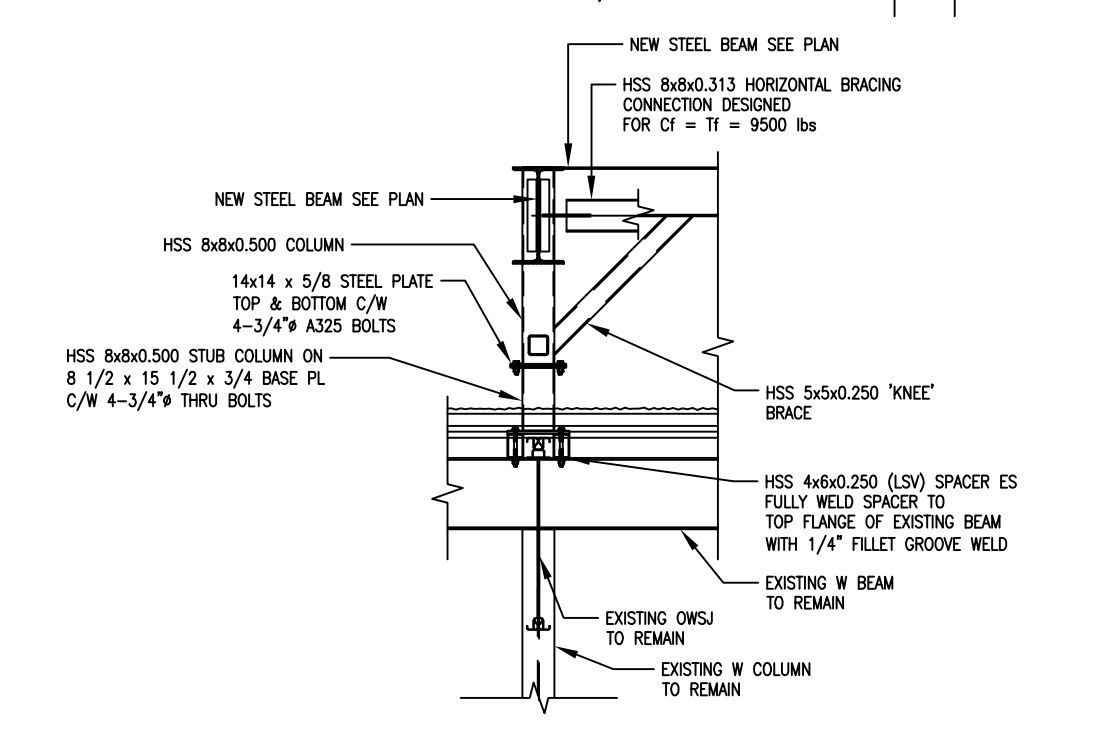
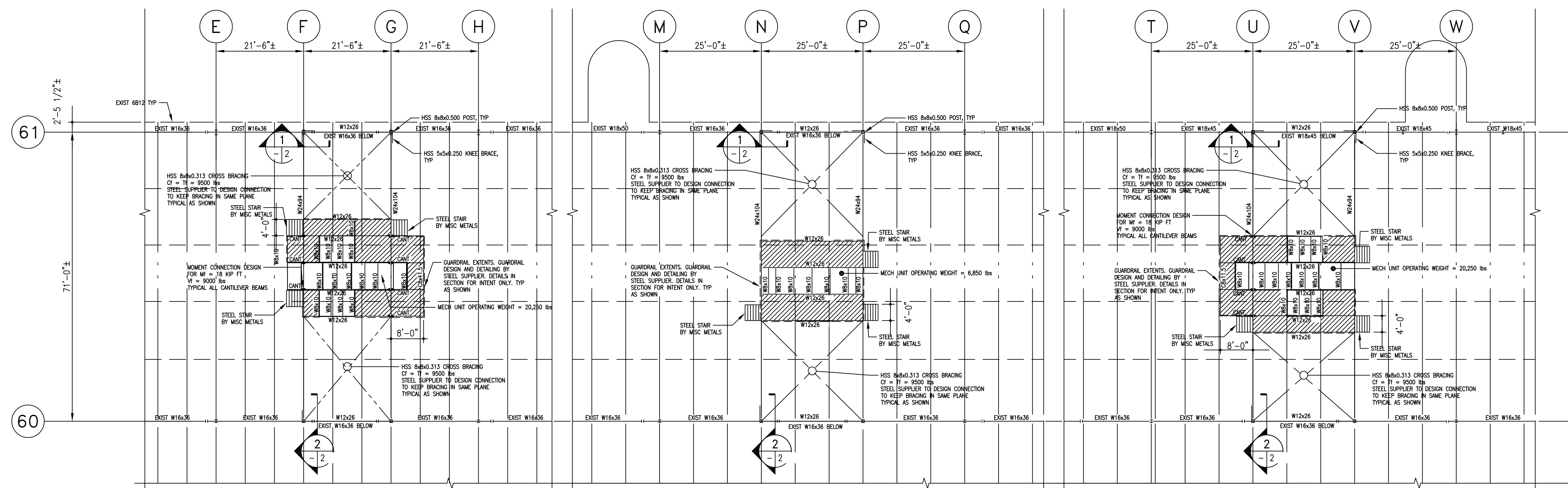
MOTOR SCHEDULE

MOTOR/ EQUIP ID	NAME	LOCATION	H.P. (KW)	VOLTS	STARTER & ACC.			SOURCE	STARTER LOCATION	FEEDER	REMARKS
					MAN	MAG	PL				
HUR-9	Heat Recovery Unit	Roof	58.6 FLA	600V/3ø				CDP-RS	PACKAGED UNIT	3#1	PACKAGED UNIT
HUR-10	Heat Recovery Unit	Roof	11 FLA	600V/3ø				CDP-RS	PACKAGED UNIT	3#10	PACKAGED UNIT
HUR-11	Heat Recovery Unit	Roof	58.6 FLA	600V/3ø				CDP-RS	PACKAGED UNIT	3#1	PACKAGED UNIT

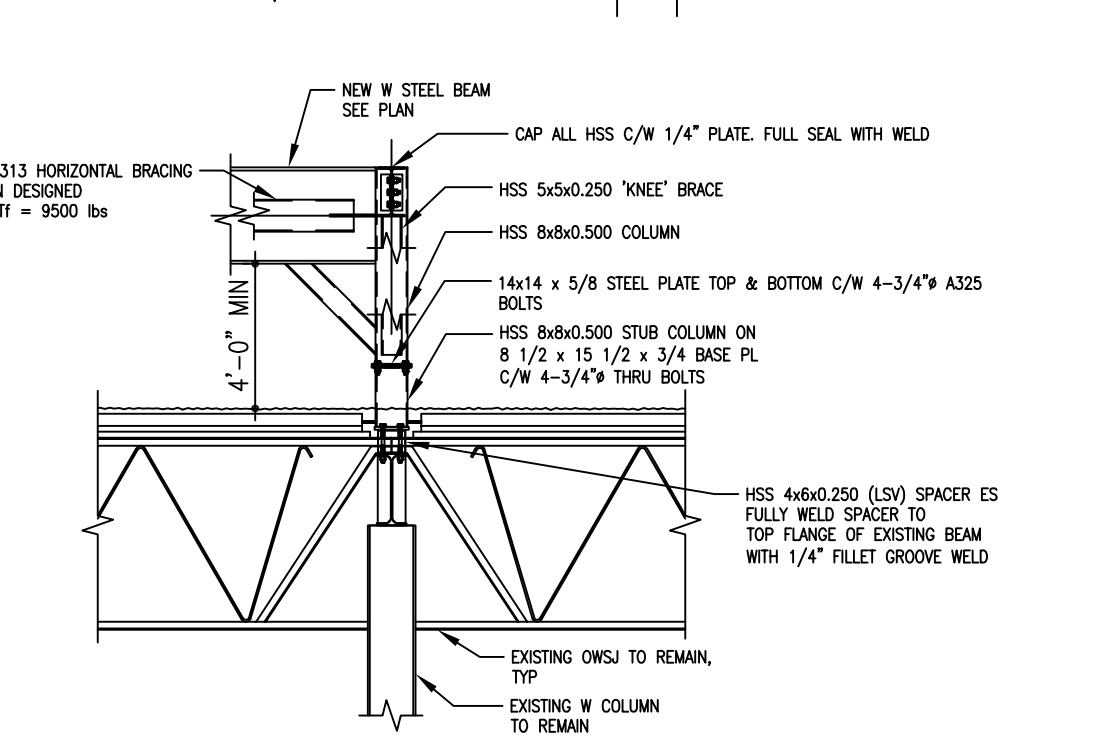
MECHANICAL DRAWING LIST

M1.1 ROOF PLAN - TRACK 25-36 - MECHANICAL -
NEW CONSTRUCTION

1 ELECTRICAL DETAILS FOR INFORMATION ONLY
SCALE: N.T.S.



1 SECTION
1/4" = 1'-0"



2 SECTION
1/4" = 1'-0"

NOTE: CONTRACTOR IS TO CUT OUT EXISTING ROOFING, INSULATION & STEEL DECKING AT EACH NEW COLUMN LOCATION TO ALLOW FOR THE BASE PLATE TO BE INSTALLED DIRECTLY ON TOP OF THE NEW STEEL HSS SPACERS. ONCE THE COLUMNS ARE INSTALLED, THE CONTRACTOR IS RESPONSIBLE FOR RE-ROOFING AROUND EACH NEW COLUMN.

2 STRUCTURAL DETAILS FOR INFORMATION ONLY
SCALE: N.T.S.