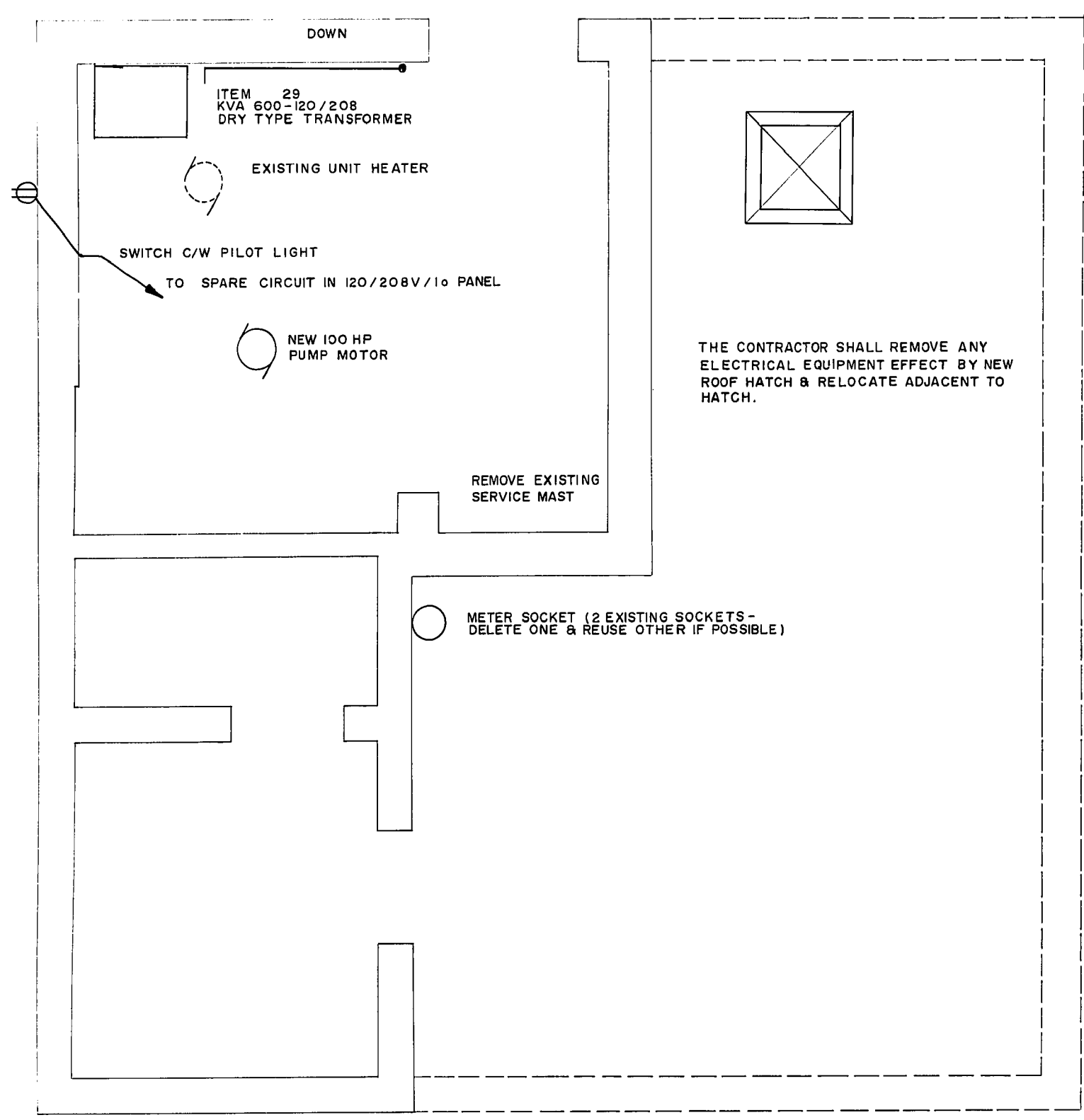
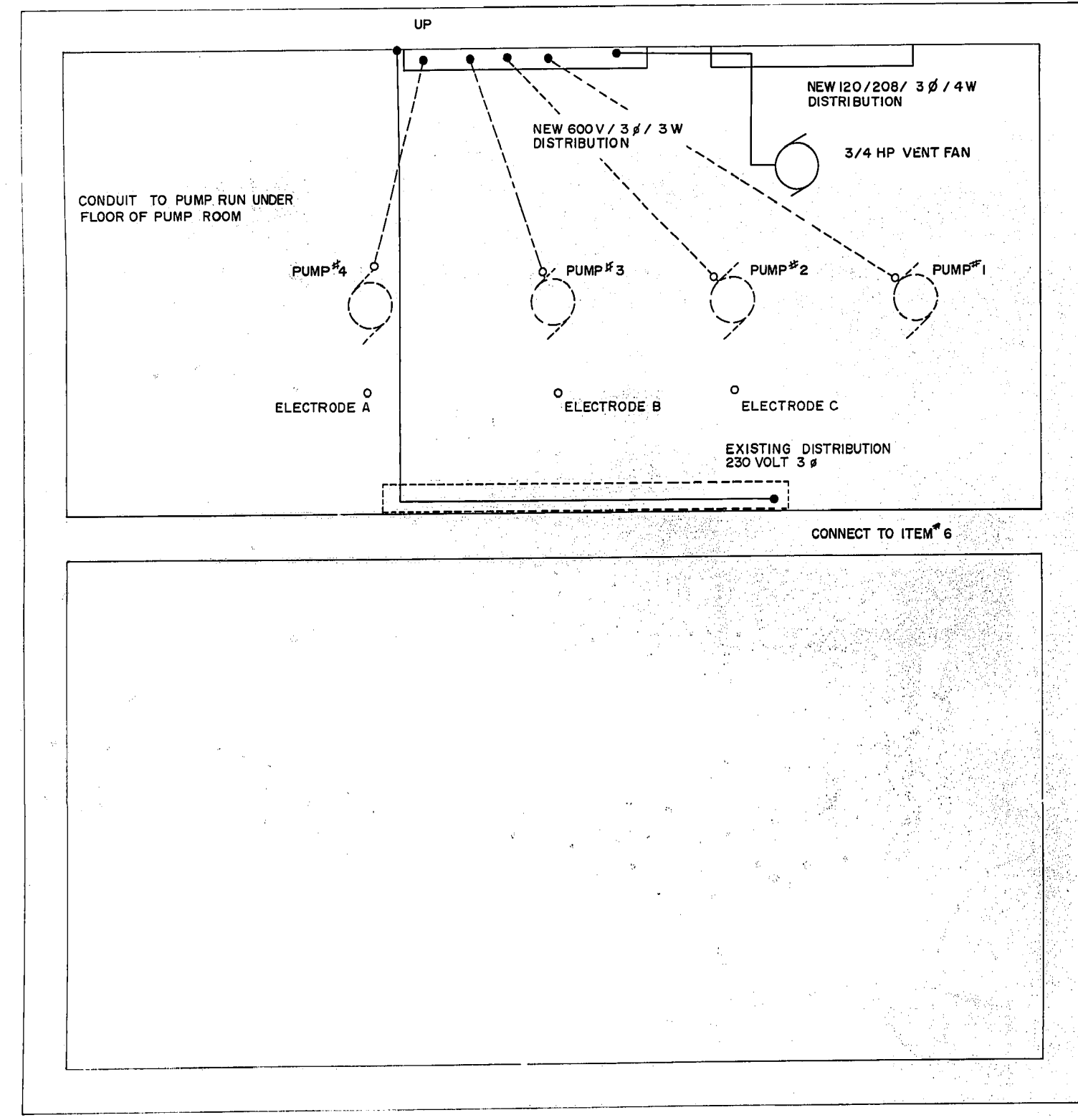


file # SP 10289

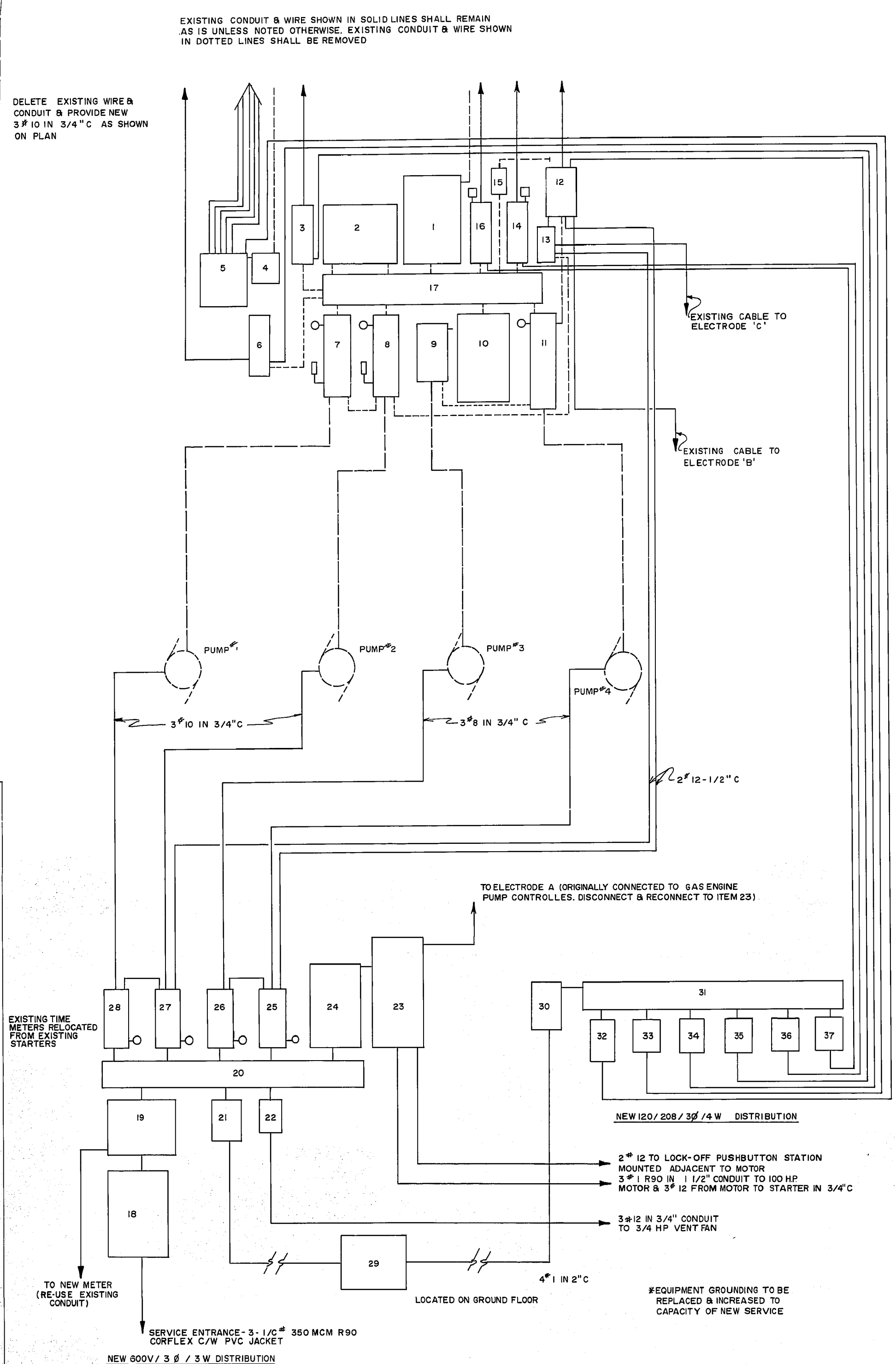
REF. or DRAWING No. 1113a  
DETAILS



GROUND FLOOR PLAN  
3/8" = 1'-0"



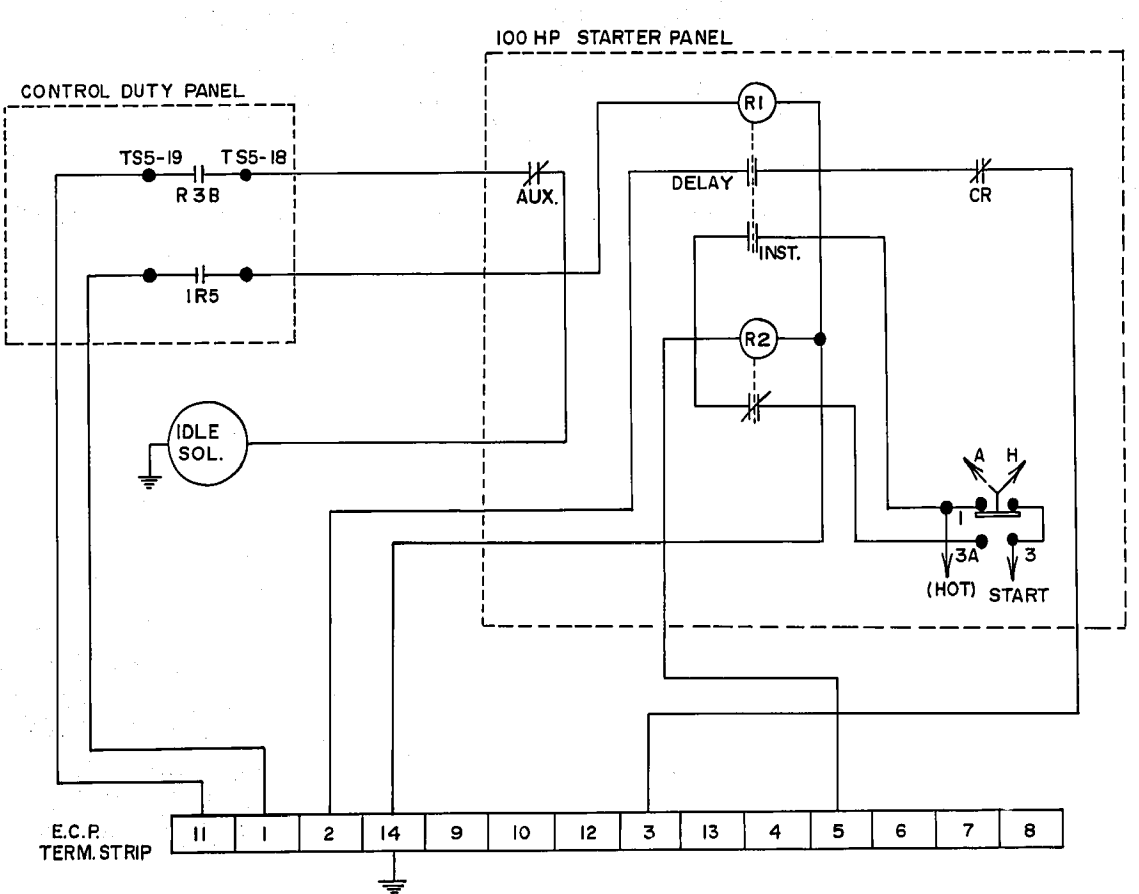
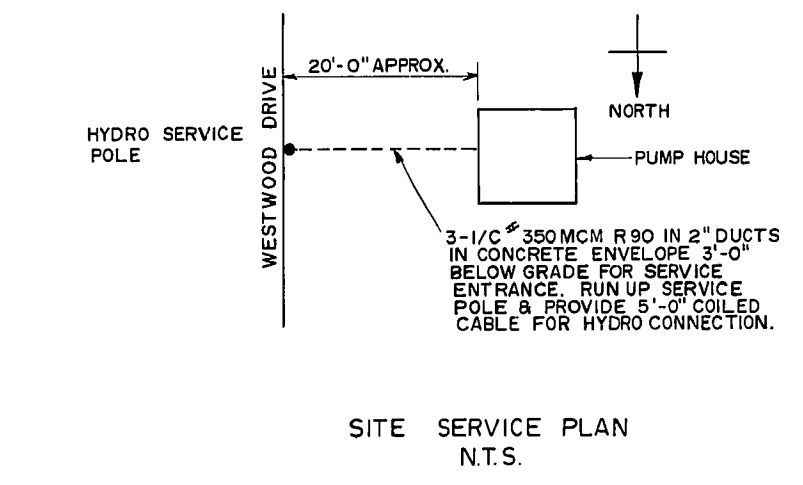
PUMP MOTOR LEVEL PLAN  
3/8" = 1'-0"



EQUIPMENT SCHEDULE

ITEM	DESCRIPTION
1	EXISTING 400 AMP SWITCH - REMOVE
2	EXISTING CT CABINET - REMOVE
3	EXISTING COMBINATOR MOTOR STARTER 1 1/2 HP 230 VOLT - RECONNECT TO ITEM #34
4	EXISTING 115/230 VOLT FUSIBLE DISCONNECT - REMOVE
5	EXISTING 115/230 VOLT PANEL - RECONNECT TO ITEM #32
6	EXISTING CONTACTOR FOR 5KW UNIT HEATER - RECONNECT TO ITEM #33
7	EXISTING COMBINATION STARTER FOR PUMP #1 - REMOVE
8	EXISTING COMBINATION STARTER FOR PUMP #2 - REMOVE
9	EXISTING STARTER FOR PUMP #3 - REMOVE
10	EXISTING FUSE DISCONNECT FOR PUMP #4 - REMOVE
11	EXISTING COMBINATION STARTER PUMP #4 - REMOVE
12	EXISTING PUMP CONTROLLER FOR PUMPS # 4 & 4 - RECONNECT TO ITEMS 35, 25 & 26
13	EXISTING PUMP CONTROLLER FOR PUMPS 1 & 2 - RECONNECT TO ITEMS 27 & 28
14	EXISTING CONTACTOR FOR 4 KW 230V/17 DUCT HEATER - RECONNECT TO ITEM 36
15	EXISTING CONTACTOR - REMOVE
16	EXISTING CONTACTOR FOR 10 KW 230V/30 UNIT HEATER - RECONNECT TO ITEM 37
17	EXISTING 230 VOLT SPLITTER - REMOVE
18	NEW 600 AMP 600 VOLT 3 PHASE FUSIBLE DISCONNECT FUSED 500 AMPS
19	NEW CT CABINET - REMOVE METER
20	NEW 600 AMP 600 VOLT 3 PHASE 3 WIRE SPLITTER
21	NEW 60 AMP 600 VOLT 3 PHASE 3 WIRE FUSIBLE DISCONNECT FUSED 60 AMPS
22	NEW SIZE 1 COMBINATION STARTER FOR 3/4HP VENT, MOTOR - 600 VOLT 3 PHASE
23	NEW SIZE 4 AUTOTRANSFORMER STARTER FOR 100HP PUMP - 600 VOLT 3 PHASE
24	NEW FUSIBLE DISCONNECT FOR NEW 100HP PUMP 600 VOLT 3 PHASE FUSED 150 AMP
25	NEW SIZE 2 COMBINATION STARTER FOR PUMP #4 25HP 600 VOLT 3 PHASE
26	NEW SIZE 2 COMBINATION STARTER FOR PUMP #3 25HP 600 VOLT 3 PHASE
27	NEW SIZE 2 COMBINATION STARTER FOR PUMP #2 15HP 600 VOLT 3 PHASE
28	NEW SIZE 2 COMBINATION STARTER FOR PUMP #1 15HP 600 VOLT 3 PHASE
29	NEW 45 KVA 600-120/208/30/4K DRY TYPE TRANSFORMER
30	NEW 200 AMP 208 VOLT 3 PHASE 4 WIRE FUSIBLE DISCONNECT FUSED 125 AMPS
31	NEW 125 AMP 120/208 VOLT 3 PHASE 4 WIRE SPLITTER TROUGH
32	NEW 60 AMP 120/208 VOLT SINGLE PHASE 3 WIRE FUSIBLE DISCONNECT FOR ITEM #5 FUSED 60 AMPS
33	NEW 30 AMP 208 VOLT SINGLE PHASE FUSIBLE DISCONNECT FOR ITEM #6 FUSED 30 AMPS
34	NEW 30 AMP 208 VOLT 3 PHASE FUSIBLE DISCONNECT FOR ITEM #3 FUSED 15 AMPS
35	NEW 30 AMP 208 VOLT SINGLE PHASE FUSIBLE DISCONNECT FOR ITEM #12 FUSED 15 AMPS
36	NEW 30 AMP 208 VOLT SINGLE PHASE FUSIBLE DISCONNECT FOR ITEM #14 FUSED 30 AMPS
37	NEW 30 AMP 208 VOLT 3 PHASE FUSIBLE DISCONNECT FOR ITEM #16 FUSED 30 AMPS

\* 4 N.O., + 4 N.C., AUXILIARY CONTACTS  $\Delta$



B.M. ELEV.		ENGINEER'S SEAL			CITY DRAWING NUMBER
DESIGNED BY UMA GROUP		CHECKED BY B. ROBINSON			
DRAWN BY M. DAHL		APPROVED BY		CONSULTANT DRAWING NO. 01-0265-112-01	SHEET 1 OF 2
HOR SCALE VERTICAL		RELEASED FOR CONSTRUCTION			
DATE JAN, 1985		DATE		file # SP 10289	