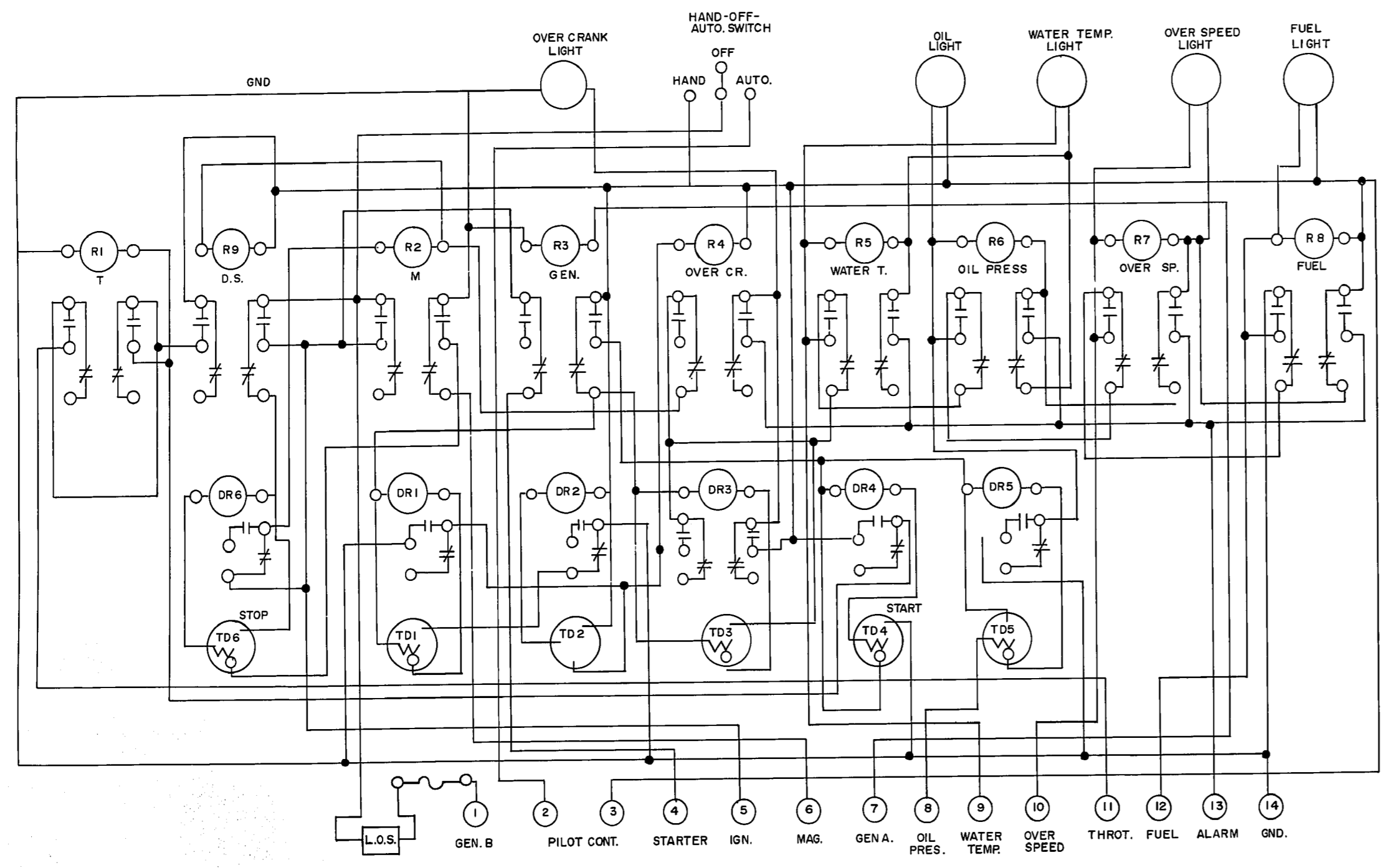


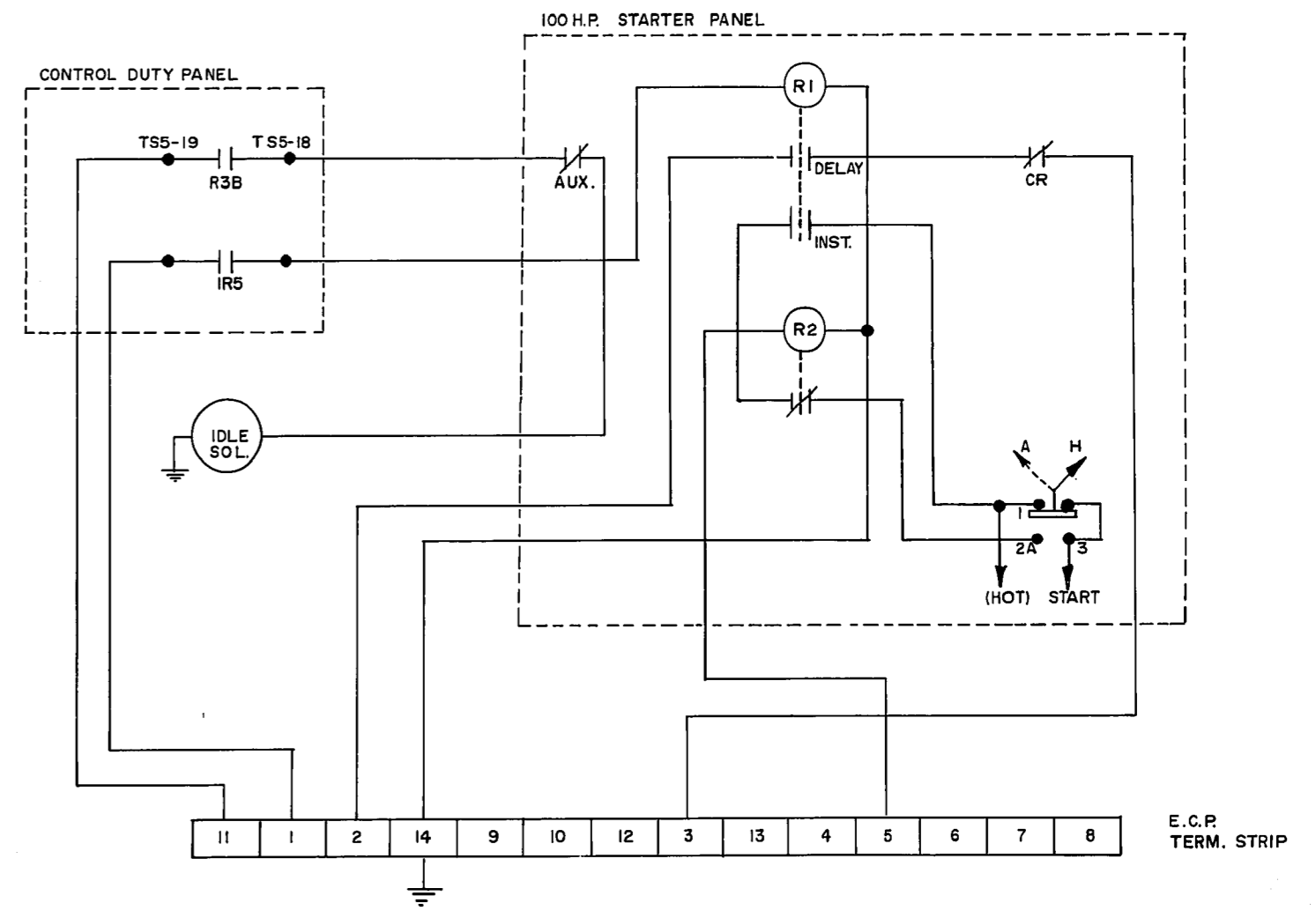
file #
SP10290

REF. or DRAWING No. **1113b**
DETAILS



TD-6 REPLACED WITH 'MEGNECRAFT' # W67CPSOX-3-DPDT-12 V dc (1-240)
GSW WATER PRODUCTS 633-4424

ENGINE CONTROL PANEL
MODEL 1020



FIELD WIRING

NO	REVISIONS	DATE	APP

DESIGNED BY: B. ROBINSON		DRAWN BY: M.B. DAHL	
CHECKED BY: B. ROBINSON		DATE: JAN. 1985	
APPROVED BY:		DATE:	

THE CITY OF WINNIPEG
WORKS & OPERATIONS DIVISION

WESTWOOD LIFT STATION
ELECTRICAL

RELEASED FOR CONSTRUCTION: DATE:

SCALE: N.T.S. DRAWING NO.: **1113b**

file # SP10290