

File Name: 0365MNSP.dwg

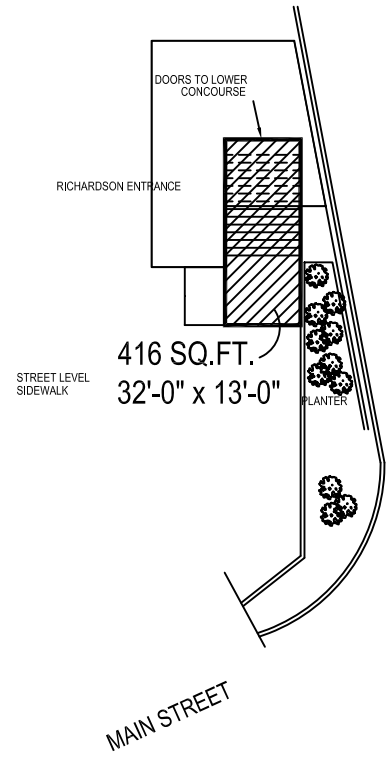
Date: 2019.04.01

Description: Portage & Main Site Plan

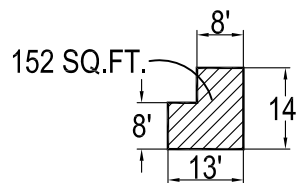
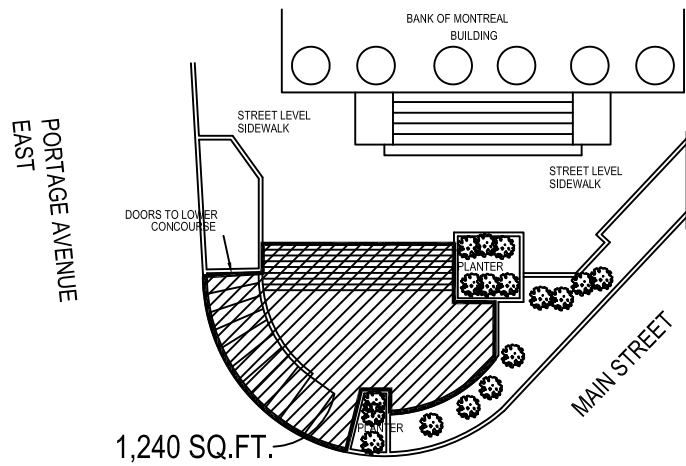
Project No.:

Address: 365 Main

**PORTAGE & MAIN
NORTH EAST CORNER**

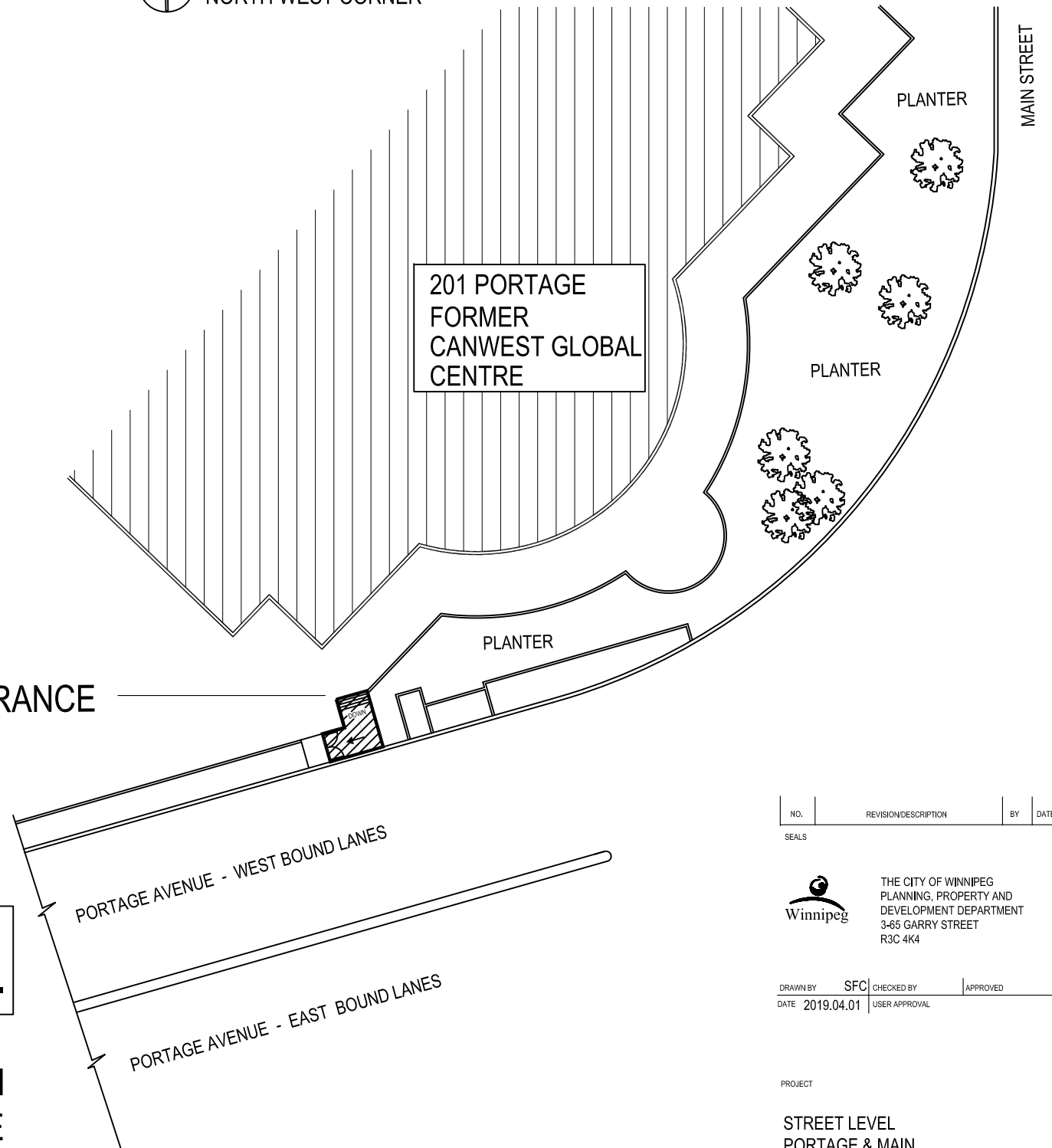


**PORTAGE & MAIN
SOUTH EAST CORNER**

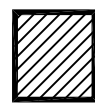
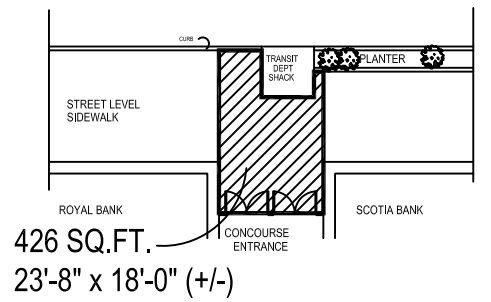


**STREET LEVEL ENTRANCE
TO CONCOURSE**

**PORTAGE & MAIN
NORTH WEST CORNER**



PORTAGE AVENUE



**AREAS TO BE CLEARED OF SNOW:
416 + 1,240 + 152 + 426 = 2,234 SQ. FT.**

**PARTIAL SITE PLAN
PORTAGE & MAIN CONCOURSE
365 MAIN STREET**

**BID OPPORTUNITY
136-2019**

NO.	REVISION/DESCRIPTION	BY	DATE
SEALS			

THE CITY OF WINNIPEG
PLANNING, PROPERTY AND
DEVELOPMENT DEPARTMENT
3-65 GARRY STREET
R3C 4K4

DRAWN BY: SFC CHECKED BY: APPROVED
DATE: 2019.04.01 USER APPROVAL

PROJECT
STREET LEVEL
PORTAGE & MAIN
CONCOURSE

365 MAIN STREET
SHEET TITLE
PARTIAL SITE PLAN
SNOW REMOVAL

0365MNSP
SCALE: NTS PROJECT NO: SHEET NO: A-1