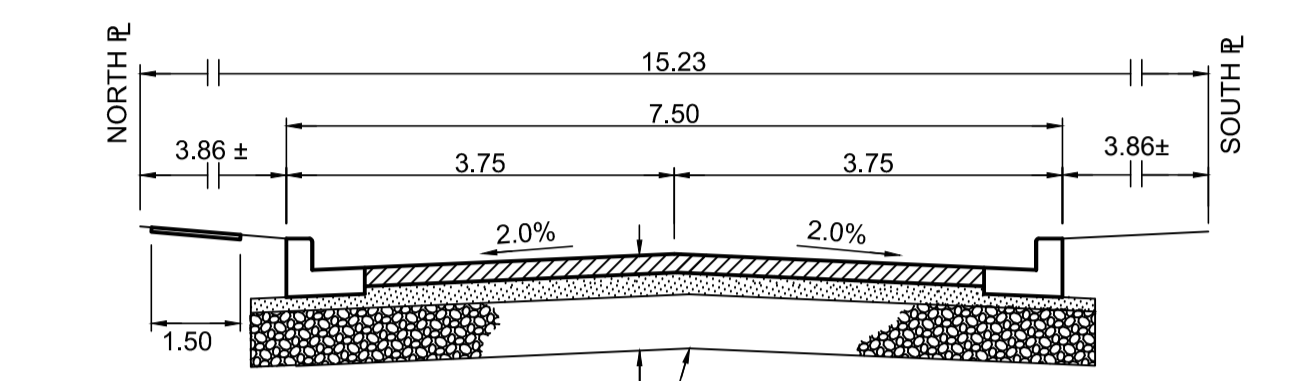
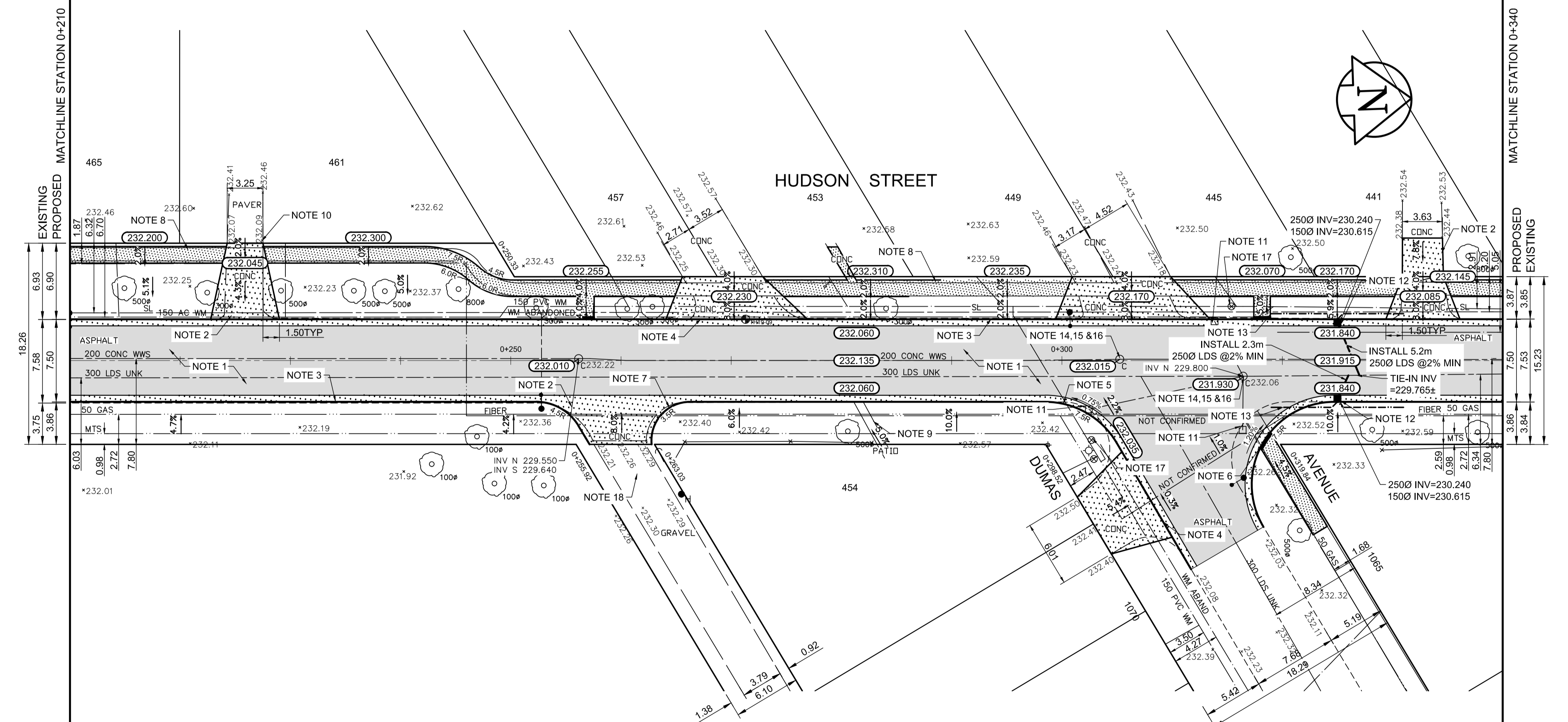


100 ASPHALT (TYPE 1A)
75 BASE COURSE MATERIAL
300 CRUSHED SUB BASE MATERIAL
(MAX. SIZE 50mm)
NON WOVEN GEOTEXTILE



100 ASPHALT (TYPE 1A)
75 BASE COURSE MATERIAL
300 CRUSHED SUB BASE MATERIAL
(MAX. SIZE 50mm)
NON WOVEN GEOTEXTILE



REFERENCE NOTES

- A. PAVEMENT DIMENSIONS ARE TO BACK OF CURB
- B. BASELINE IS CENTRE LINE RIGHT-OF-WAY
- C. PROPERTY LINES OBTAINED FROM CITY OF WINNIPEG L.B.I.S., AND NO SCALE FACTOR WAS APPLIED
- D. REFER TO AECOM FIELD BOOK NO. 5034

CONSTRUCTION NOTES

1. REMOVE EXISTING CONCRETE AND ASPHALTIC PAVEMENT AND CONSTRUCT NEW ASPHALTIC PAVEMENT TYPE 1A (100mm)
2. REMOVE EXISTING CONCRETE PAVEMENT AND CONSTRUCT NEW 150mm REINFORCED CONCRETE PAVEMENT
3. CONSTRUCT NEW BARRIER CURB AND GUTTER (600mm WIDTH, 180mm HT.)
4. CONSTRUCT NEW LIP CURB AND GUTTER (40mm HT. INTEGRAL)
5. CONSTRUCT NEW MODIFIED BARRIER CURB AND GUTTER (600mm WIDTH, 180mm HT.)
6. CONSTRUCT NEW CURB RAMP CURB AND GUTTER (10mm HT. INTEGRAL)
7. CONSTRUCT NEW MODIFIED BARRIER CURB (180mm HT. INTEGRAL)
8. RENEW EXISTING 100mm CONCRETE SIDEWALK
9. REMOVE AND REINSTALL EXISTING PATIO BLOCKS TO GRADE
10. REMOVE AND REINSTALL EXISTING PAVING STONES
11. REMOVE EXISTING CATCHBASIN AND ABANDON LEAD
12. INSTALL NEW CURB AND GUTTER INLET c/w CATCHBASIN 1800mm (SD-024) AND CONNECT TO EXISTING MANHOLE
13. INSTALL 150mm SUBDRAIN
14. ADJUST EXISTING MANHOLE/CATCHBASIN TO GRADE
15. REMOVE EXISTING FRAME AND COVER AND INSTALL NEW FRAME AND SOLID COVER (AP-006 AND AP-007)
16. INSTALL NEW CAST IRON RISER RING
17. ADJUST EXISTING WATER VALVE TO GRADE
18. REGRADE EXISTING GRAVEL

AECOM
Certificate of Authorization
AECOM Canada Ltd.
No. 4671 Date: _____

METRIC
WHOLE NUMBERS INDICATE MILLIMETRES
DECIMALIZED NUMBERS INDICATE METRES

150 mm W.M.	WATERMAIN	150 mm W.M.	HYDRO	— x —	Q PROFILE
Hydrant	HYDRANT	M.T.S.	M.T.S.	— □ —	WEST GUTTER
Valve	VALVE	CONCRETE	CONCRETE	— ○ —	EAST GUTTER
300mm L.D.S.	LAND DRAINAGE SEWER	ASPHALT	ASPHALT	— ◇ —	N/W PROPERTY LINE
250mm W.W.S.	WASTEWATER SEWER	PROPERTY LINE	PROPERTY LINE	— ○ —	S/E PROPERTY LINE
Manhole	MANHOLE	SURVEY BAR	SURVEY BAR		
Catch Basin	CATCH BASIN	ELEVATION (235.750)	ELEVATION		
Catch Pit	CATCH PIT	TREE	TREE		
Junctions	JUNCTIONS	SIDEWALK RAMP	SIDEWALK RAMP		
Culvert	CULVERT	CONCRETE SIDEWALK	CONCRETE SIDEWALK		
Gas	GAS	FENCE	FENCE		
EXISTING	LEGEND - PLAN	PROPOSED	LEGEND - PLAN	PROPOSED	LEGEND - PROFILE

LOCATION APPROVED UNDERGROUND STRUCTURES

SUPV. U/G STRUCTURES COMMITTEE DATE

NOTE:
LOCATION OF UNDERGROUND STRUCTURES AS SHOWN ARE BASED ON THE BEST INFORMATION AVAILABLE. BUT NO GUARANTEE IS GIVEN THAT ALL EXISTING UTILITIES ARE SHOWN OR THAT THE GIVEN LOCATIONS ARE EXACT. CONFIRMATION OF EXISTENCE AND EXACT LOCATION OF ALL SERVICES MUST BE OBTAINED FROM THE INDIVIDUAL UTILITIES BEFORE PROCEEDING WITH CONSTRUCTION.

B.M.	64-024	N.W. Cor. Clarence Ave. & Pembina Hwy., Tolt. in S. Conc Foundation of Pembina Plaza, No. 1445 Pembina Hwy., 4.0m W. & 0.1m below stucco of S.E. Cor. of Bldg.
ELEV.	232.552	
NO.	REVISIONS	DATE BY
0	ISSUED FOR TENDER	05/02/2019 KWR
A	ISSUED FOR REVIEW	03/15/2019 BC

AECOM

DESIGNED BY	SS	CHECKED BY	BC/KWR
DRAWN BY	SS	APPROVED BY	
HOR. SCALE:	1:250	RELEASED FOR CONSTRUCTION BY:	
VERTICAL:	1:10	DATE	

ENGINEER'S SEAL
PROVINCE OF MANITOBA
K.W. RAE
REGISTERED PROFESSIONAL ENGINEER

THE CITY OF WINNIPEG
PUBLIC WORKS DEPARTMENT
ENGINEERING DIVISION

2019 LOCAL STREET RENEWAL PROGRAM

HUDSON STREET - CHEVRIER BOULEVARD TO CLARENCE AVENUE
PAVEMENT RECONSTRUCTION
STATION 0+210 TO STATION 0+340

CITY DRAWING NUMBER
SHEET 05 OF 17

CONSULTANT DRAWING NO. CT-05