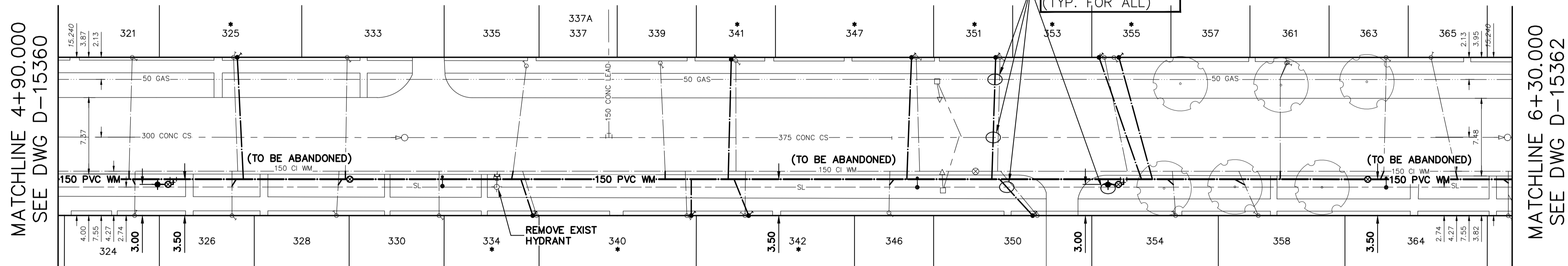
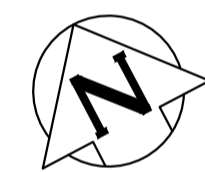


NOTE: CHAINAGES SHOWN ARE ALONG S. R. OF JAMISON AVE.

JAMISON AVENUE



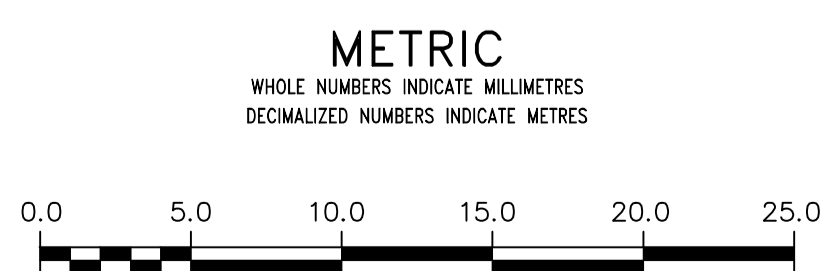
MATCHLINE 4+90.000
SEE DWG D-15360

MATCHLINE 6+30.000
SEE DWG D-15362

FOR WATER SERVICE TABLE SEE D-15359

FOR INDEX SEE D-15356

NOTE: ALL VALVES TO BE INSTALLED COUNTERCLOCKWISE TO CLOSE



WARNING

IF POWER EQUIPMENT OR EXPLOSIVES ARE TO BE USED FOR EXCAVATION ON THIS PROJECT THE CONTRACTOR MUST:

- 1) NOTIFY THE GAS COMPANY OF THE PROPOSED LOCATION OF EXCAVATION.
- 2) TAKE PRECAUTION TO AVOID DAMAGE TO GAS COMPANY INSTALLATIONS.

SEE PROVINCIAL REGULATION 210/72 FOR DETAILS

LOCATION APPROVED UNDERGROUND STRUCTURES

SUPV. U/G STRUCTURES COMMITTEE DATE

NOTE:
LOCATION OF UNDERGROUND STRUCTURES AS SHOWN ARE BASED ON THE BEST INFORMATION AVAILABLE BUT NO GUARANTEE IS GIVEN THAT ALL EXISTING UTILITIES ARE SHOWN OR THAT THE GIVEN LOCATIONS ARE EXACT. CONFIRMATION OF EXISTENCE AND EXACT LOCATION OF ALL SERVICES MUST BE OBTAINED FROM THE INDIVIDUAL UTILITIES BEFORE PROCEEDING WITH CONSTRUCTION.

B.M. ELEV.				
NO.	REVISIONS	DATE	BY	

DESIGNED BY	MJK	CHECKED BY	SC
DRAWN BY	RS	APPROVED BY	KZ
SCALE:			
HORIZONTAL	1:250		
VERTICAL	1:50		
DATE	2019 03 26	RELEASED FOR CONSTRUCTION	K. ZUREK
		DATE	2019-03-25
PLOT DATE: 2019 03 26			

ENGINEER'S SEAL

ORIGINAL SIGNED BY S.R.J. COURNOYER
19/03/25

CONSULTANT DRAWING NUMBER

THE CITY OF WINNIPEG
WATER AND WASTE DEPARTMENT
ENGINEERING DIVISION

2019 WATER MAIN RENEWALS
CONTRACT 8

JAMISON AVENUE
65 E OF BRAZIER STREET TO
205 E OF BRAZIER STREET

SHEET 7 OF 11
CITY DRAWING NUMBER
D-15361