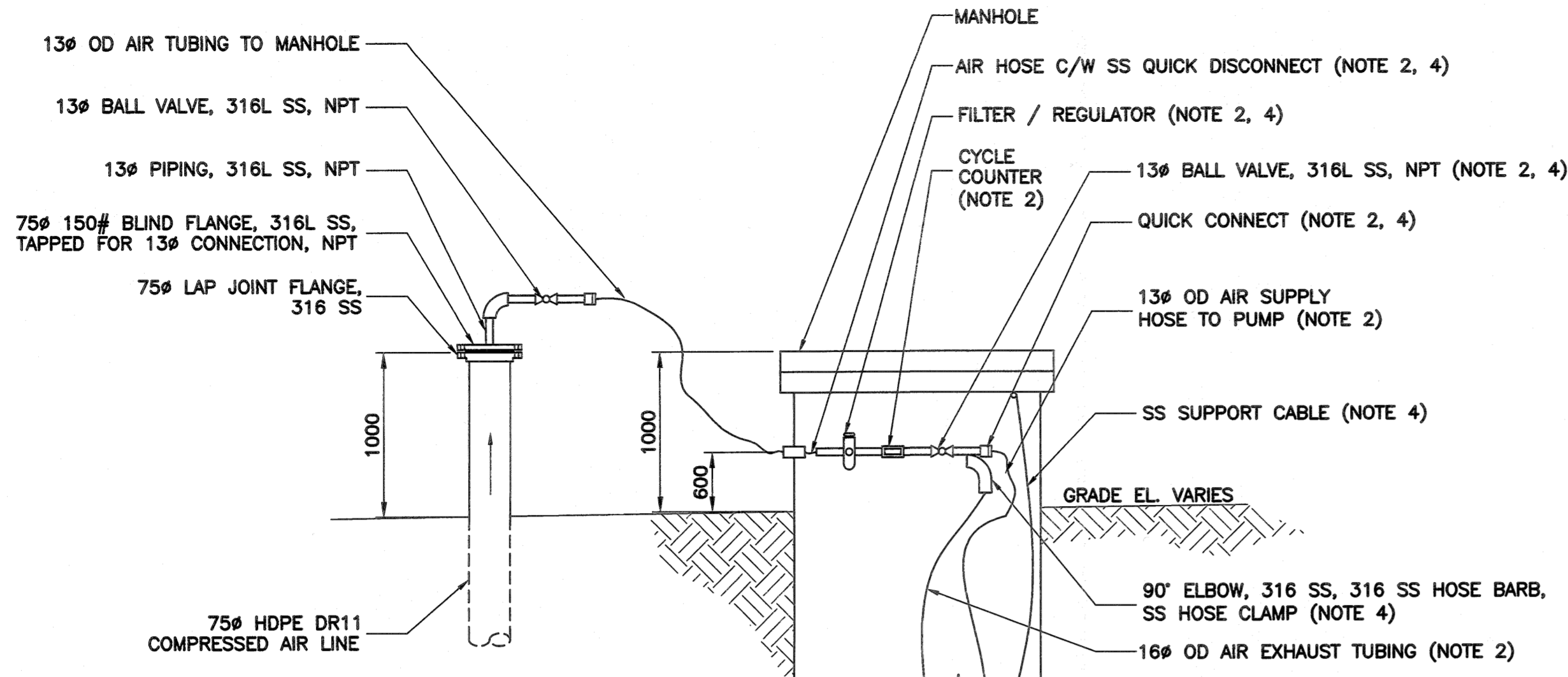
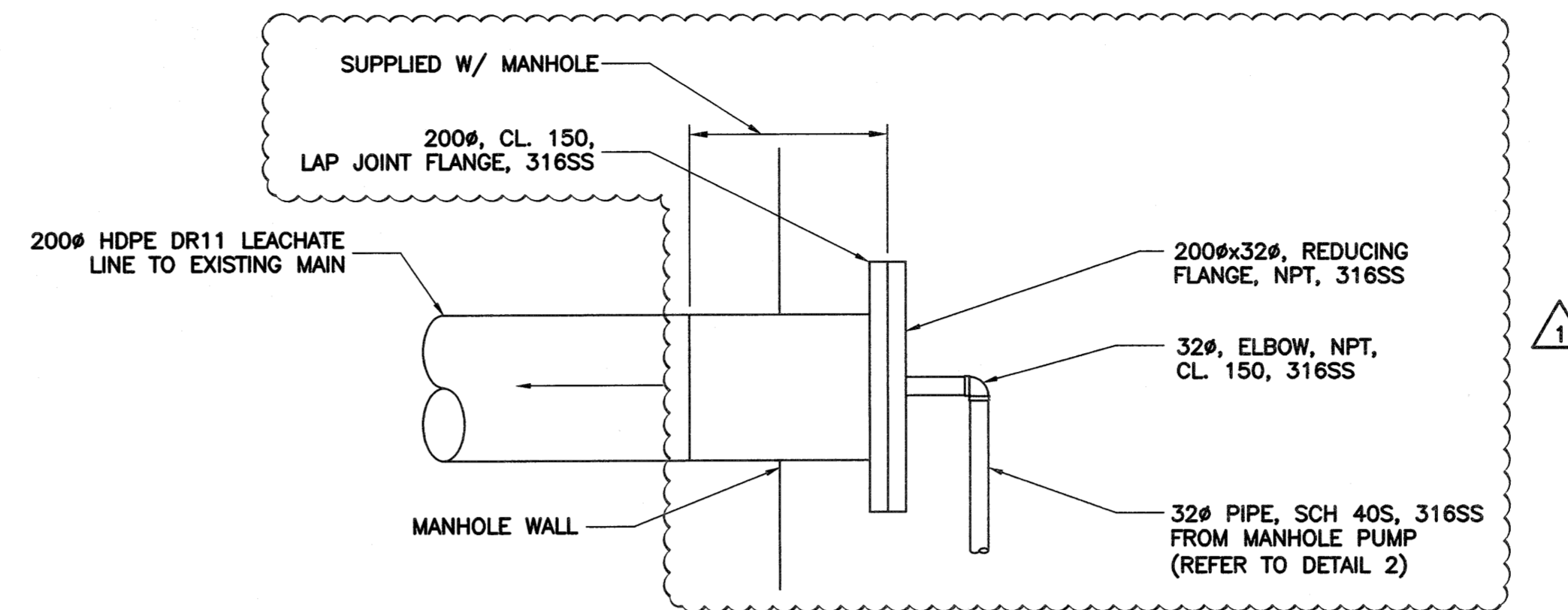


**GENERAL NOTES:**

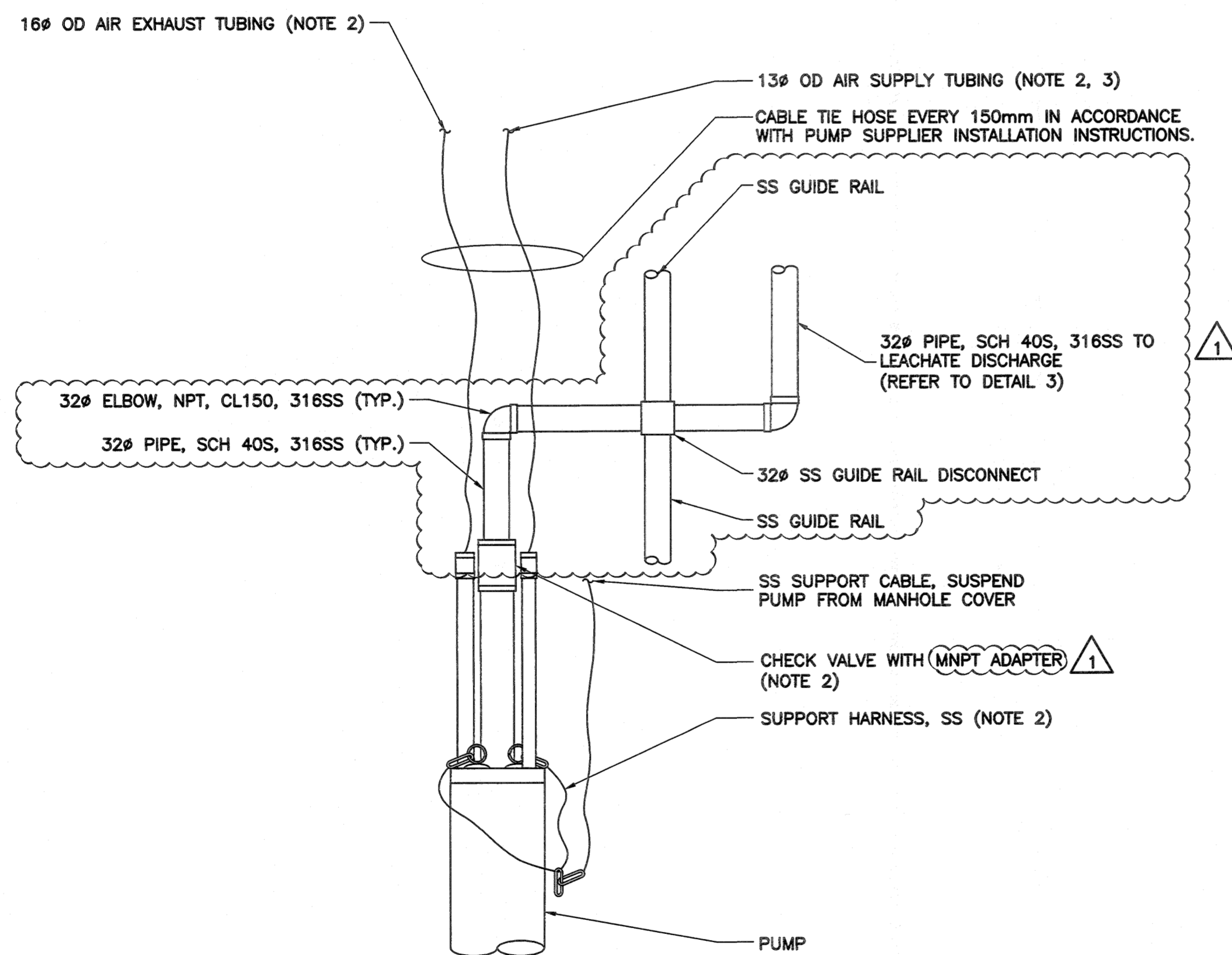
1. REFER TO SHT. 23 FOR MECHANICAL GENERAL NOTES.
2. SUPPLIED WITH PUMP.
3. PROVIDE SUFFICIENT LENGTH OF TUBING TO ALLOW REMOVAL OF PUMP FROM SUMP.
4. INSTALL INSIDE MANHOLE NEAR COVER, SECURE TO WALL.
5. ALL DETAILS ARE TYPICAL FOR CELL 32, 33 AND 34 U.N.O.



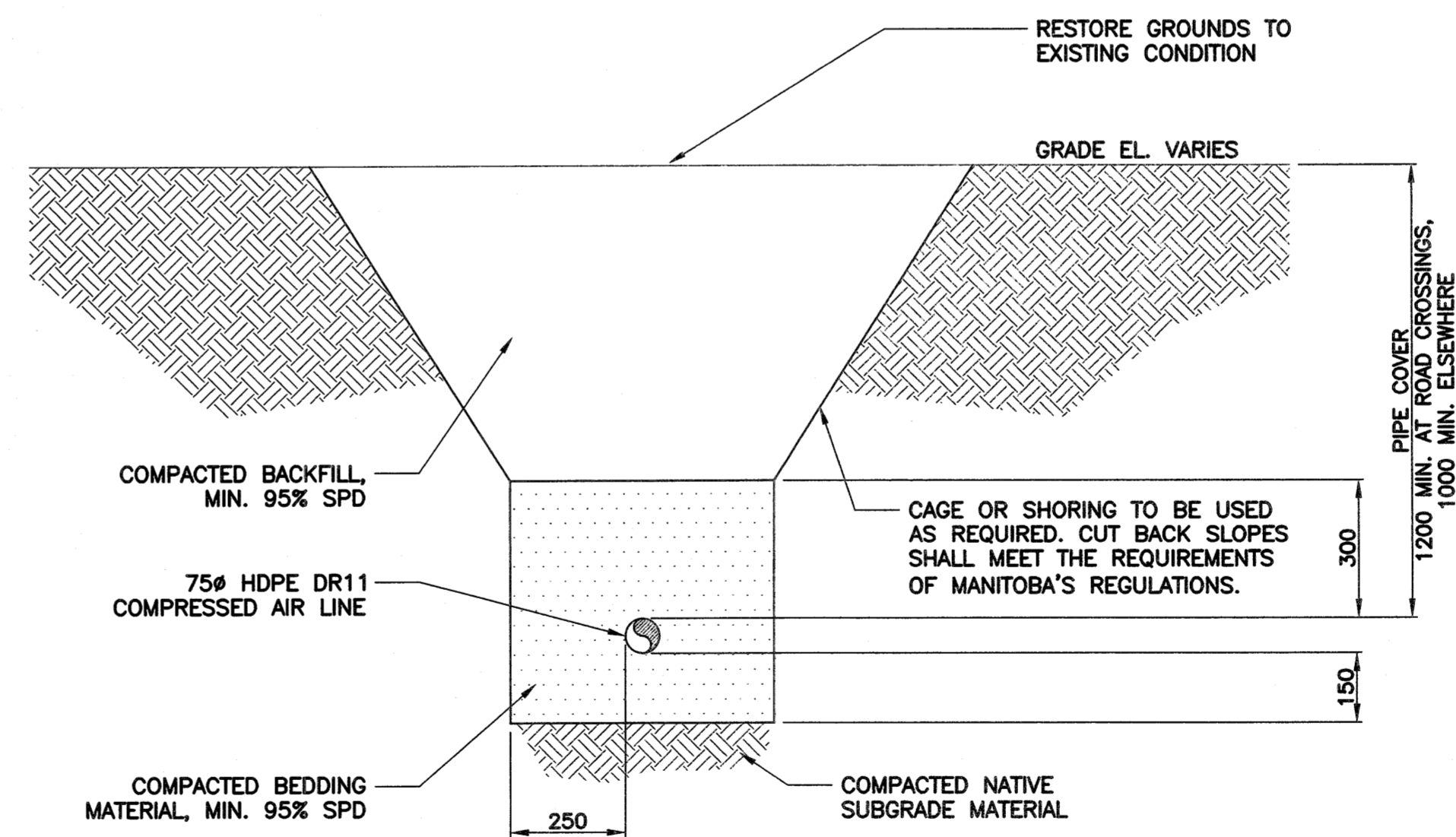
**1** **DETAIL - COMPRESSED AIR SUPPLY**  
SCALE: NTS



**3** **DETAIL - LEACHATE DISCHARGE FROM MANHOLE**  
SCALE: NTS



**2** **DETAIL - MANHOLE PUMP**  
SCALE: NTS



**4** **DETAIL - COMPRESSED AIR PIPE TRENCH**  
SCALE: N.T.S.

LOCATION APPROVED UNDERGROUND STRUCTURES	
SUPV. U/G STRUCTURES COMMITTEE	DATE
NOTE: LOCATION OF UNDERGROUND STRUCTURES AS SHOWN ARE BASED ON THE BEST INFORMATION AVAILABLE BUT NO GUARANTEE IS GIVEN THAT ALL EXISTING UTILITIES ARE SHOWN OR THAT THE GIVEN LOCATIONS ARE EXACT. CONFIRMATION OF EXISTENCE AND EXACT LOCATION OF ALL SERVICES MUST BE OBTAINED FROM THE INDIVIDUAL UTILITIES BEFORE PROCEEDING WITH CONSTRUCTION.	

B.M. ELEV.	
CONSTRUCTION COMPLETION DATE: YYYY MM DD	
DESIGNED BY	MSK
CHECKED BY	HW
DRAWN BY	ML
APPROVED BY	MSK
SCALE:	HORIZONTAL AS NOTED VERTICAL AS NOTED
DATE	2018 18 12
DATE	
NO.	REVISIONS
DATE	BY

**KGS GROUP** CONSULTING ENGINEERS & PROJECT MANAGERS  
WINNIPEG (204) 896-1209  
THUNDER BAY (807) 345-2233

DESIGNED BY: MSK  
CHECKED BY: HW  
DRAWN BY: ML  
APPROVED BY: MSK  
RELEASED FOR CONSTRUCTION

SCALE: HORIZONTAL AS NOTED  
VERTICAL AS NOTED  
DATE: 2018 18 12

CONSULTANT DRAWING NUMBER: 15-0107-014\_M18

PLOT DATE: 2019 03 25

ENGINEER'S SEAL

M.S. KOZARSKY  
Member  
23991

CONSULTANT DRAWING NUMBER: 15-0107-014\_M18

**METRIC**  
WHOLE NUMBERS INDICATE MILLIMETRES  
DECIMALIZED NUMBERS INDICATE METRES

**THE CITY OF WINNIPEG**  
WATER AND WASTE DEPARTMENT  
ENGINEERING DIVISION

BRADY ROAD RESOURCE MANAGEMENT FACILITY (BRMF) AREA A CONSTRUCTION

MECHANICAL DETAILS

SHEET 29 of 29  
CITY DRAWING NUMBER: 1-0400A-M0021-001

**APEGM**  
Certificate of Authorization  
KGS Group  
No. 245