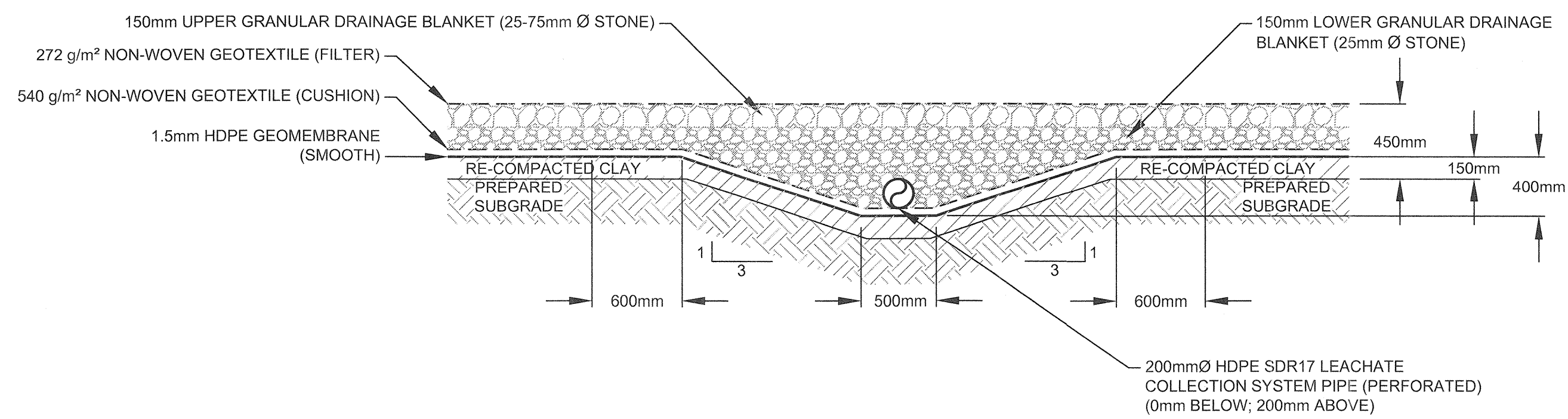
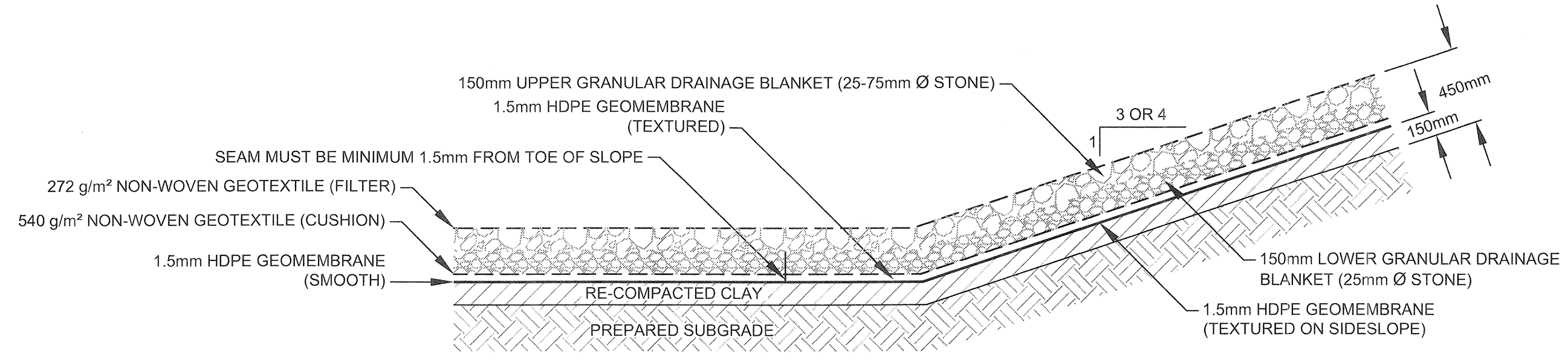


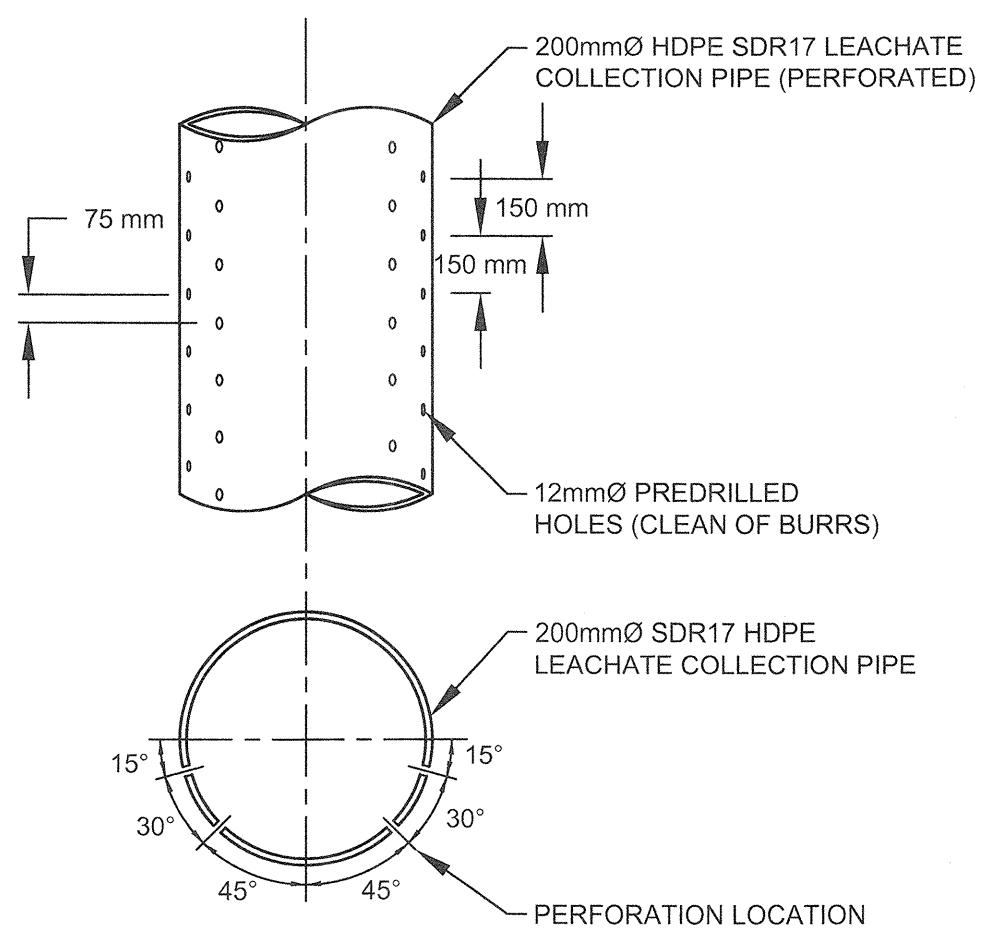
DETAIL 1 LINER SYSTEM  
1:30 SHT-07



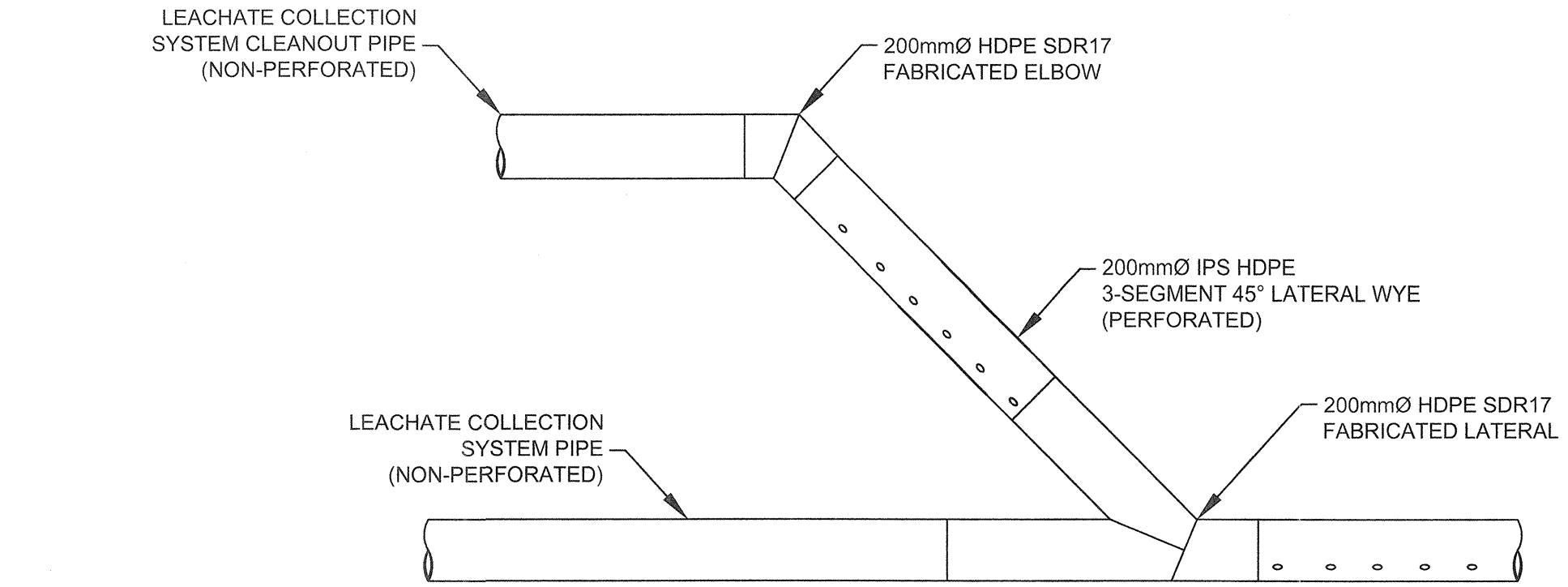
DETAIL 2 LEACHATE COLLECTION SYSTEM PIPE AND SWALE (TYPICAL)  
1:30 SHT-07



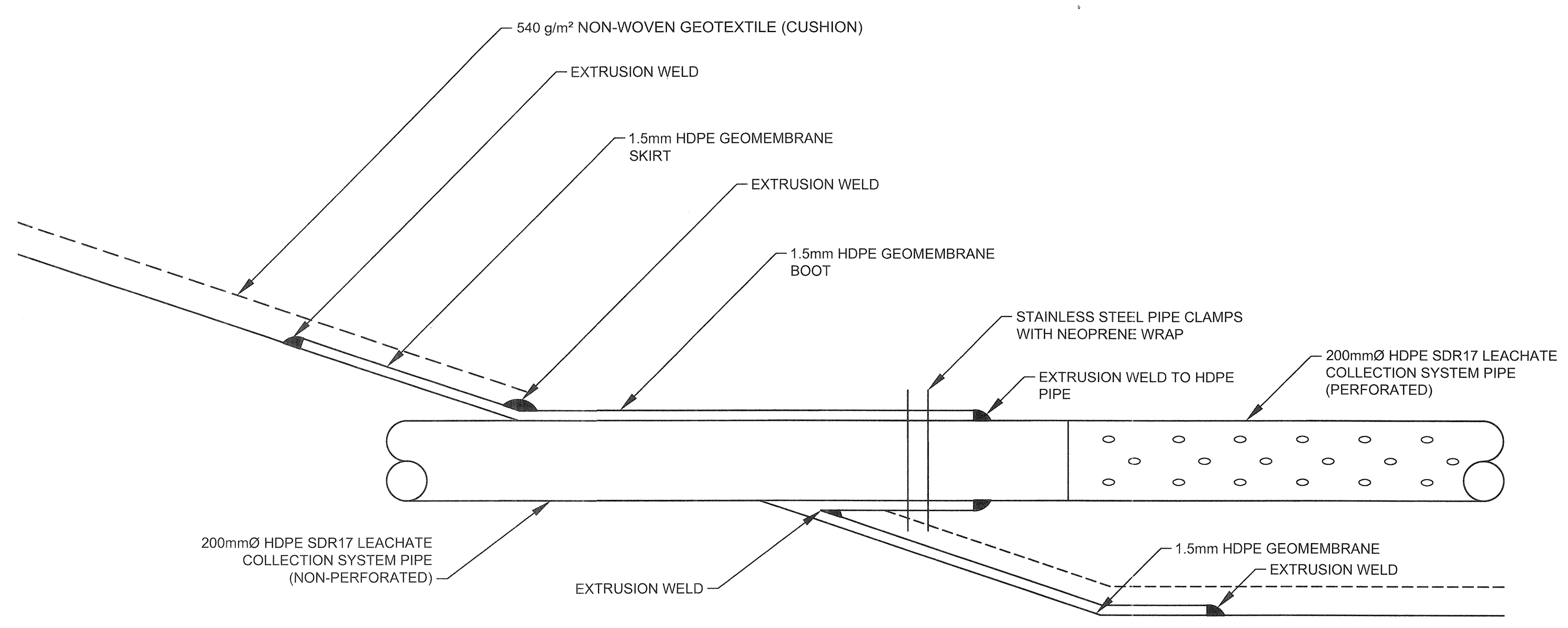
DETAIL 3 LINER SYSTEM (TOE OF SLOPE)  
1:30 SHT-07



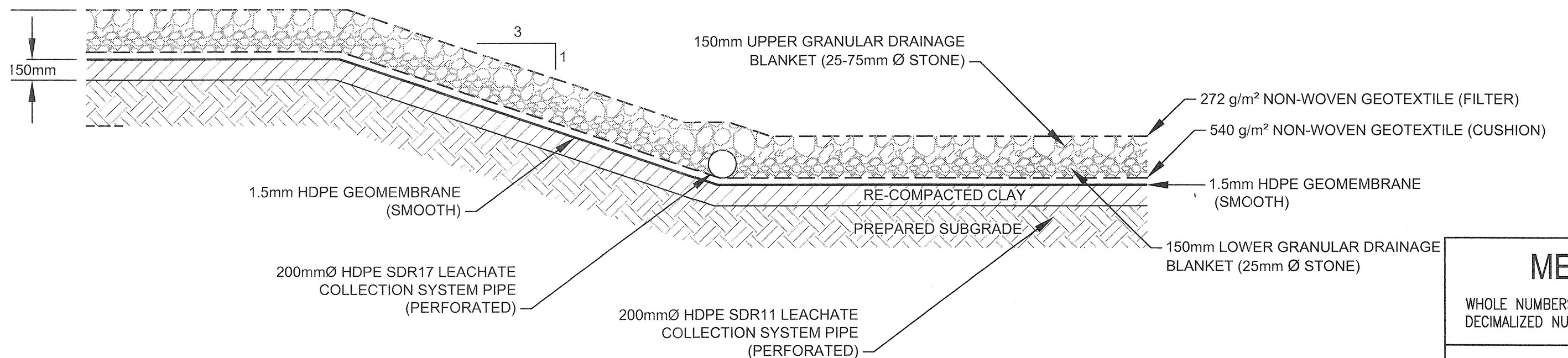
DETAIL 4 200mmØ LEACHATE COLLECTION SYSTEM PIPE PERFORATIONS  
NTS SHT-08



DETAIL 5 LEACHATE COLLECTION SYSTEM CLEANOUT RISER PIPE TO LEACHATE COLLECTION SYSTEM PIPE (IN TRENCH)  
1:20 SHT-08



DETAIL 6 HDPE GEOMEMBRANE BOOT  
NTS SHT-08



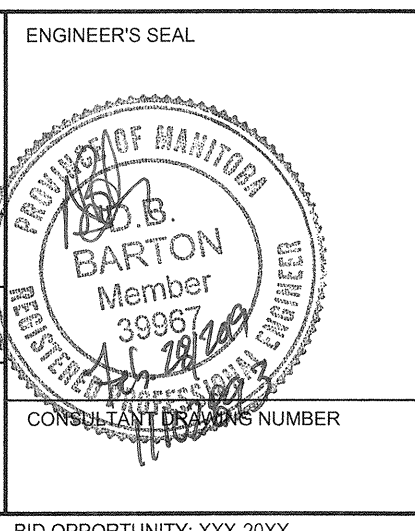
DETAIL 7 LEACHATE COLLECTION SYSTEM PIPE ALONG CELL 34A / CELL 34B DIVIDER BERM  
1:20 SHT-15

**METRIC**  
WHOLE NUMBERS INDICATE MILLIMETRES  
DECIMALIZED NUMBERS INDICATE METRES

**WARNING**  
1. NOTIFY THE GAS COMPANY OF THE PROPOSED LOCATION OF EXCAVATION.  
2. TAKE PRECAUTION TO AVOID DAMAGE TO GAS COMPANY INSTALLATIONS.  
3. SEE PROVINCIAL REGULATION 210/72 FOR DETAILS.

LOCATION APPROVED UNDERGROUND STRUCTURES		B.M. ELEV.
CONSTRUCTION COMPLETION DATE: YYYY MM DD		
SUPV. U/G STRUCTURES COMMITTEE	DATE	
NOTE: LOCATION OF UNDERGROUND STRUCTURES AS SHOWN ARE BASED ON THE BEST INFORMATION AVAILABLE BUT NO GUARANTEE IS GIVEN THAT ALL EXISTING UTILITIES ARE SHOWN OR THAT THE GIVEN LOCATIONS ARE EXACT. CONFIRMATION OF EXISTENCE AND EXACT LOCATION OF ALL SERVICES MUST BE OBTAINED FROM THE INDIVIDUAL UTILITIES BEFORE PROCEEDING WITH CONSTRUCTION.		
1	ISSUED FOR TENDER	02/25/2019 DB
NO.	REVISIONS	DATE BY

GHD 651 Colby Drive Waterloo Ontario N2V 1C2 Canada T 519 884 0510 F 519 884 0525 W www.ghd.com	
DESIGNED BY D. BARTON	CHECKED BY M. ZUCKWEILER
DRAWN BY K. DHALIWAL	APPROVED BY D. BARTON
SCALE: HORIZONTAL AS SHOWN	RELEASED FOR CONSTRUCTION
DATE 2019 02 27	DATE



**THE CITY OF WINNIPEG**  
WATER AND WASTE DEPARTMENT  
SOLID WASTE SERVICES

BRADY ROAD RESOURCE MANAGEMENT FACILITY (BRRMF)  
AREA A CONSTRUCTION  
LINER AND LEACHATE COLLECTION SYSTEM DETAILS

SHEET 19 OF 29  
CITY DRAWING NUMBER  
1-0400A- C0062-001