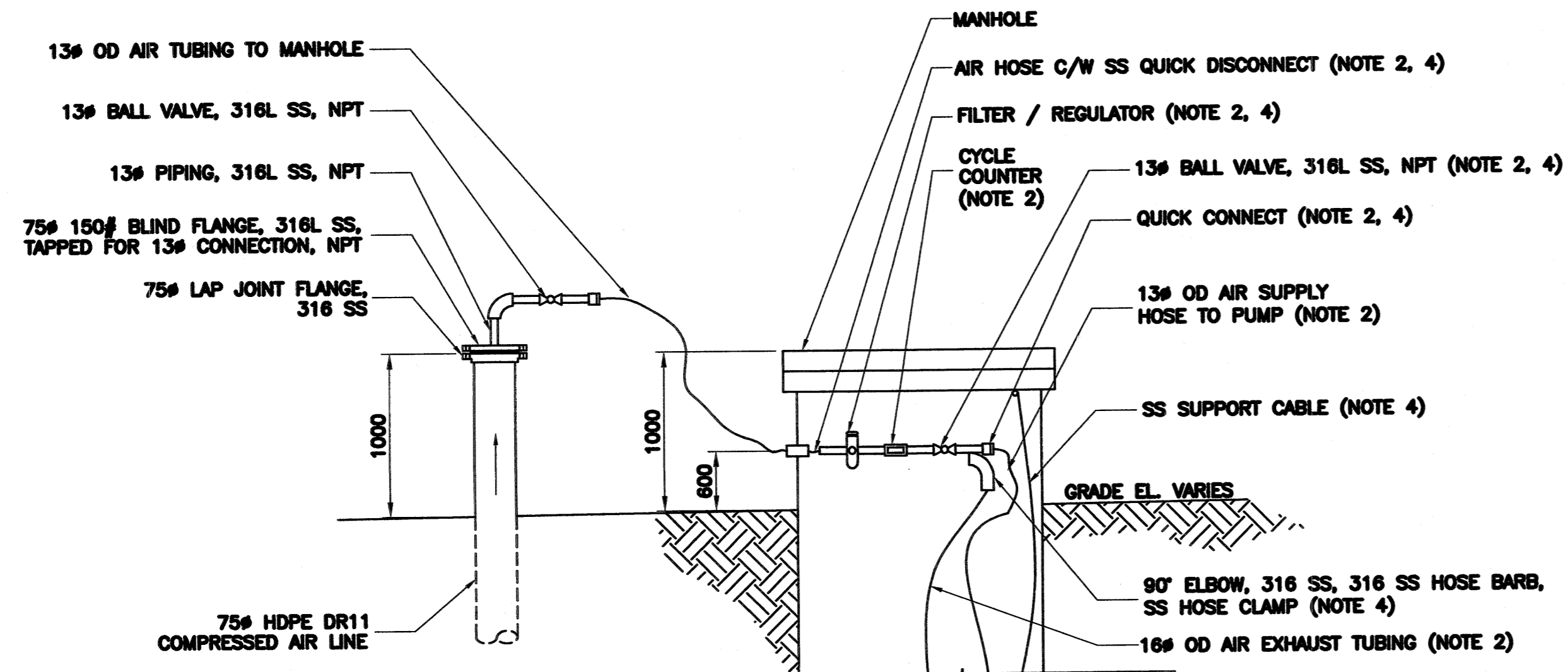
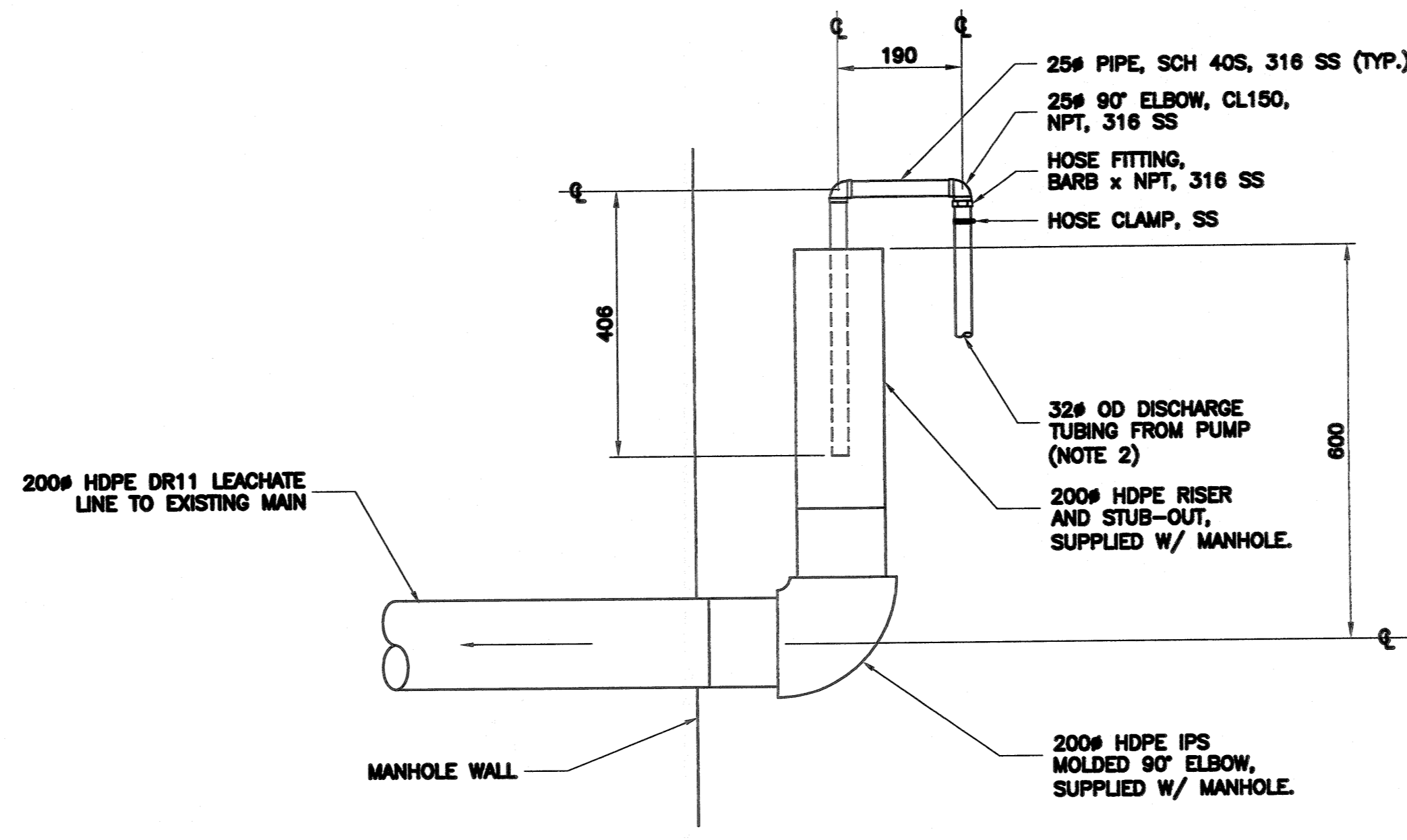


**GENERAL NOTES:**

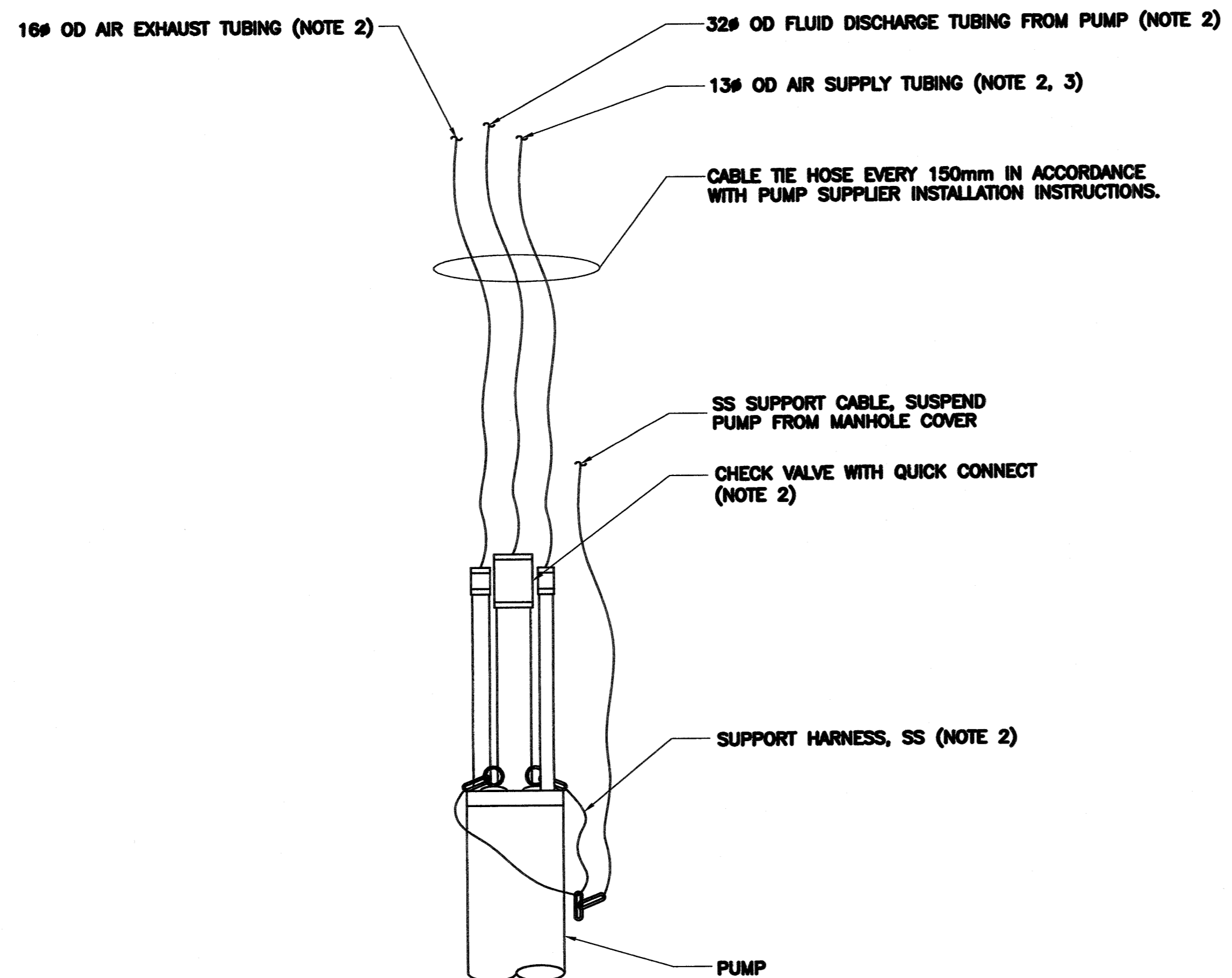
1. REFER TO SHT. 23 FOR MECHANICAL GENERAL NOTES.
2. SUPPLIED WITH PUMP.
3. PROVIDE SUFFICIENT LENGTH OF TUBING TO ALLOW REMOVAL OF PUMP FROM SUMP.
4. INSTALL INSIDE MANHOLE NEAR COVER, SECURE TO WALL.
5. ALL DETAILS ARE TYPICAL FOR CELL 32, 33 AND 34 U.N.O.



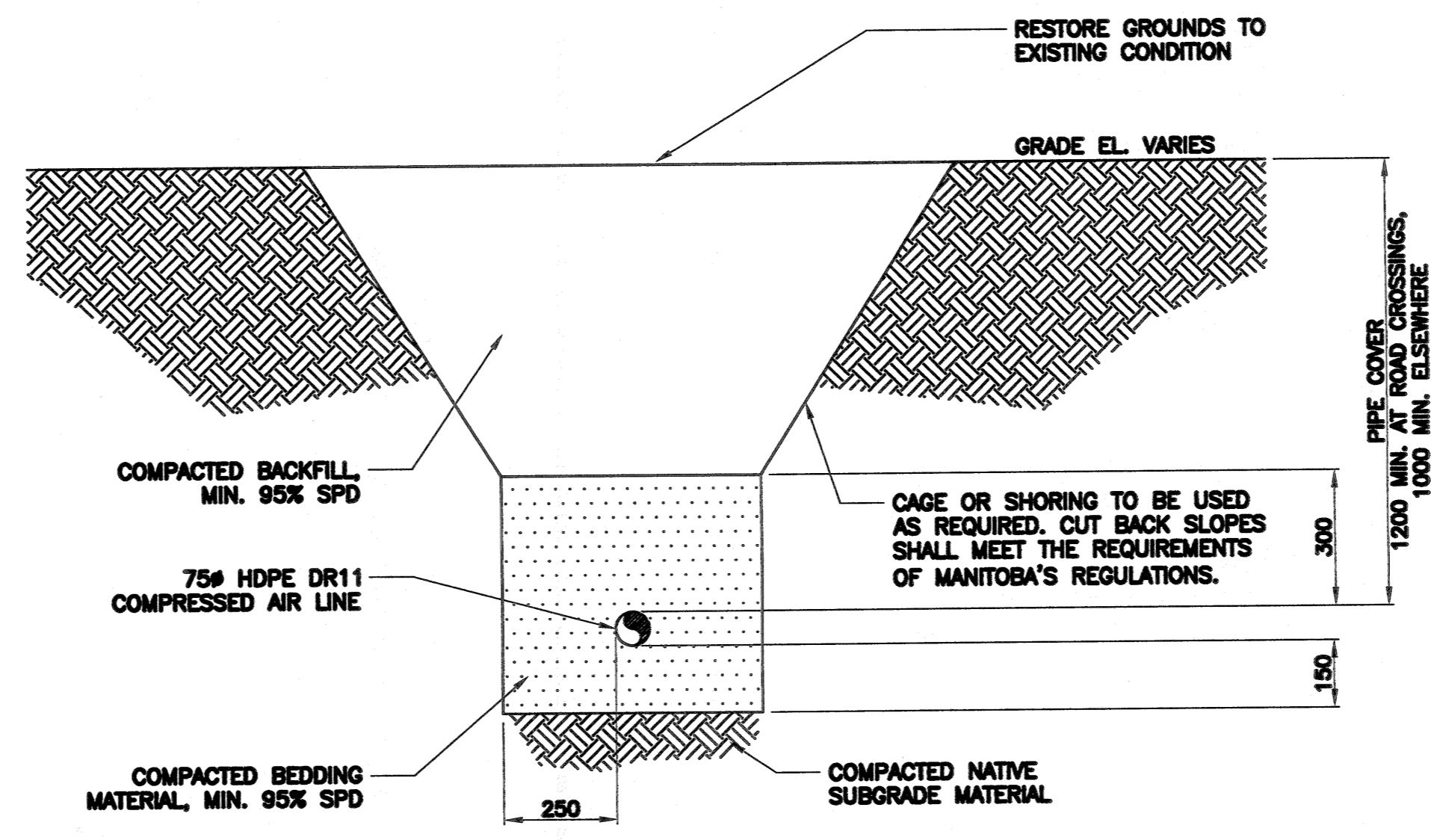
**1** **DETAIL - COMPRESSED AIR SUPPLY**  
SCALE: NTS



**3** **DETAIL - LEACHATE DISCHARGE FROM MANHOLE**  
SCALE: NTS



**2** **DETAIL - MANHOLE PUMP**  
SCALE: NTS



**4** **DETAIL - COMPRESSED AIR PIPE TRENCH**  
SCALE: N.T.S.



**METRIC**  
WHOLE NUMBERS INDICATE MILLIMETRES  
DECIMALIZED NUMBERS INDICATE METRES

KGS Group  
No. 245

LOCATION APPROVED UNDERGROUND STRUCTURES		B.M. ELEV.
SUPPLY U/G STRUCTURES COMMITTEE DATE		CONSTRUCTION COMPLETION DATE: YYYY MM DD
NOTE: LOCATION OF UNDERGROUND STRUCTURES AS SHOWN ARE BASED ON THE BEST INFORMATION AVAILABLE BUT NO GUARANTEE IS GIVEN THAT ALL EXISTING UTILITIES ARE SHOWN OR THAT THE GIVEN LOCATIONS ARE EXACT. CONFIRMATION OF EXISTENCE AND EXACT LOCATION OF ALL SERVICES MUST BE OBTAINED FROM THE INDIVIDUAL UTILITIES BEFORE PROCEEDING WITH CONSTRUCTION.		DESIGNED BY: MSK
0 ISSUED FOR CONSTRUCTION 2019 01 03		CHECKED BY: KLU 2019.03.01
NO. REVISIONS DATE BY		DRAWN BY: ML
		SCALE: HORIZONTAL AS NOTED
		VERTICAL AS NOTED
		DATE: 2018 18 12
		DATE: 2018 18 12
		DATE: 2019 03 01

**KGS GROUP**  
CONSULTING ENGINEERS & PROJECT MANAGERS  
WINNIPEG (204) 896-1209  
THUNDER BAY (807) 345-2233

DESIGNED BY: MSK  
CHECKED BY: KLU 2019.03.01  
DRAWN BY: ML  
APPROVED BY: MKR  
SCALE: HORIZONTAL AS NOTED  
VERTICAL AS NOTED  
DATE: 2018 18 12  
DATE: 2018 18 12  
DATE: 2019 03 01

ENGINEER'S SEAL  
PROVINCE OF MANITOBA  
M.S. KOZARSKY  
Member 23991  
CONSULTANT DRAWING NUMBER  
15-0107-014\_M18

**THE CITY OF WINNIPEG**  
WATER AND WASTE DEPARTMENT  
ENGINEERING DIVISION

BRADY ROAD RESOURCE MANAGEMENT FACILITY (BRRMF) AREA A CONSTRUCTION

MECHANICAL DETAILS

SHEET 27 OF 27  
CITY DRAWING NUMBER  
1-0400A-M0021-001