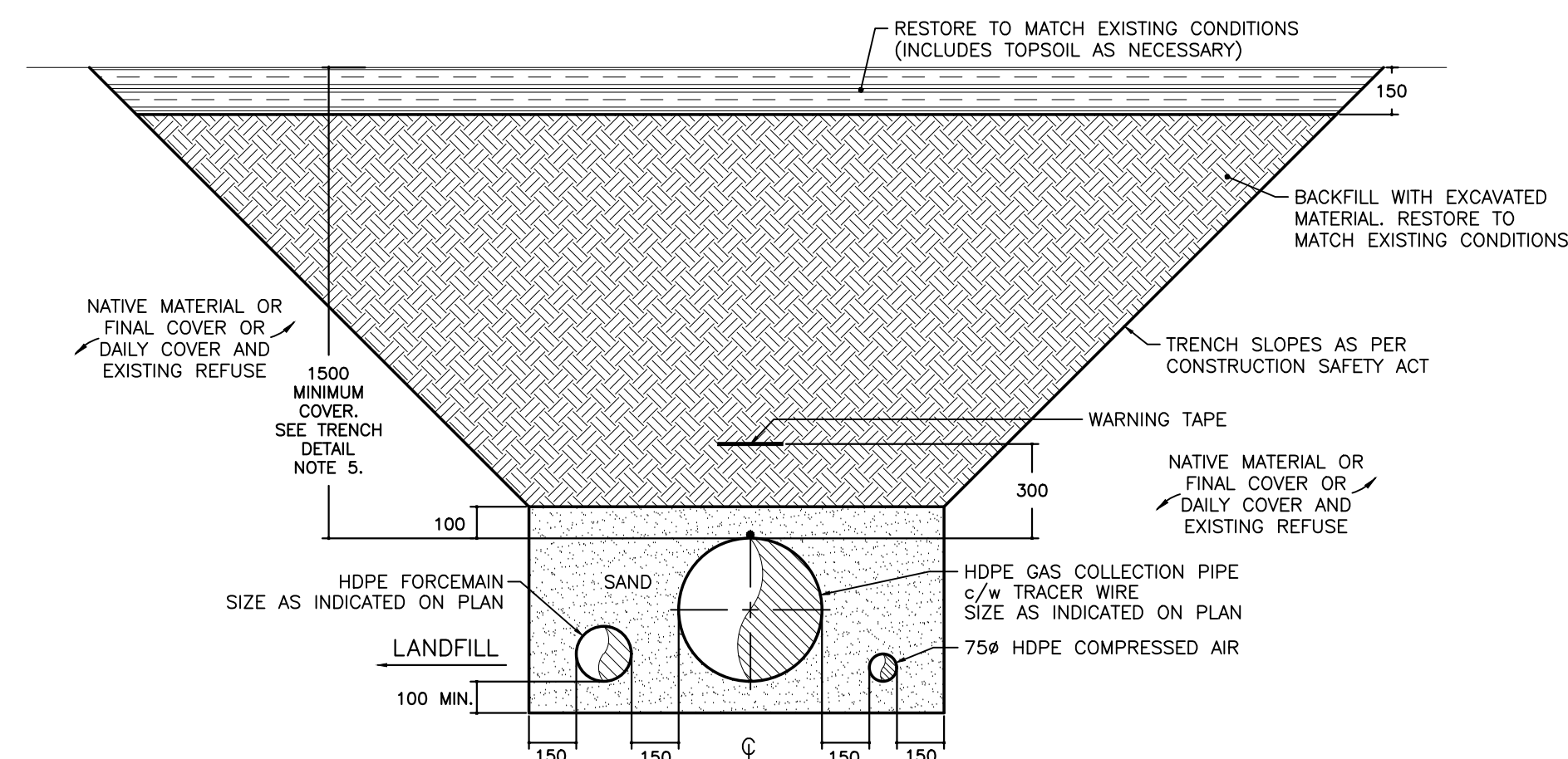
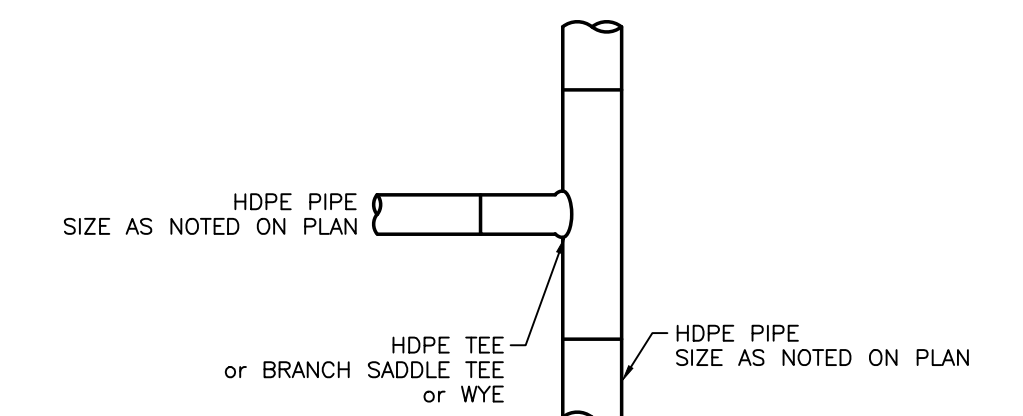


FORCEMAIN PIPING TRENCH DETAIL W1301-1
SEE SCALE BAR

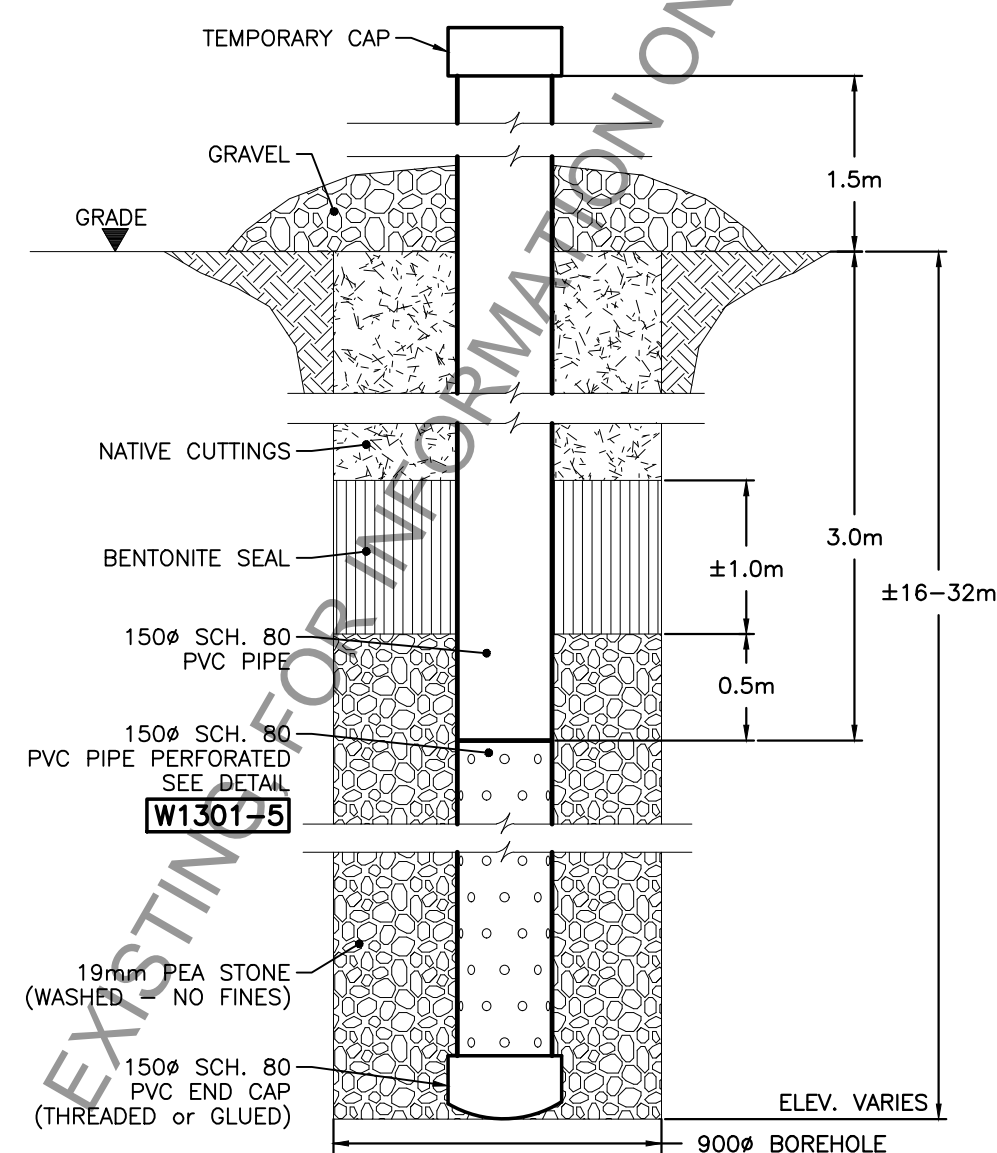
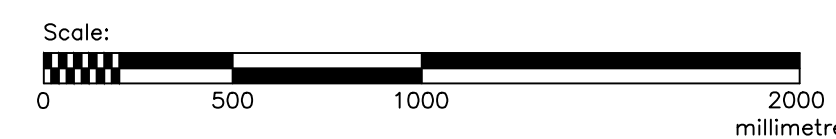


THREE (3) PIPE TRENCH W1301-2
SEE SCALE BAR

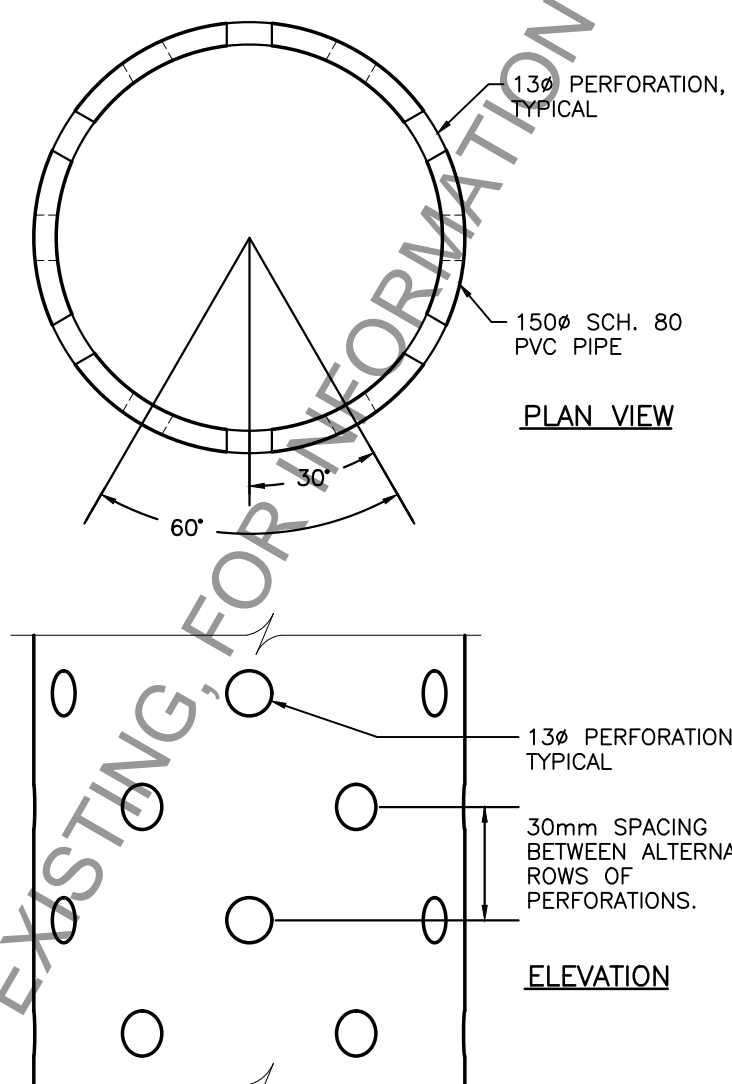


TYPICAL HDPE PIPE CONNECTION W1301-3
SEE SCALE BAR

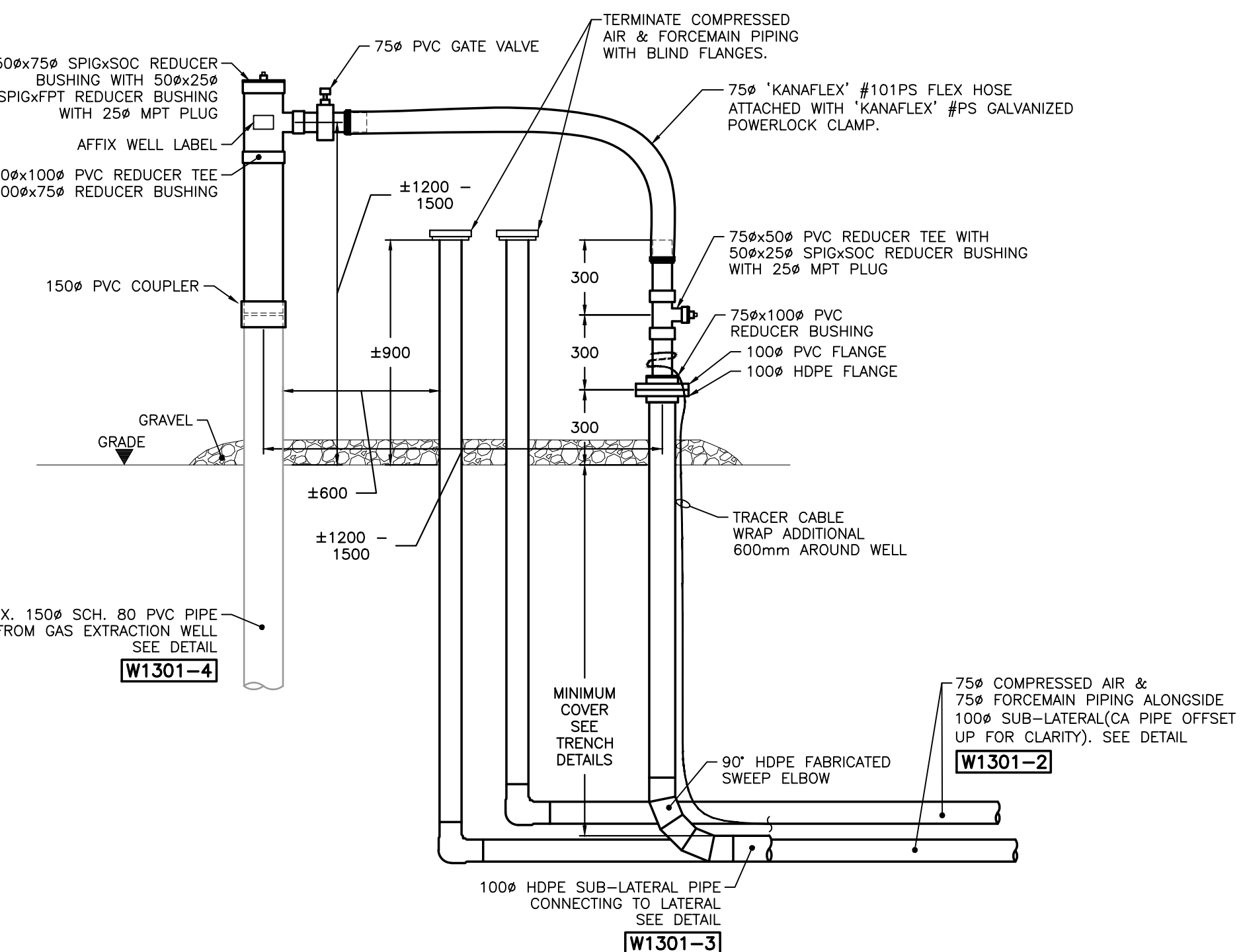
- TRENCH DETAIL NOTES:**
1. THIS CONTRACTOR IS RESPONSIBLE FOR THE REPAIR OF ANY EXISTING SUBSURFACE PIPING DAMAGED DURING THE INSTALLATION OF NEW PIPING.
 2. WHERE ENCOUNTERED, RE-COMPACT CLAY COVER TO 95% S.P.D.
 3. SAND PIPE BEDDING EXCEPT AT ALL ROAD CROSSINGS WHERE PIPE BEDDING TO BE UNSHRINKABLE FILL. FILL TO EXTEND 2m PAST ROAD EDGES.
 4. TRENCHES CONTAINING FORCEMAIN PIPING BUT NOT LANDFILL GAS PIPING MUST BE INSTALLED TO MAINTAIN A MINIMUM COVER OF 2.5m, BUT DO NOT NEED TO BE SLOPED UNLESS NOTED OTHERWISE.
 5. IN TRENCHES CONTAINING LANDFILL GAS, FORCEMAIN AND COMPRESSED AIR PIPING, INSULATE FORCEMAIN PIPING WHEN LESS THAN 2.0m BELOW GROUND SURFACE.



EX. LANDFILL GAS EXTRACTION WELL INSTALLATION W1301-4
Not to Scale



EX. PIPING PERFORATION DETAIL W1301-5
Not to Scale

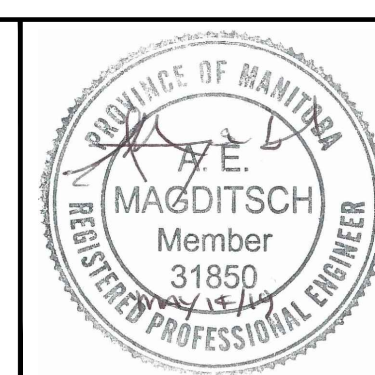
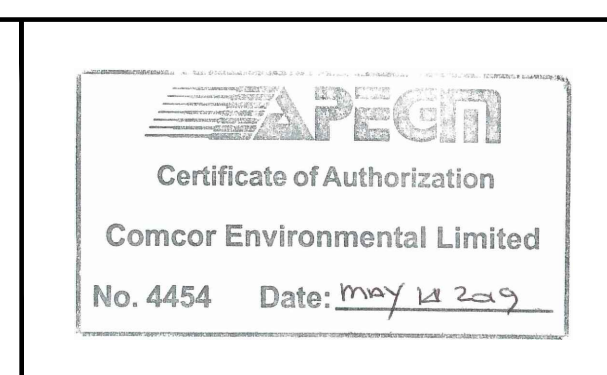


TYPICAL LANDFILL GAS EXTRACTION WELL VALVE AND MONITORING PORT ASSEMBLY W1301-6
SCALE: 1:20

NO.	REVISION	DATE	BY
1	ISSUED FOR REVIEW	Apr. 5, 2019	JDP
2	ISSUED FOR TENDER	May 14, 2019	JDP

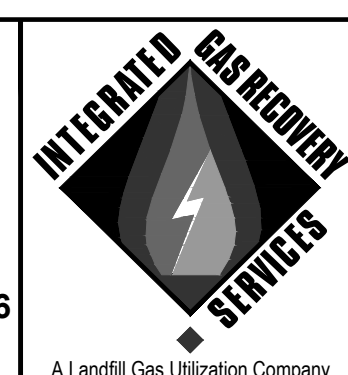
NOTES:

1. ALL DIMENSIONS ARE IN MILLIMETRES UNLESS NOTED OTHERWISE.
2. ALL PIPE SIZES ARE IPS UNLESS NOTED OTHERWISE.
3. ALL HDPE GAS COLLECTION PIPING IS DR17.
4. ALL HDPE COMPRESSED AIR & FORCEMAIN PIPING IS DR11.
5. ALL PVC PIPING IS SCHEDULE 80.
6. PROVIDE SHOP DRAWINGS FOR APPROVAL OF THE ENGINEER PRIOR TO FABRICATION OR CONSTRUCTION.



PROJECT NUMBER: 9-508
DATE: APRIL, 2019
SCALE: SEE SCALE BAR
DESIGNED BY: JDP
DRAWN BY: JDP
CHECKED BY: AEM

COMCOR ENVIRONMENTAL LIMITED
Consulting Engineers and Landfill Gas Specialists
320 Pinebush Road, Suite 12, Cambridge, Ontario N1T 1Z6
tel (519) 621-6669 • fax (519) 621-9944



City of Winnipeg
Brady Road
Resource Management Facility

EXPANSION OF LFG SOUTHERN HEADER AND LEACHATE COLLECTION SYSTEM
CITY DWG NO. 1-0400A-C0054-001 COMCOR DWG NO. W1301
TRENCH & SYSTEM DETAILS