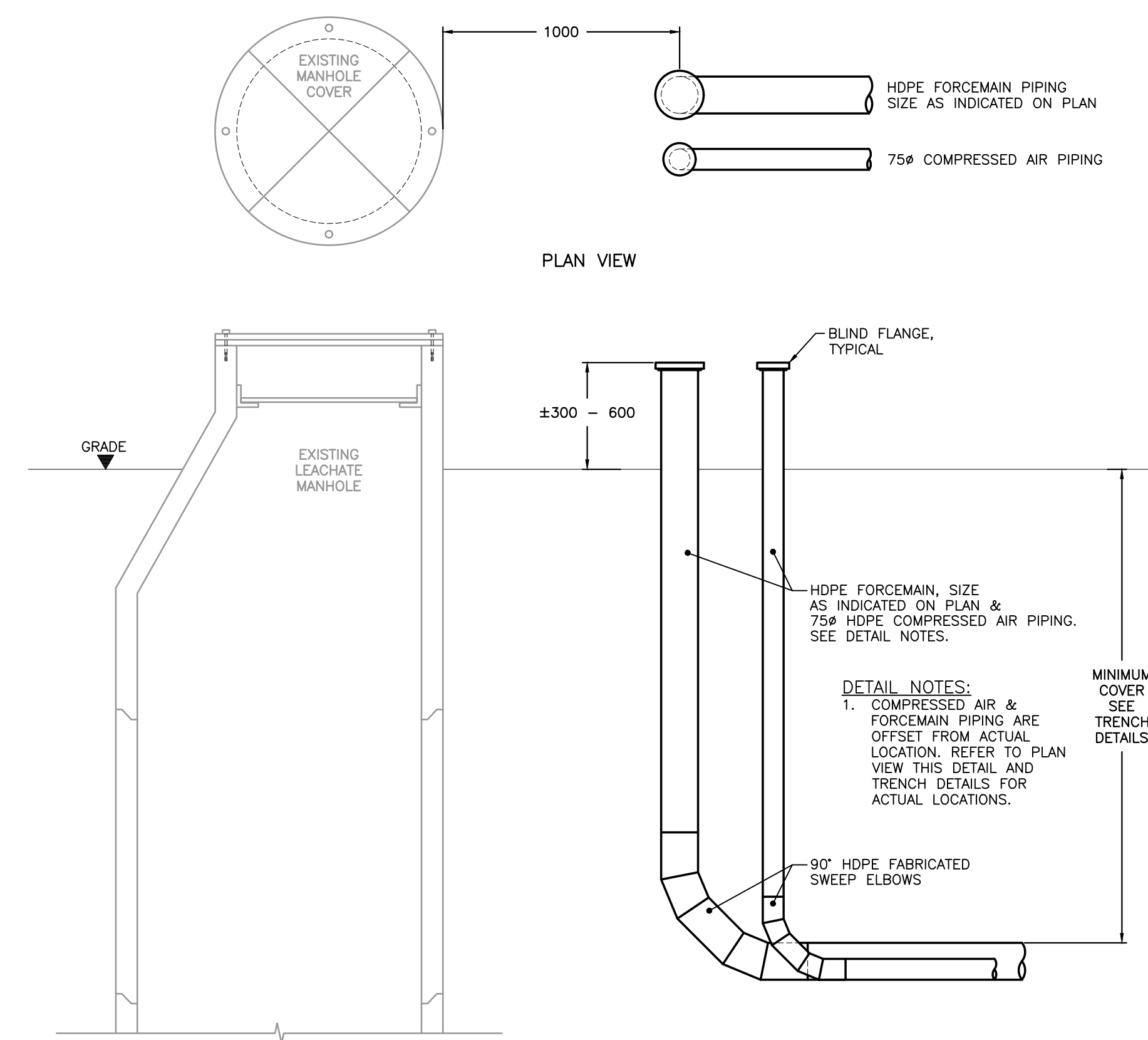


**DETAIL NOTES:**  
 1. SEE VALVE SCHEDULE, THIS DETAIL, FOR VALVE REQUIREMENTS AT EACH FLOW CONTROL ASSEMBLY.  
 2. COMPRESSED AIR & FORCEMAIN PIPING ARE OFFSET FROM ACTUAL LOCATION. REFER TO PLAN VIEW THIS DETAIL AND TRENCH DETAILS FOR ACTUAL LOCATIONS.

FLOW CONTROL	LANDFILL GAS	COMPRESSED AIR	FORCEMAIN/CONDENSATE
FCSH	450#	75#	150#
FCEH	450#	75#	75#
FC6S	250#	75#	75#
FC7S	250#	75#	75#
FCAC1		75#	
FCMH32			75#

**VALVE SCHEDULE NOTES:**  
 1. 75# ISOLATION VALVE FCMH32 SHALL BE LOCATED ON EXISTING 75# WELLFIELD FORCEMAIN LINE ONLY.  
 2. ADDITIONAL VALVES REQUIRED AT PUMP DRAIN TRAPS. SEE DRAWING W1303 FOR DETAILS.



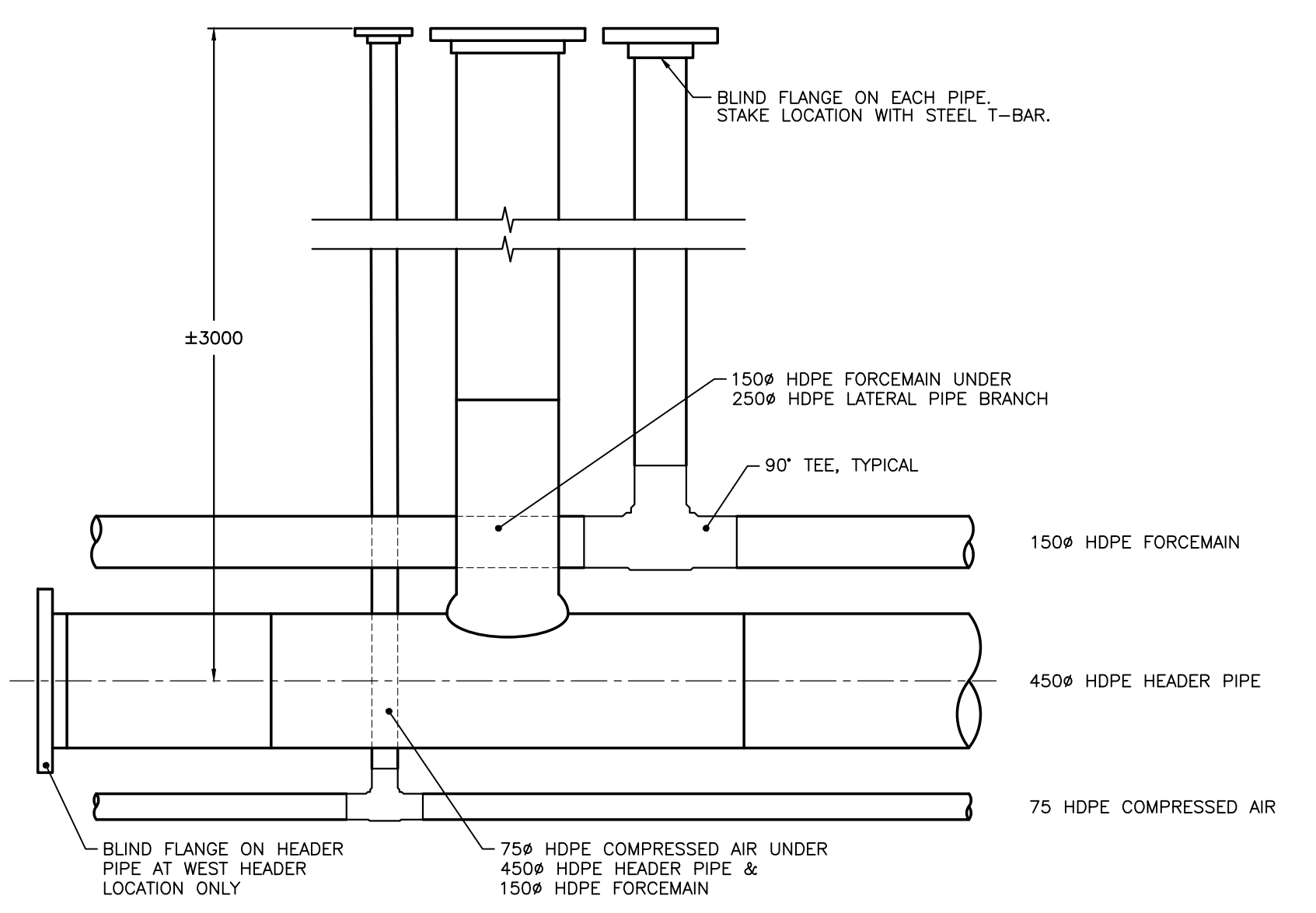
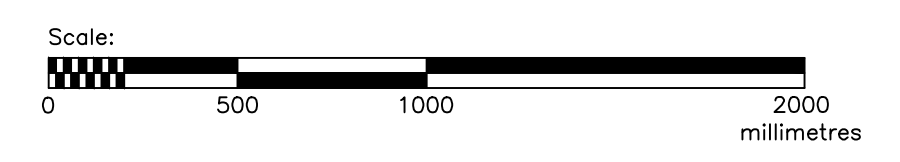
**DETAIL NOTES:**  
 1. COMPRESSED AIR & FORCEMAIN PIPING ARE OFFSET FROM ACTUAL LOCATION. REFER TO PLAN VIEW THIS DETAIL AND TRENCH DETAILS FOR ACTUAL LOCATIONS.

TYPICAL FLOW CONTROL ASSEMBLY (FC) DETAIL  
 SEE SCALE BAR

W1302-1

TYPICAL FORCEMAIN AND COMPRESSED AIR PIPING TERMINATIONS  
 SEE SCALE BAR

W1302-2

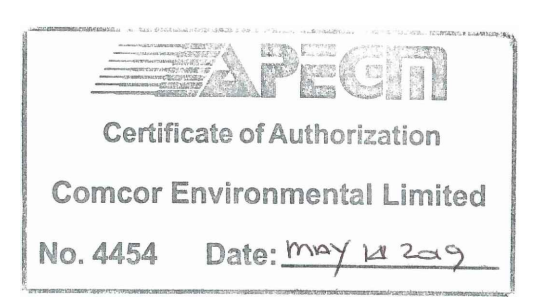


HEADER PIPE STUB CONNECTION DETAIL  
 SEE SCALE BAR

W1302-3

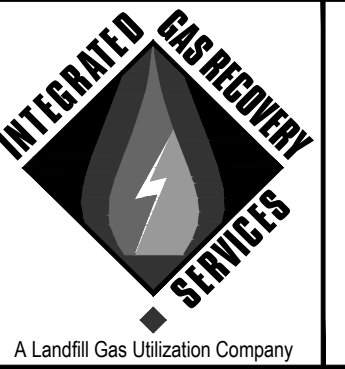
NO.	REVISION	DATE	BY
1	ISSUED FOR REVIEW	Apr. 5, 2019	JDP
2	ISSUED FOR TENDER	May 14, 2019	JDP

**NOTES:**  
 1. ALL DIMENSIONS ARE IN MILLIMETRES UNLESS NOTED OTHERWISE.  
 2. ALL PIPE SIZES ARE IPS UNLESS NOTED OTHERWISE.  
 3. ALL HDPE GAS COLLECTION PIPING IS DR17.  
 4. ALL HDPE COMPRESSED AIR & FORCEMAIN PIPING IS DR11.  
 5. ALL PVC PIPING IS SCHEDULE 80.  
 6. PROVIDE SHOP DRAWINGS FOR APPROVAL OF THE ENGINEER PRIOR TO FABRICATION OR CONSTRUCTION.



PROJECT NUMBER: 9-508  
 DATE: APRIL, 2019  
 SCALE: SEE SCALE BAR  
 DESIGNED BY: JDP  
 DRAWN BY: JDP  
 CHECKED BY: AEM

**COMCOR ENVIRONMENTAL LIMITED**  
 Consulting Engineers and Landfill Gas Specialists  
 320 Pinebush Road, Suite 12, Cambridge, Ontario N1T 1Z6  
 tel (519) 621-6669 • fax (519) 621-9944



City of Winnipeg  
 Brady Road  
 Resource Management  
 Facility

EXPANSION OF LFG SOUTHERN HEADER AND LEACHATE COLLECTION SYSTEM  
 CITY DWG NO. 1-0400A-C0055-001 COMCOR DWG NO. W1302  
 SYSTEM DETAILS