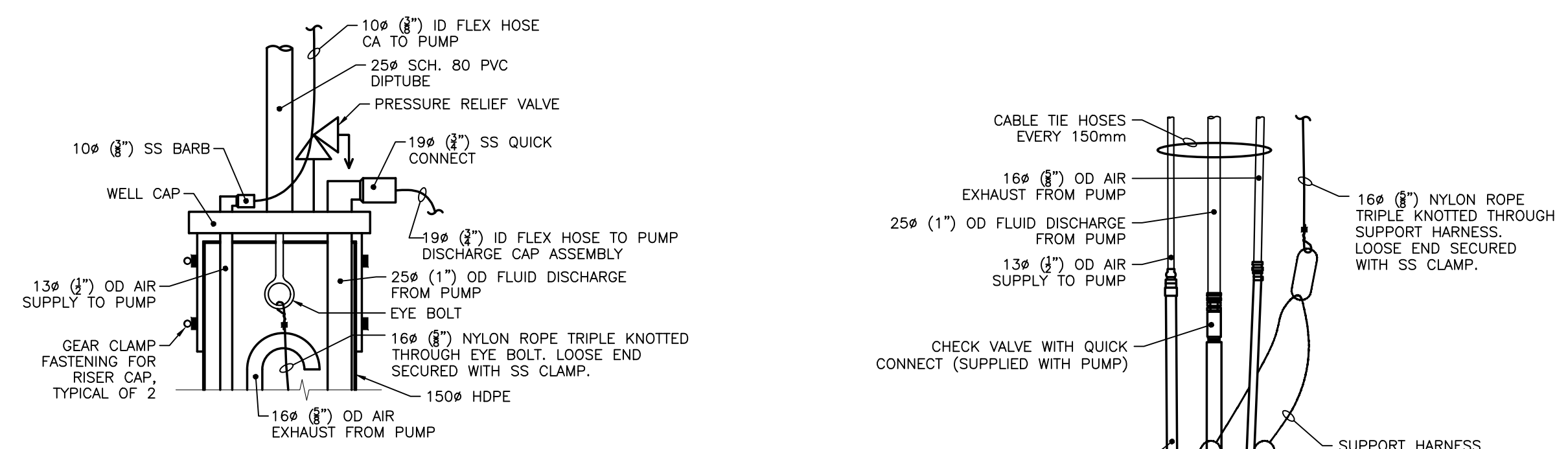
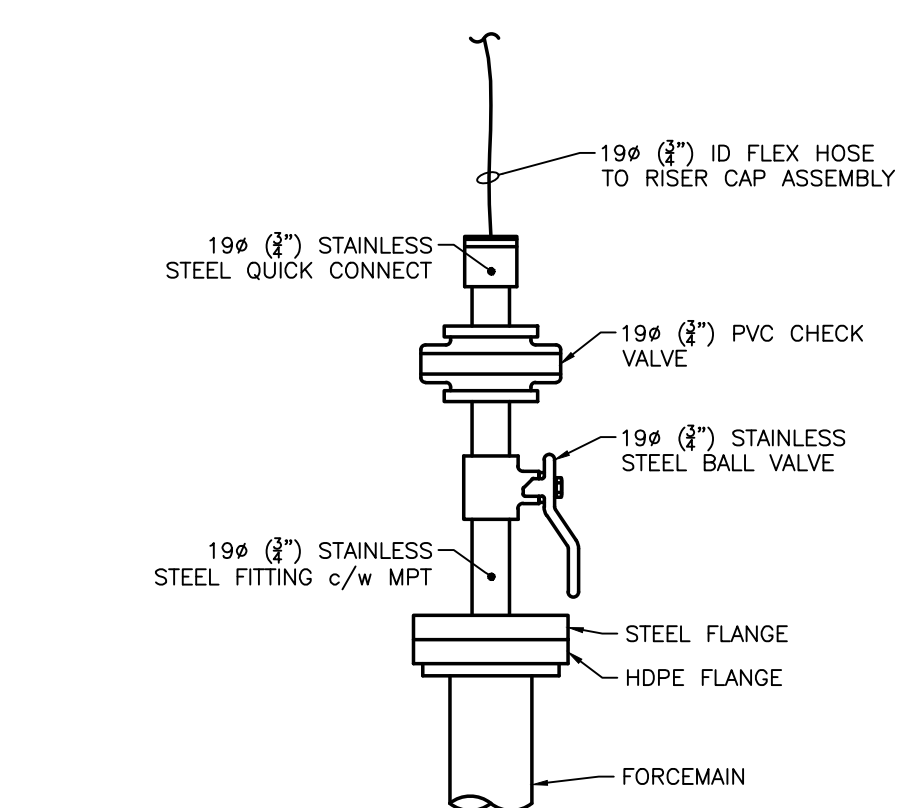


Friday, May 10, 2019 2:50:08 PM
 Y:\ACAD\Projects\Civil\3D\Brady Road 2019 South Header Expansion\006\2\Models\Detail\Brady Road 2019 South Header Expansion - 588-2 - W1300 Rev2a.dwg



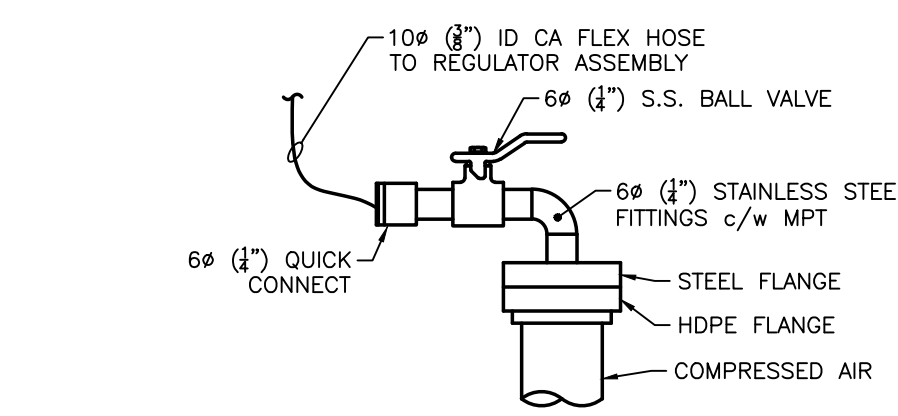
RISER CAP ASSEMBLY W1303-1
 Not to Scale

PUMP ASSEMBLY W1303-5
 Not to Scale

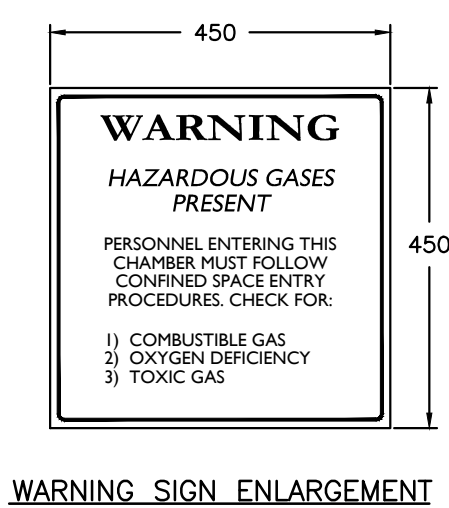


FORCEMAIN CAP ASSEMBLY W1303-2
 Not to Scale

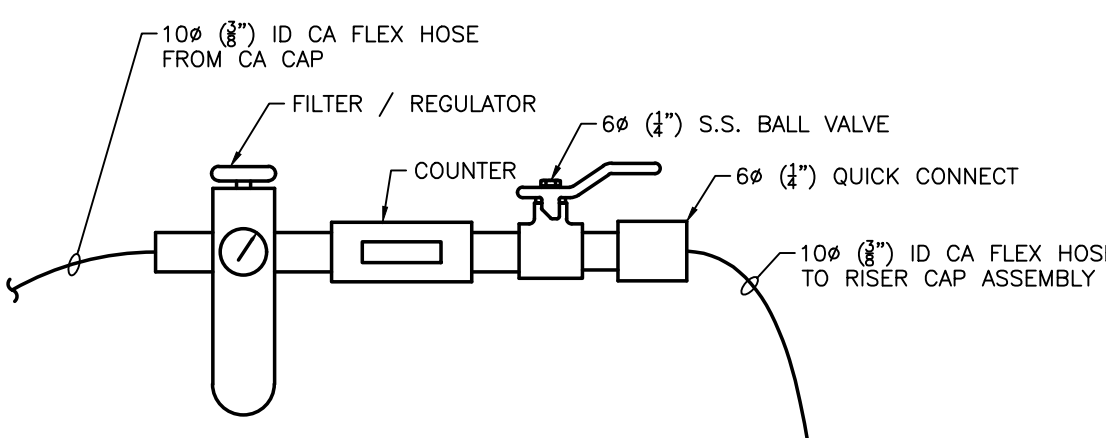
DETAIL NOTES:
 1. PROVIDE SUFFICIENT LENGTH OF HOSES TO ALLOW REMOVAL OF PUMP FROM ABOVE GROUND.
 2. NYLON ROPE FOR PUMP REMOVAL ATTACHED TO WELLCAP EYE BOLT.



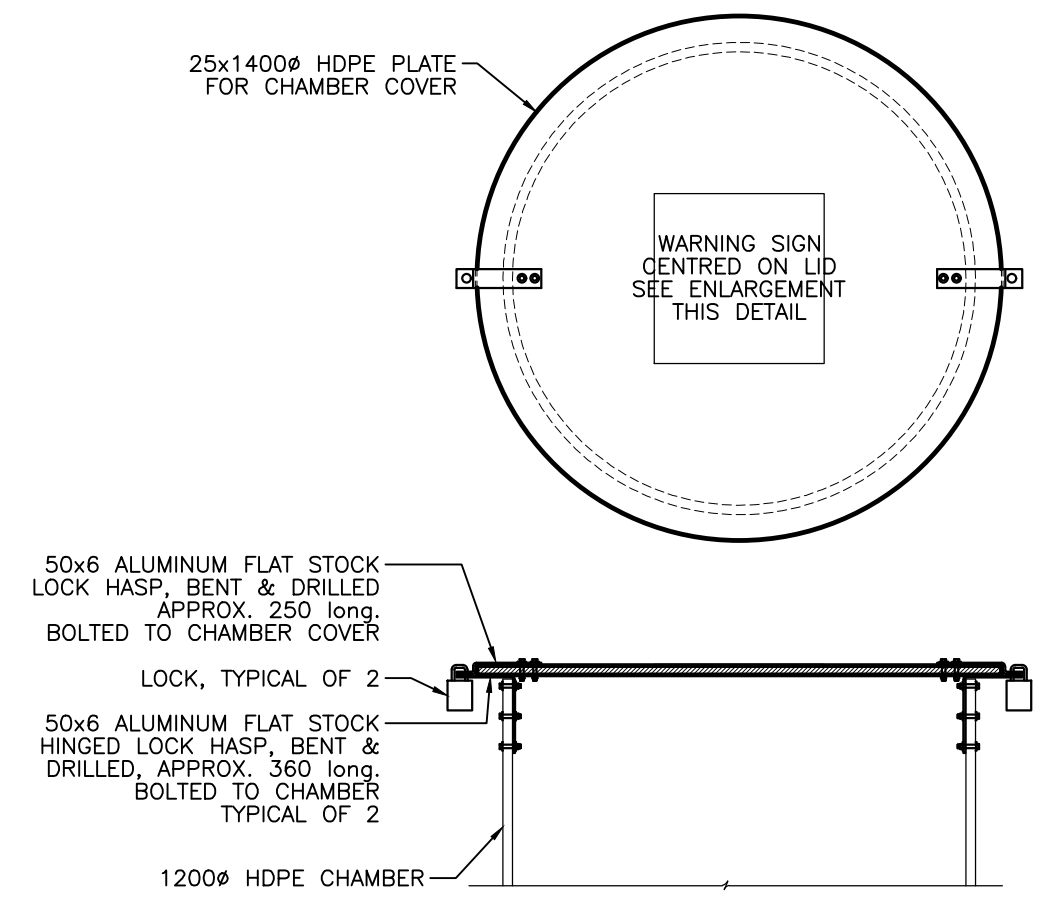
COMPRESSED AIR CAP ASSEMBLY W1303-3
 Not to Scale



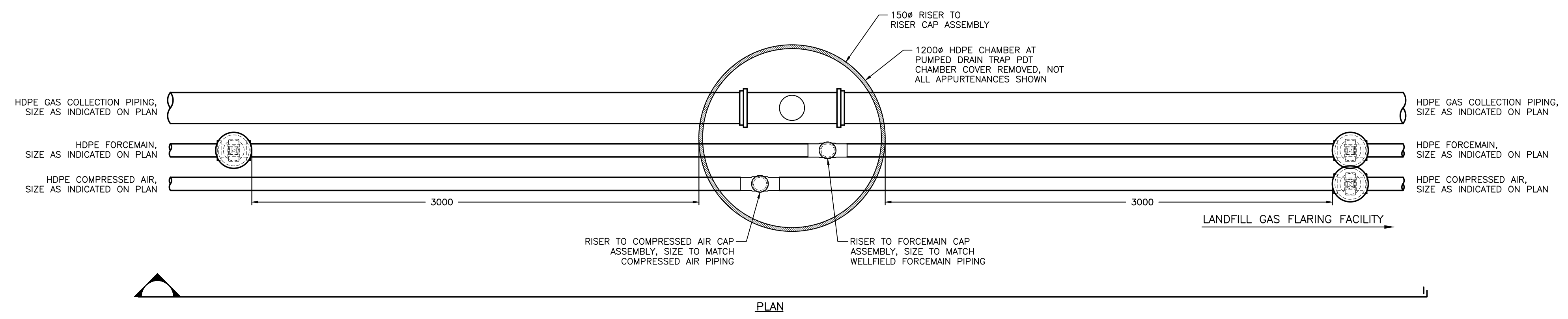
WARNING SIGN ENLARGEMENT



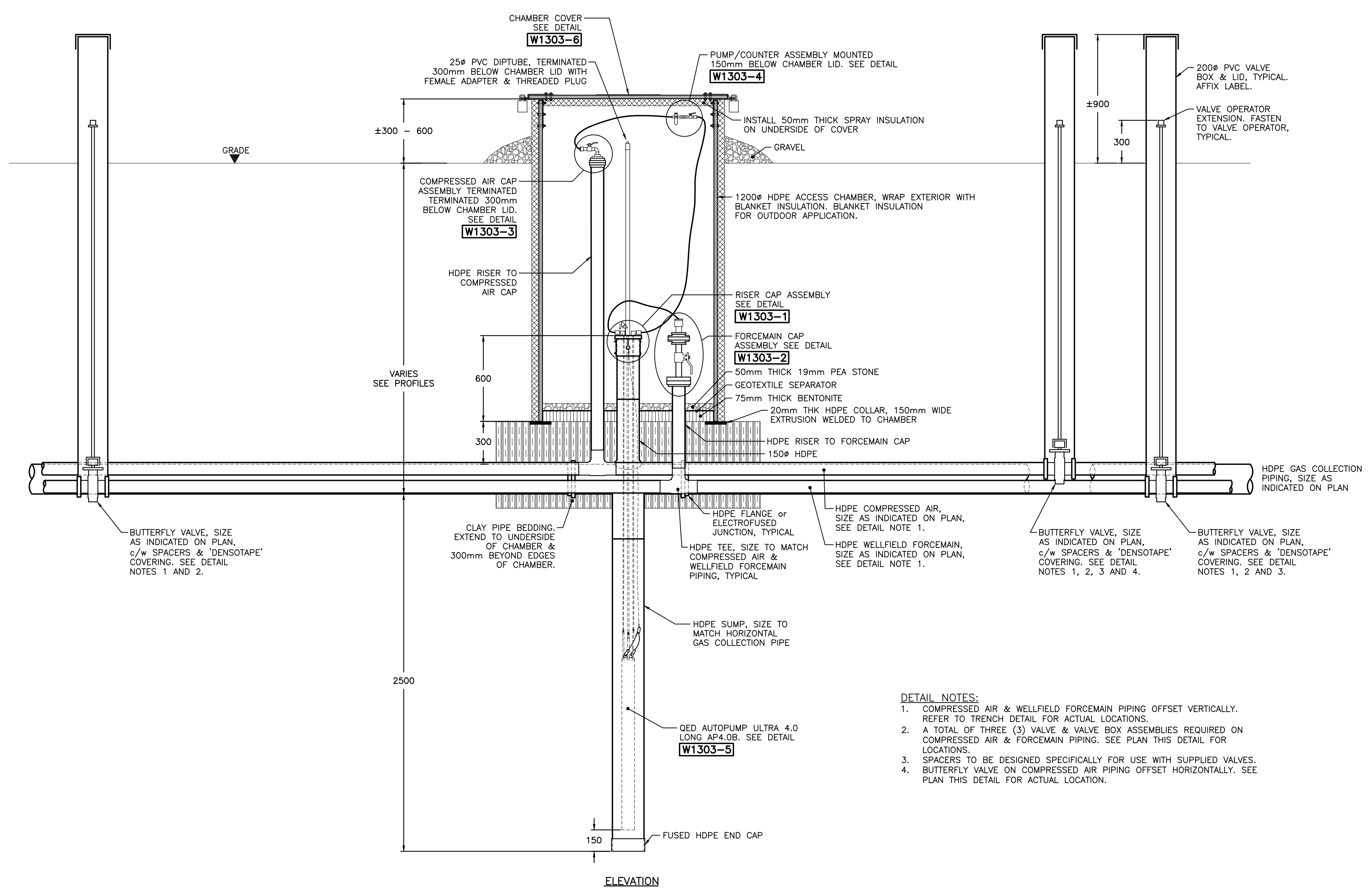
PUMP COUNTER AND FILTER / REGULATOR ASSEMBLY W1303-4
 Not to Scale



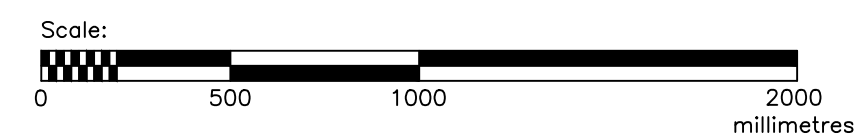
CHAMBER COVER W1303-6
 SCALE: 1:20



PLAN



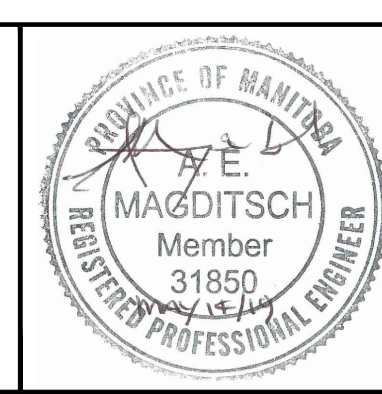
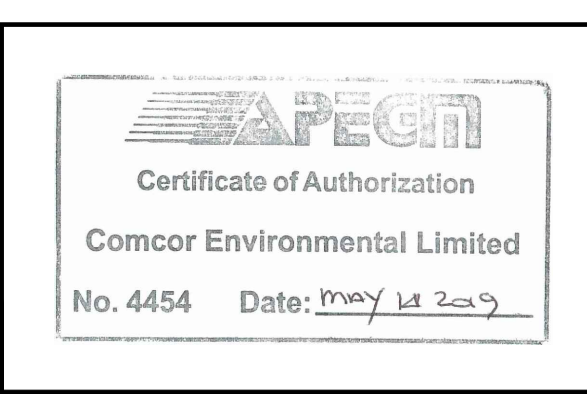
PUMPED CONDENSATE DRAIN TRAP (PDT) DETAIL W1303-7
 SCALE: 1:20



DETAIL NOTES:
 1. COMPRESSED AIR & WELLFIELD FORCEMAIN PIPING OFFSET VERTICALLY. REFER TO TRENCH DETAIL FOR ACTUAL LOCATIONS.
 2. A TOTAL OF THREE (3) VALVE & VALVE BOX ASSEMBLIES REQUIRED ON COMPRESSED AIR & FORCEMAIN PIPING. SEE PLAN THIS DETAIL FOR LOCATIONS.
 3. SPACERS TO BE DESIGNED SPECIFICALLY FOR USE WITH SUPPLIED VALVES.
 4. BUTTERFLY VALVE ON COMPRESSED AIR PIPING OFFSET HORIZONTALLY. SEE PLAN THIS DETAIL FOR ACTUAL LOCATION.

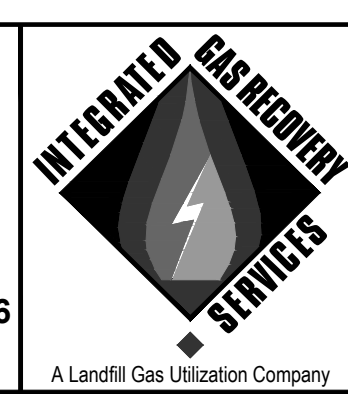
NO.	REVISION	DATE	BY
1	ISSUED FOR REVIEW	Apr. 5, 2019	JDP
2	ISSUED FOR TENDER	May 14, 2019	JDP

NOTES:
 1. ALL DIMENSIONS ARE IN MILLIMETRES UNLESS NOTED OTHERWISE.
 2. ALL PIPE SIZES ARE IPS UNLESS NOTED OTHERWISE.
 3. ALL HDPE GAS COLLECTION PIPING IS DR17.
 4. ALL HDPE COMPRESSED AIR & FORCEMAIN PIPING IS DR11.
 5. ALL PVC PIPING IS SCHEDULE 80.
 6. PROVIDE SHOP DRAWINGS FOR APPROVAL OF THE ENGINEER PRIOR TO FABRICATION OR CONSTRUCTION.



PROJECT NUMBER: 9-508
 DATE: APRIL, 2019
 SCALE: SEE SCALE BAR
 DESIGNED BY: JDP
 DRAWN BY: JDP
 CHECKED BY: AEM

COMCOR
 ENVIRONMENTAL LIMITED
 Consulting Engineers and Landfill Gas Specialists
 320 Pinebush Road, Suite 12, Cambridge, Ontario N1T 1Z6
 tel (519) 621-6669 • fax (519) 621-9944



City of Winnipeg
 Brady Road
 Resource Management
 Facility

EXPANSION OF LFG SOUTHERN HEADER AND LEACHATE COLLECTION SYSTEM
 CITY DWG NO. 1-0400A-C0056-001 COMCOR DWG NO. W1303
 PUMP DRAIN TRAP DETAILS